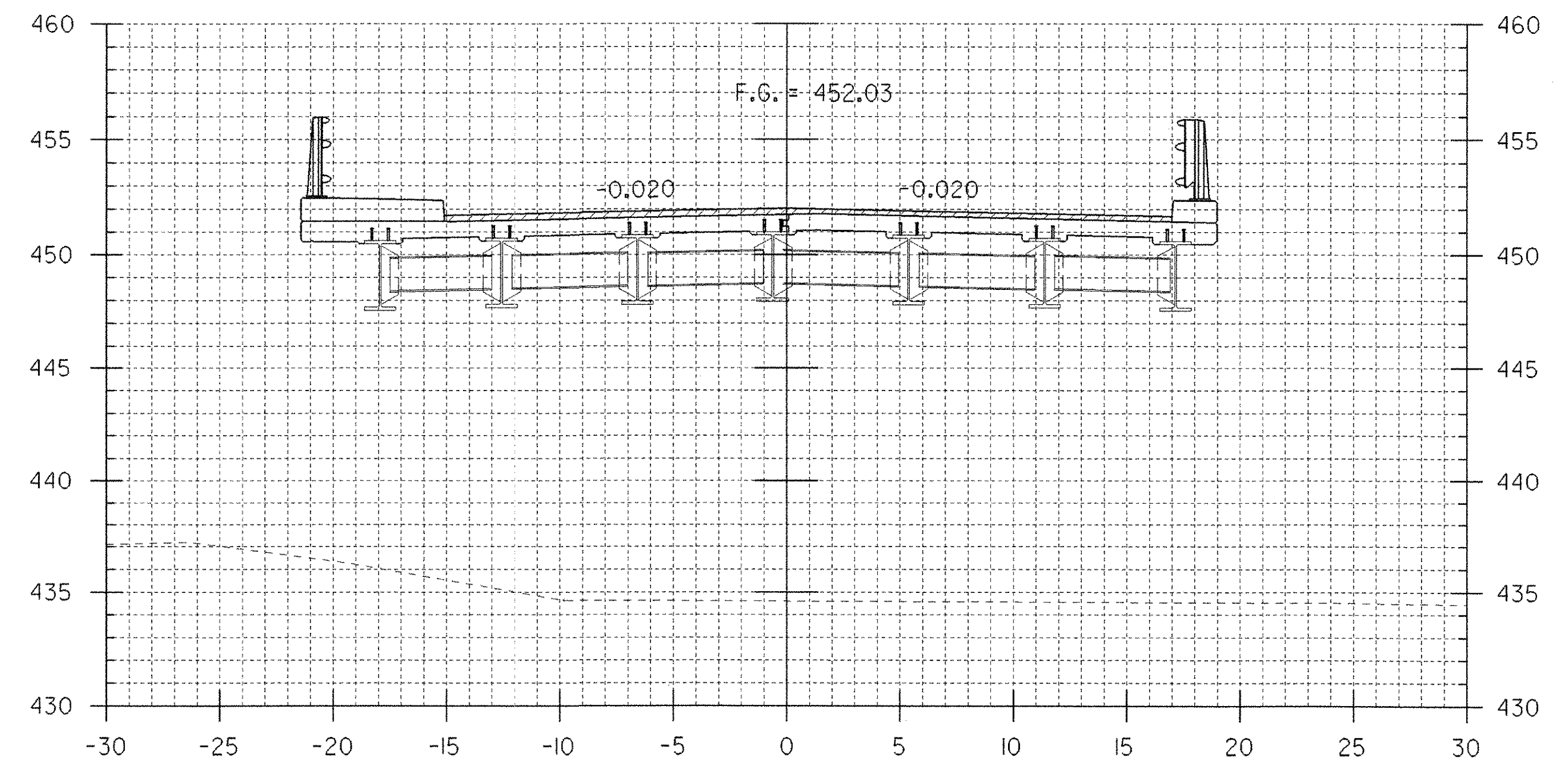
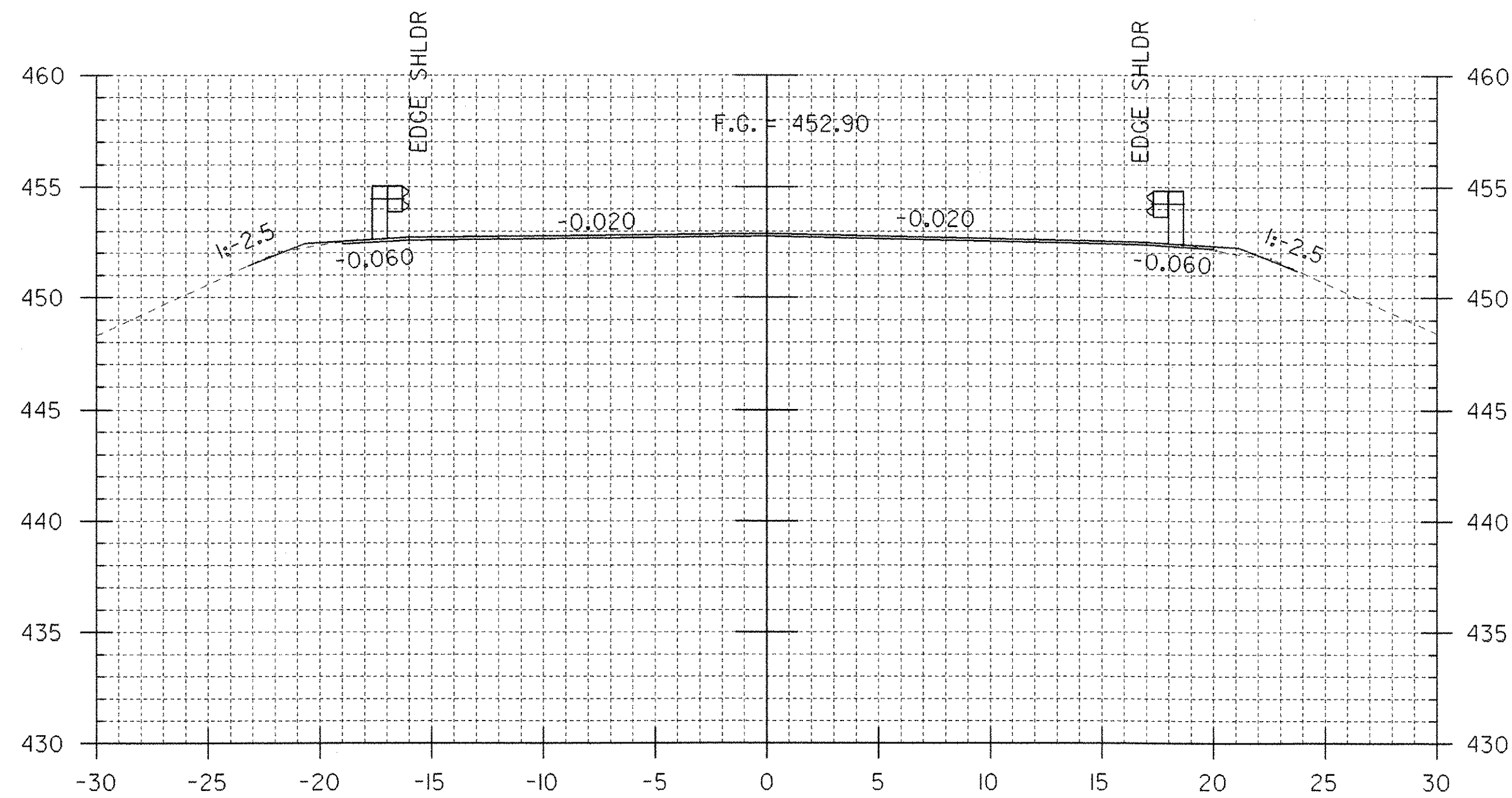


14+00.00 +27.5

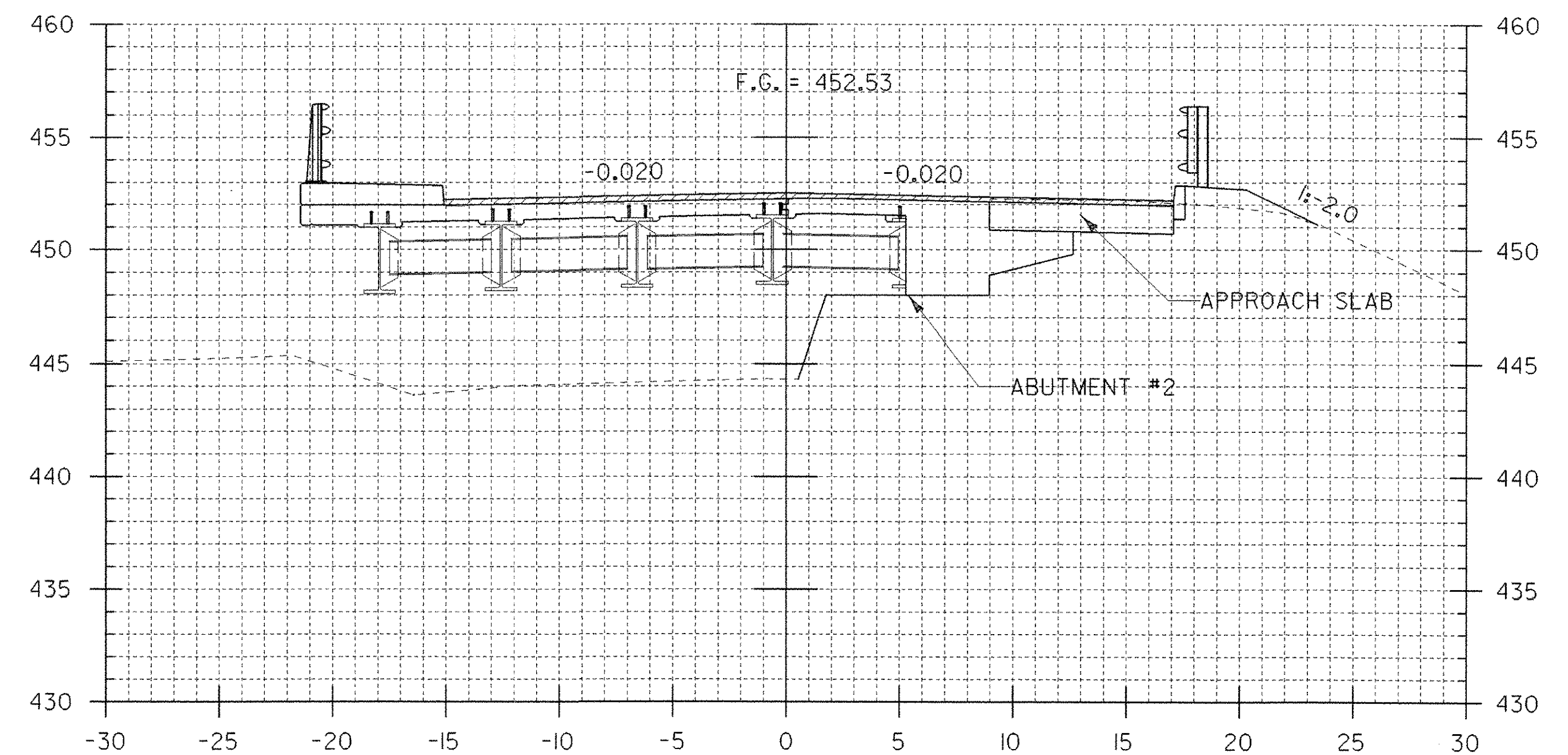
BEGIN PROJECT STA 13+75



15+00.00



13+50.00  
BEGIN APPROACH

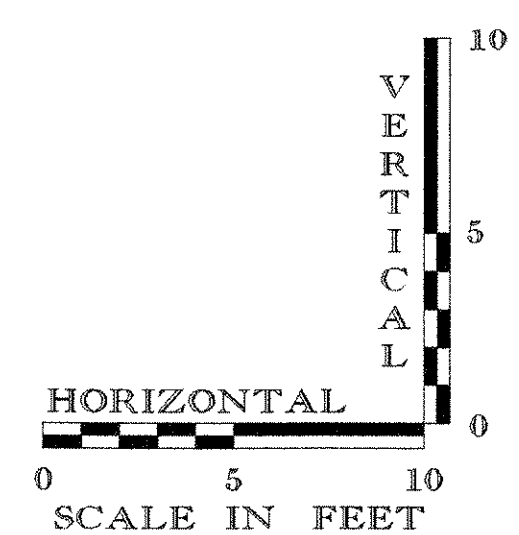


14+50.00  
BEGIN BRIDGE 14+47.48

VT. 15  
CROSS-SECTIONS

ROADWAY CROSS SECTIONS (SHEET 1)

DATUM  
VERTICAL \_\_\_\_\_  
HORIZONTAL \_\_\_\_\_



PROJECT NAME: CAMBRIDGE	PLOT DATE: 22-NOV-2006
PROJECT NUMBER: BHF 030-2 (19) S	DRAWN BY: A.N. BEY
FILE NAME: zb308csl.dgn	CHECKED BY: M.K. CHEVALIER
PROJECT LEADER: M.K. CHEVALIER	SHEET 59 OF 68
DESIGNED BY: B.W. ERNST	