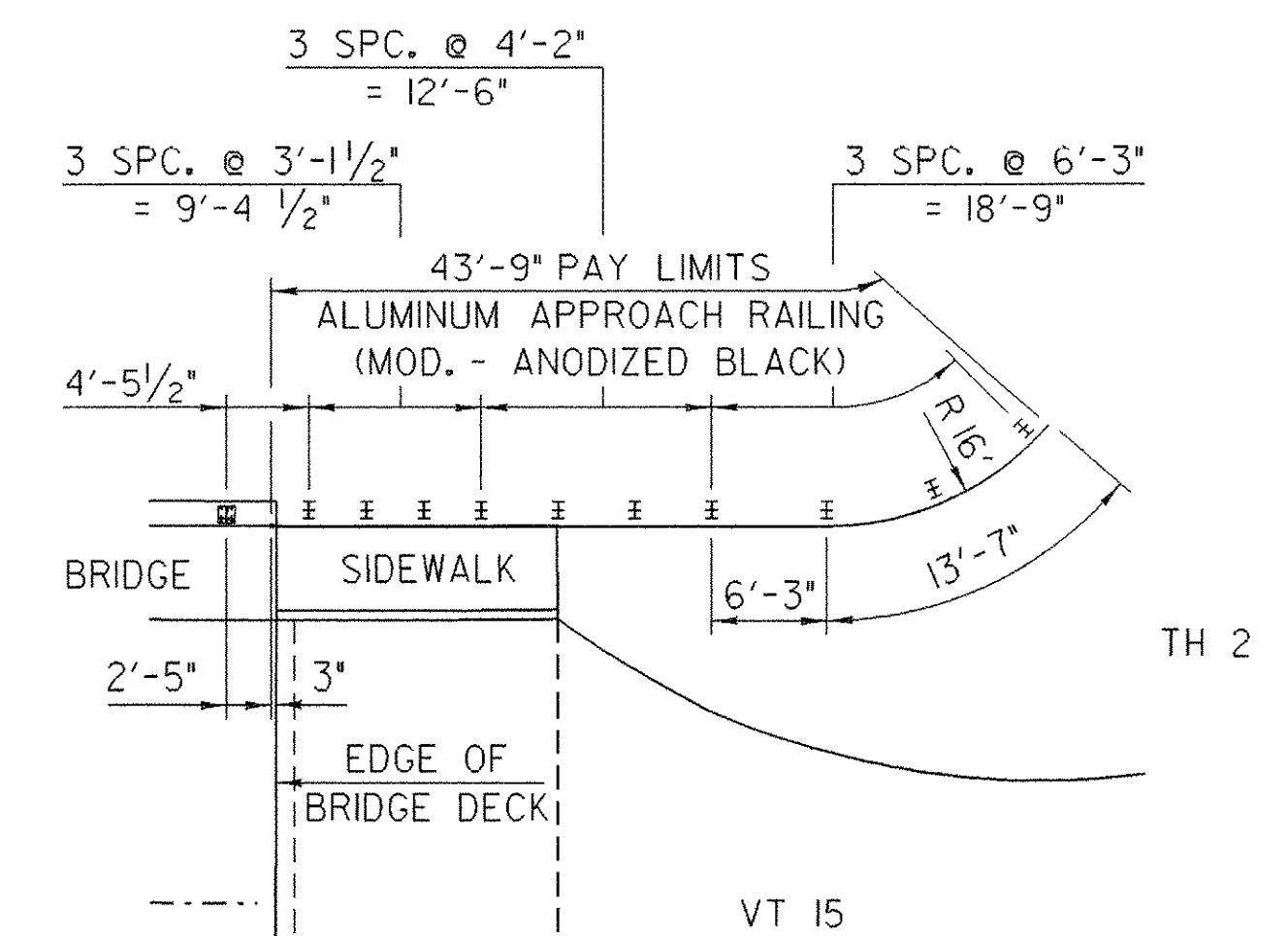
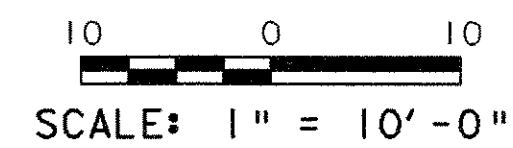
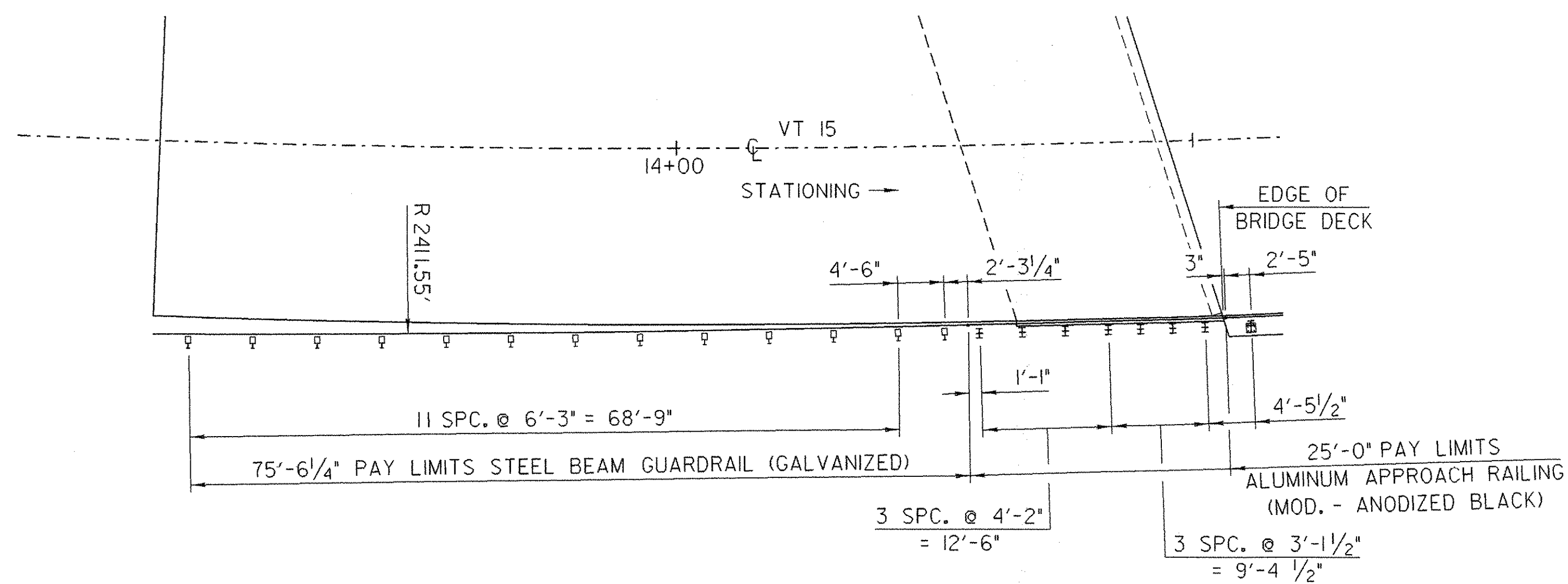
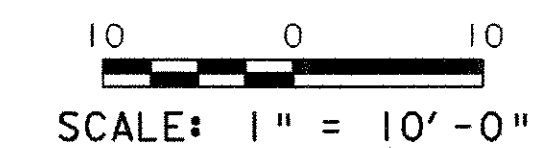


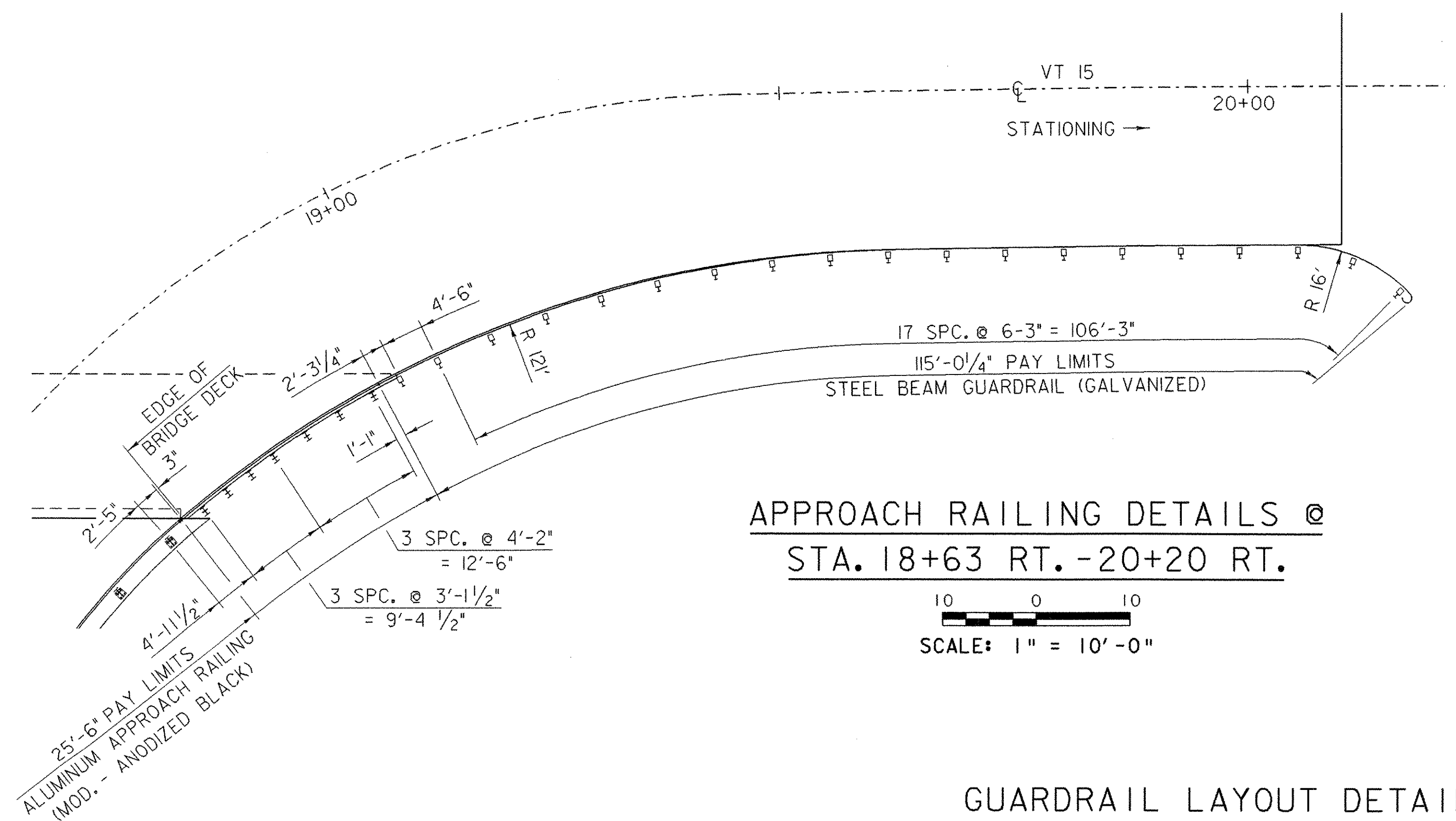
APPROACH RAILING DETAILS @ STA. 13+50 LT. - 14+42 LT.



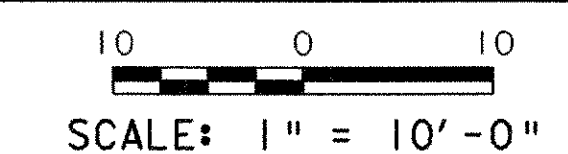
APPROACH RAILING DETAILS @ STA. 18+30 LT. - 100+55 LT.



APPROACH RAILING DETAILS @ STA. 13+50 RT. - 14+53 RT.



APPROACH RAILING DETAILS @ STA. 18+63 RT. - 20+20 RT.



GUARDRAIL LAYOUT DETAILS

PROJECT NAME:	CAMBRIDGE	PLOT DATE:	22-NOV-2006
PROJECT NUMBER:	BHF 030-2(19)S	DRAWN BY:	L. BULLOCK
FILE NAME:	98b308/zb308grd.dgn	CHECKED BY:	D. BONNEAU
PROJECT LEADER:	R. WHITCOMB	SHEET	53 OF 68
DESIGNED BY:	zb308grd.i		