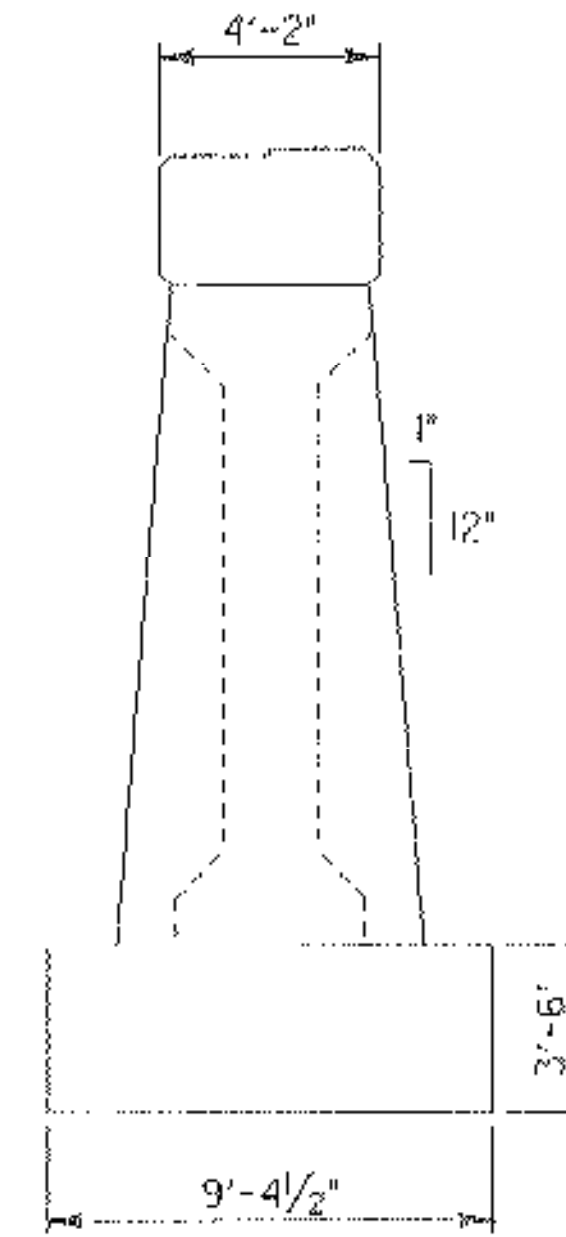
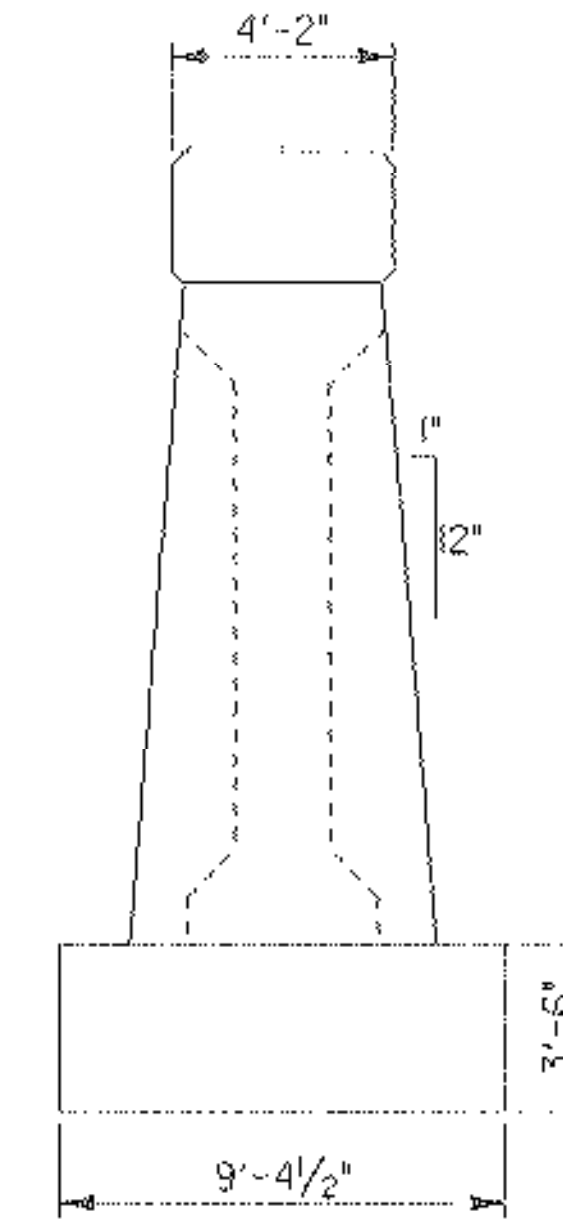


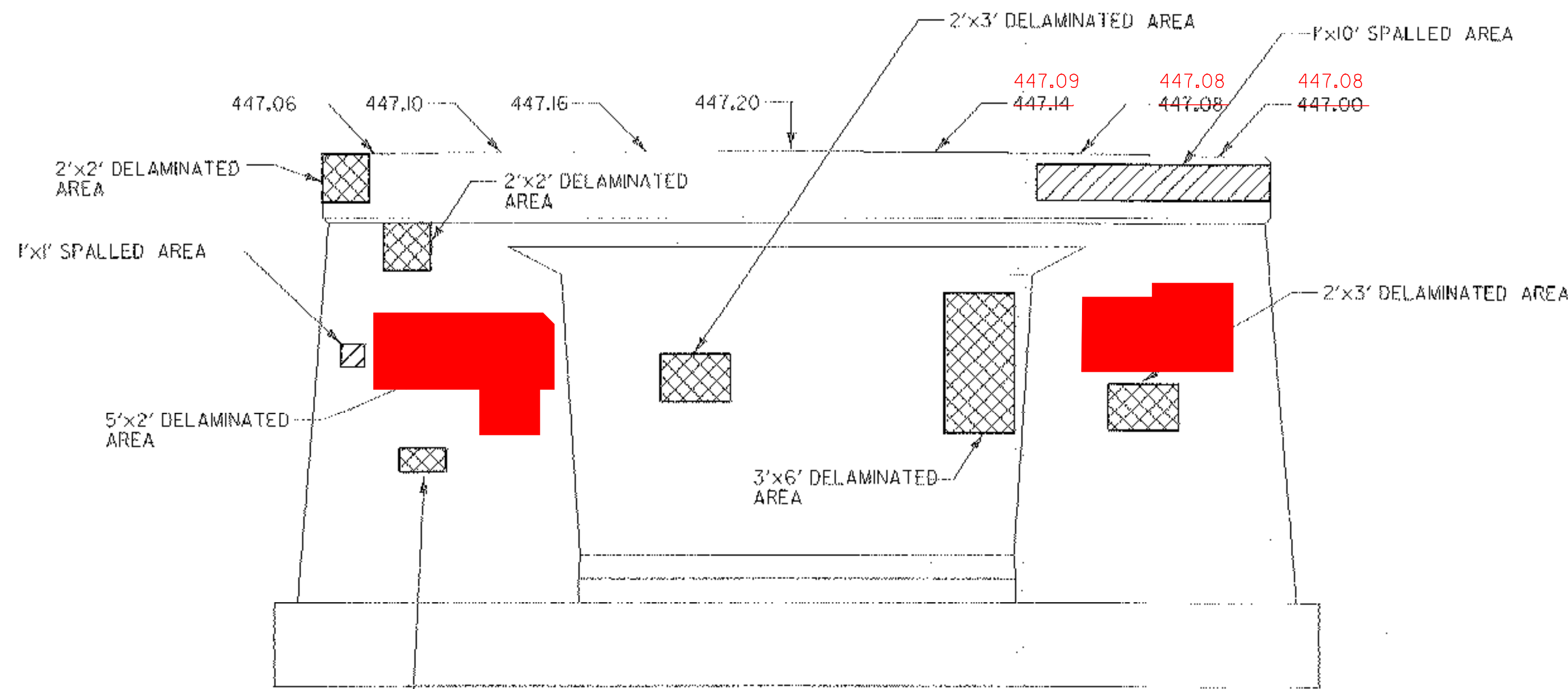
PIER NO. 4 PLAN
SCALE: 1/4" = 1'-0"



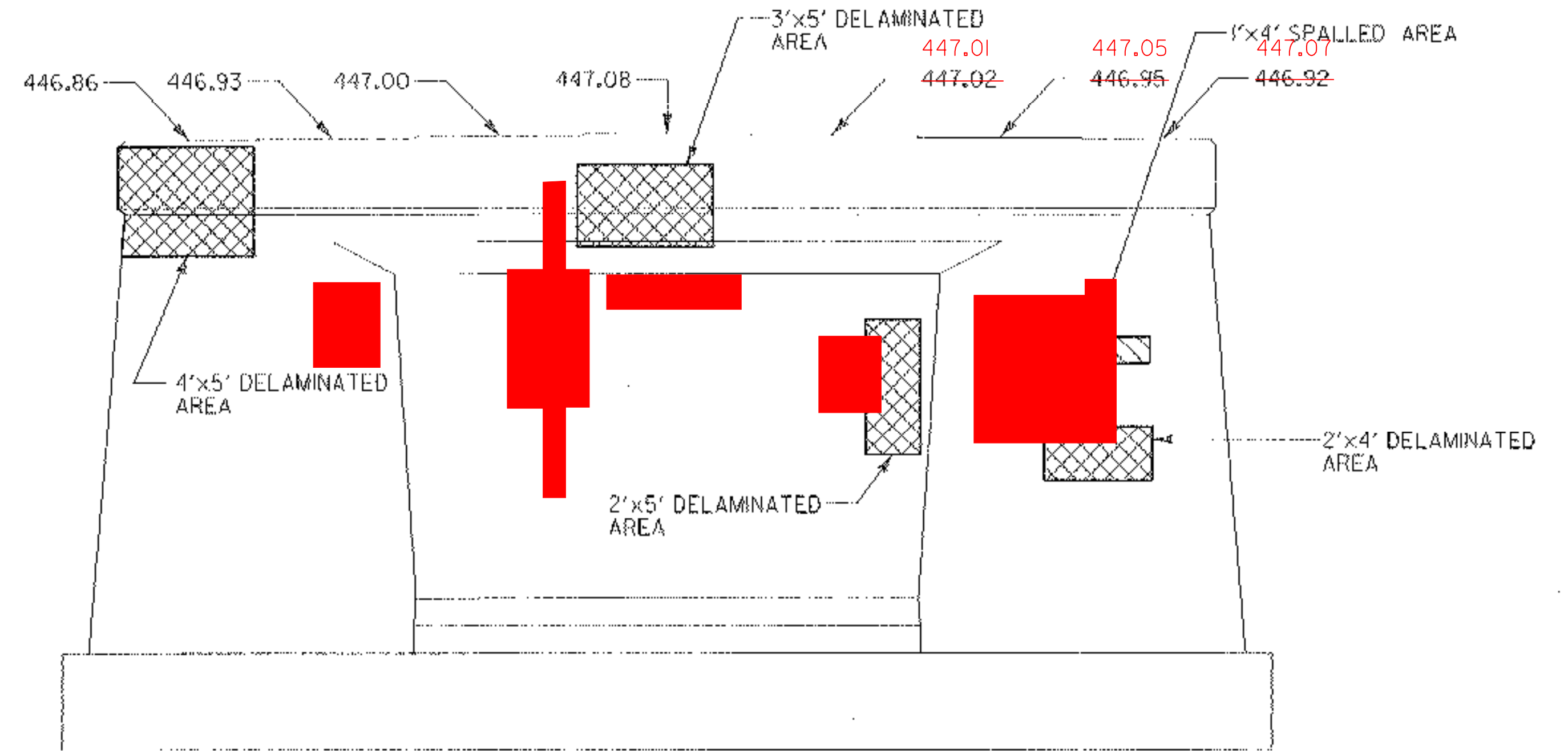
PIER NO. 4 EAST ELEVATION
SCALE: 1/4" = 1'-0"



PIER NO. 4 WEST ELEVATION
SCALE: 1/4" = 1'-0"



PIER NO. 4 SOUTH ELEVATION
SCALE: 1/4" = 1'-0"



PIER NO. 4 NORTH ELEVATION
SCALE: 1/4" = 1'-0"

- KEY**
- CLASS II REPAIR
 - DELAMINATED AREAS
 - SPALLED AREAS

- NOTES:**
1. FOR SUBSTRUCTURE REPAIR DETAILS, SEE SHEET 5I.
 2. EXISTING PAD ELEVATIONS ARE BASED ON FIELD SURVEY.
 3. THE DEFECTIVE AREAS INDICATED ARE APPROXIMATE. THE EXACT AREA AND REPAIR TYPE ARE TO BE DETERMINED BY THE RESIDENT ENGINEER.

STATE OF VERMONT AGENCY OF TRANSPORTATION		
Town Of	CAMBRIDGE	Bridge No. 20
Highway No.	VT 15	Log. Sta. Surv. Sta.
VT 15 OVER LAMOILLE RIVER PIER 4 PLAN & ELEVATION		
Designed By	E.A. HARTWELL	Drawn By
Checked By	R. SACCHI	Bridge Design Supervisor
		R. R. WHITCOMB Date 11/3/2006
PROJECT	CAMBRIDGE	PROJECT NO. BHF 030-2(19)S
I.C.C. Info.		zb308pier4.dgn
Bridge Sheet No.		Sheet 50 of 68