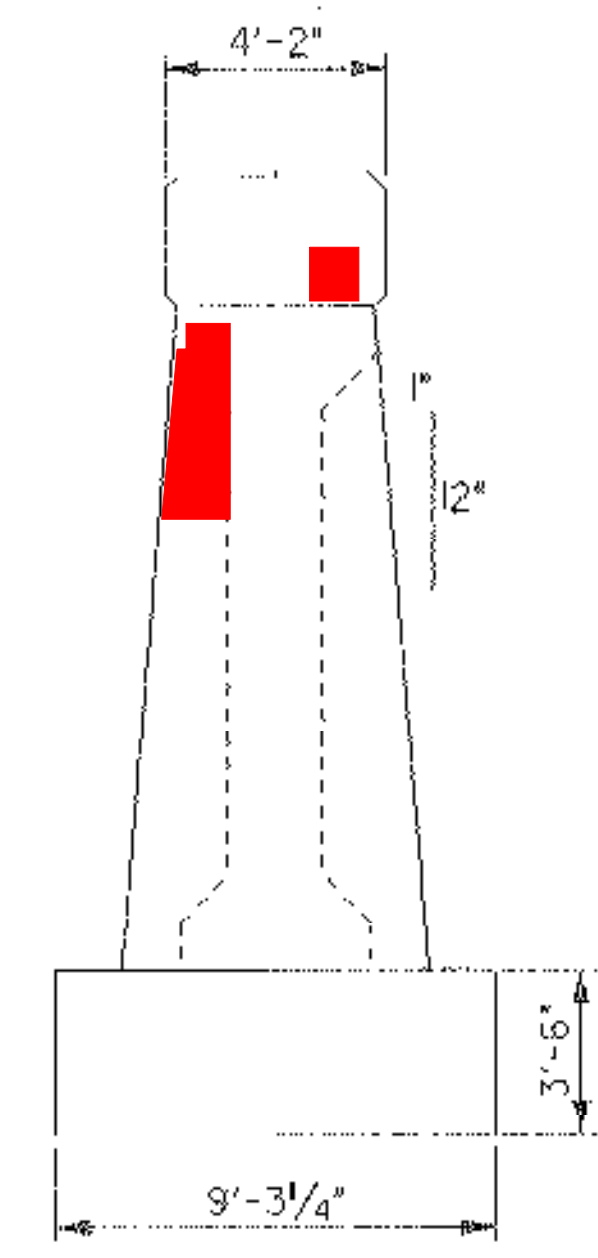
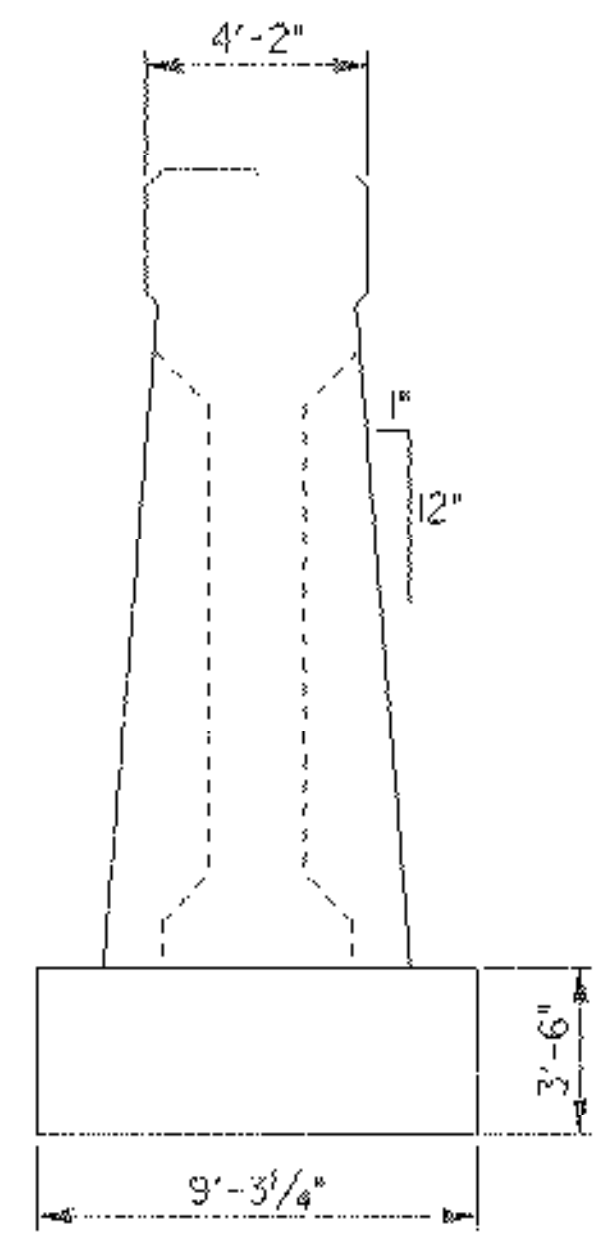


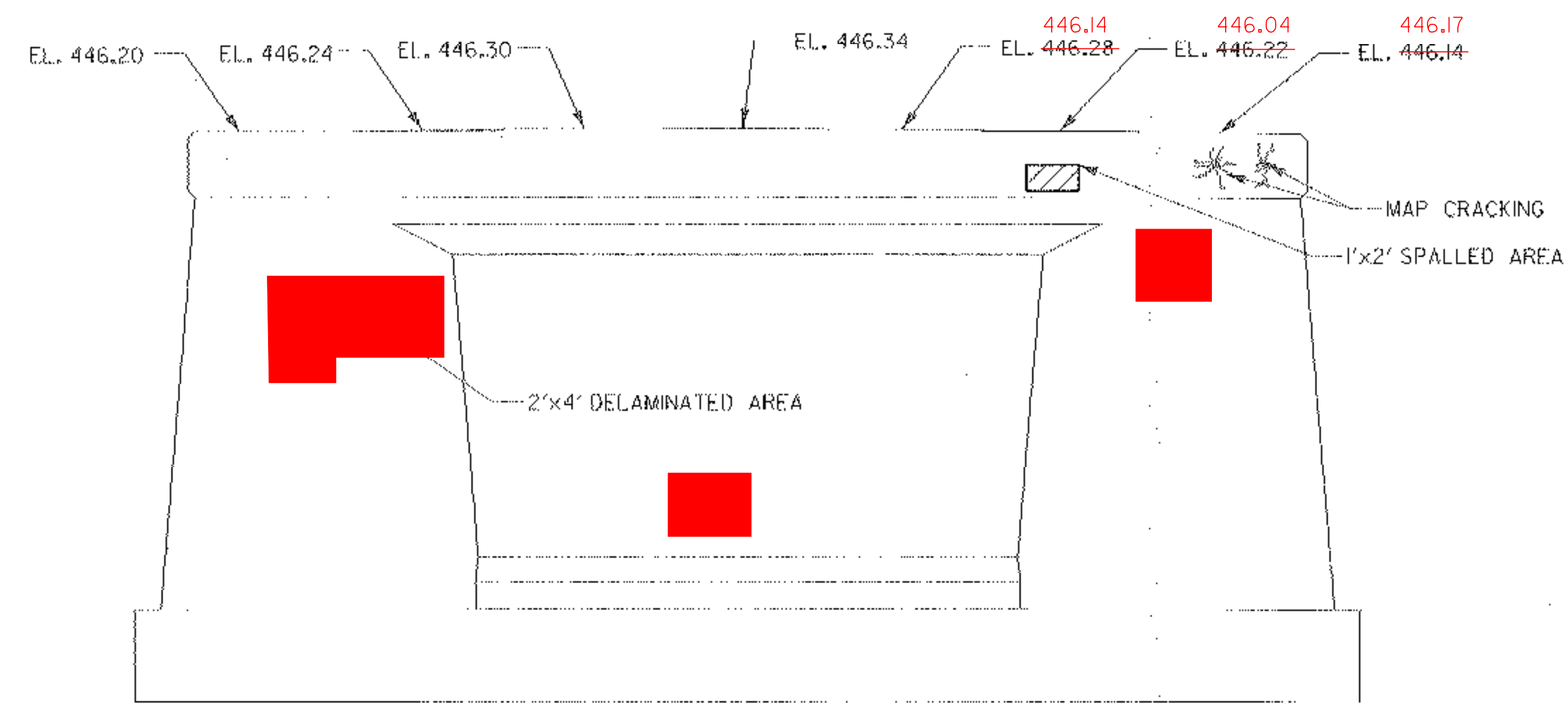
PIER NO. 3 PLAN
SCALE: 1/4" = 1'-0"



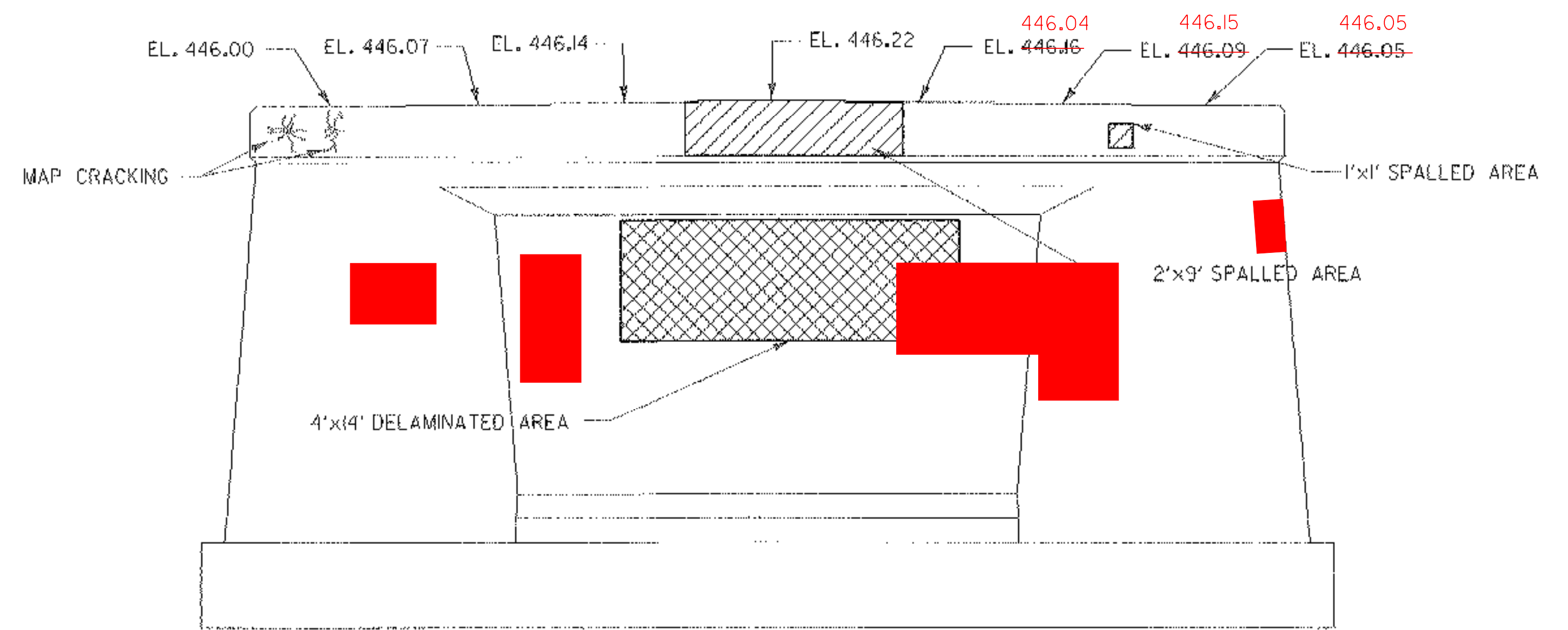
PIER NO. 3 EAST ELEVATION
SCALE: 1/4" = 1'-0"



PIER NO. 3 WEST ELEVATION
SCALE: 1/4" = 1'-0"



PIER NO. 3 SOUTH ELEVATION
SCALE: 1/4" = 1'-0"



PIER NO. 3 NORTH ELEVATION
SCALE: 1/4" = 1'-0"

- KEY**
- CLASS II REPAIR
 - DELAMINATED AREAS
 - SPALLED AREAS

- NOTES:
1. FOR SUBSTRUCTURE REPAIR DETAILS, SEE SHEET 51.
 2. EXISTING PAD ELEVATIONS ARE BASED ON FIELD SURVEY.
 3. THE DEFECTIVE AREAS INDICATED ARE APPROXIMATE. THE EXACT AREAS AND REPAIR TYPE ARE TO BE DETERMINED BY THE RESIDENT ENGINEER.

STATE OF VERMONT AGENCY OF TRANSPORTATION	
Town Of CAMBRIDGE	Bridge No. 20
Highway No. VT 15	Log. Sta. Surv. Sta.
VT 15 OVER LAMOILLE RIVER PIER 3 PLAN & ELEVATION	
Designed By E.A. HARTWELL	Drawn By R.A. ROSS
Checked By R. SACCH	Bridge Design Supervisor R. R. WHITCOMB Date 11/3/2006
PROJECT CAMBRIDGE	PROJECT NO. BHF 030-2091S
L&C. Info.	zb308p pier3.dgn
Bridge Sheet No.	Sheet 49 of 68