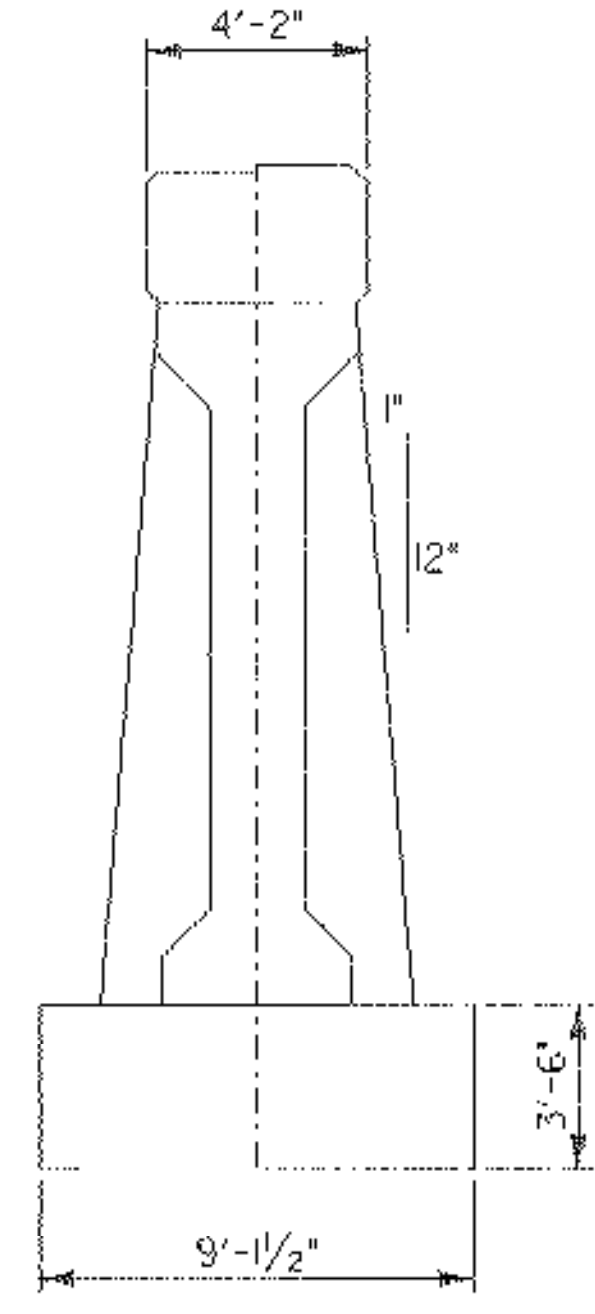
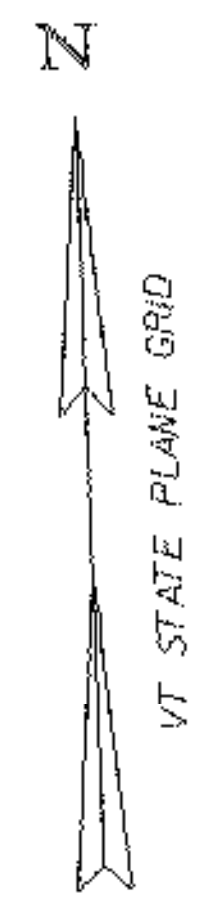
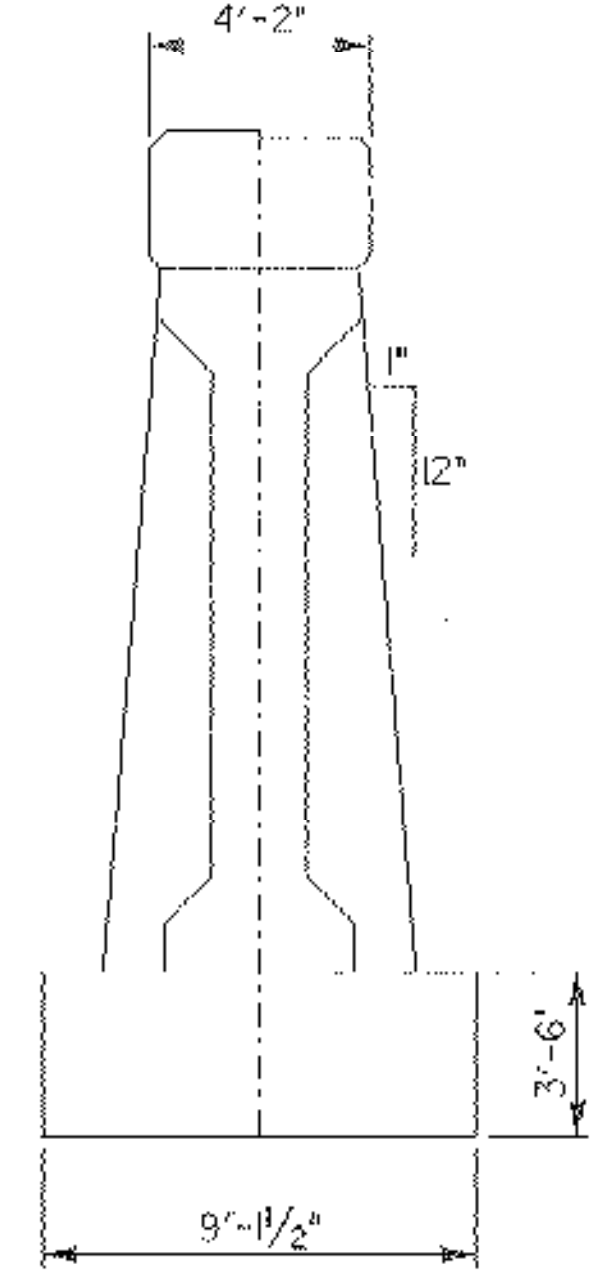


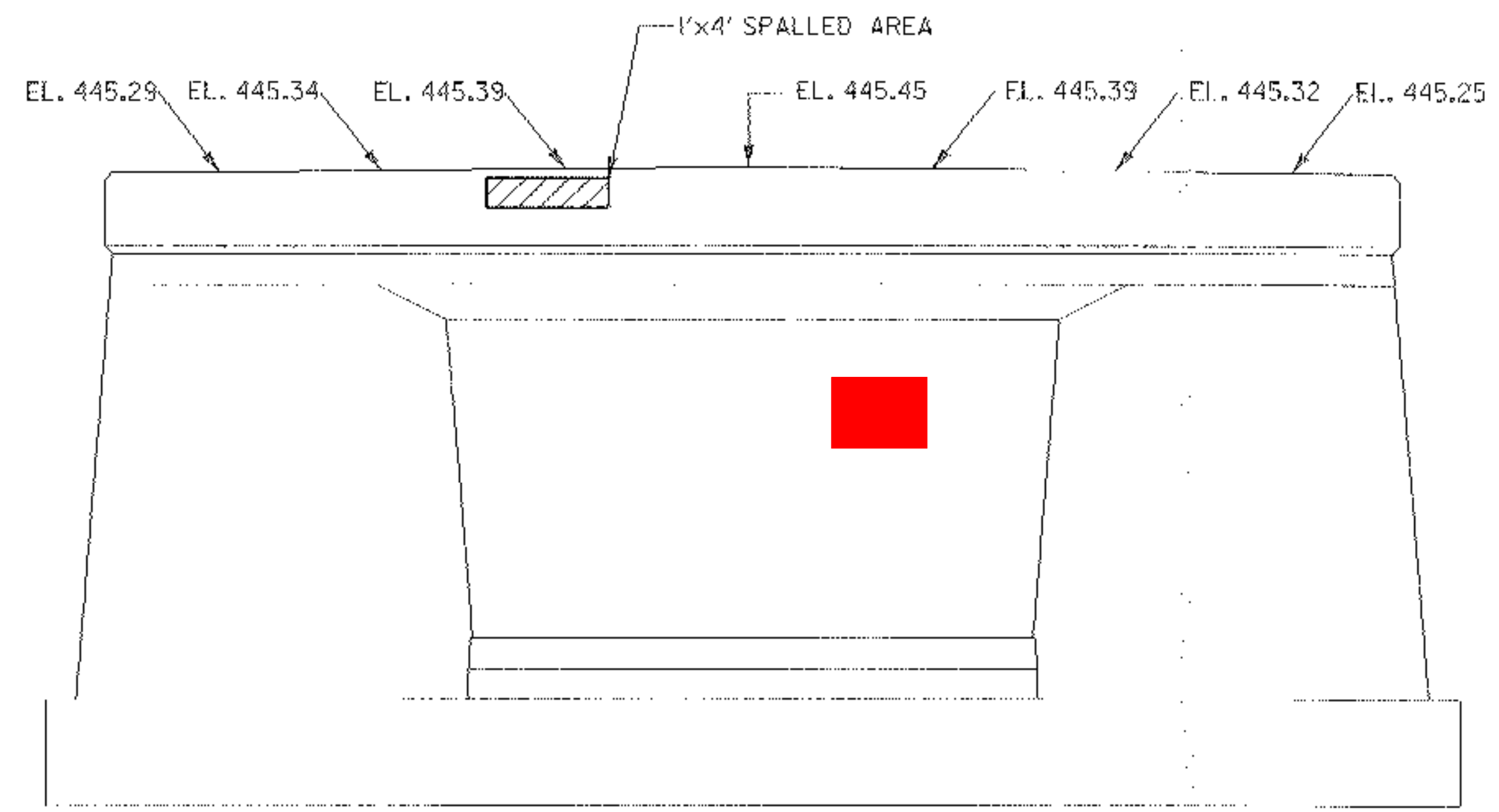
PIER NO. 2 PLAN
SCALE: 1/4" = 1'-0"



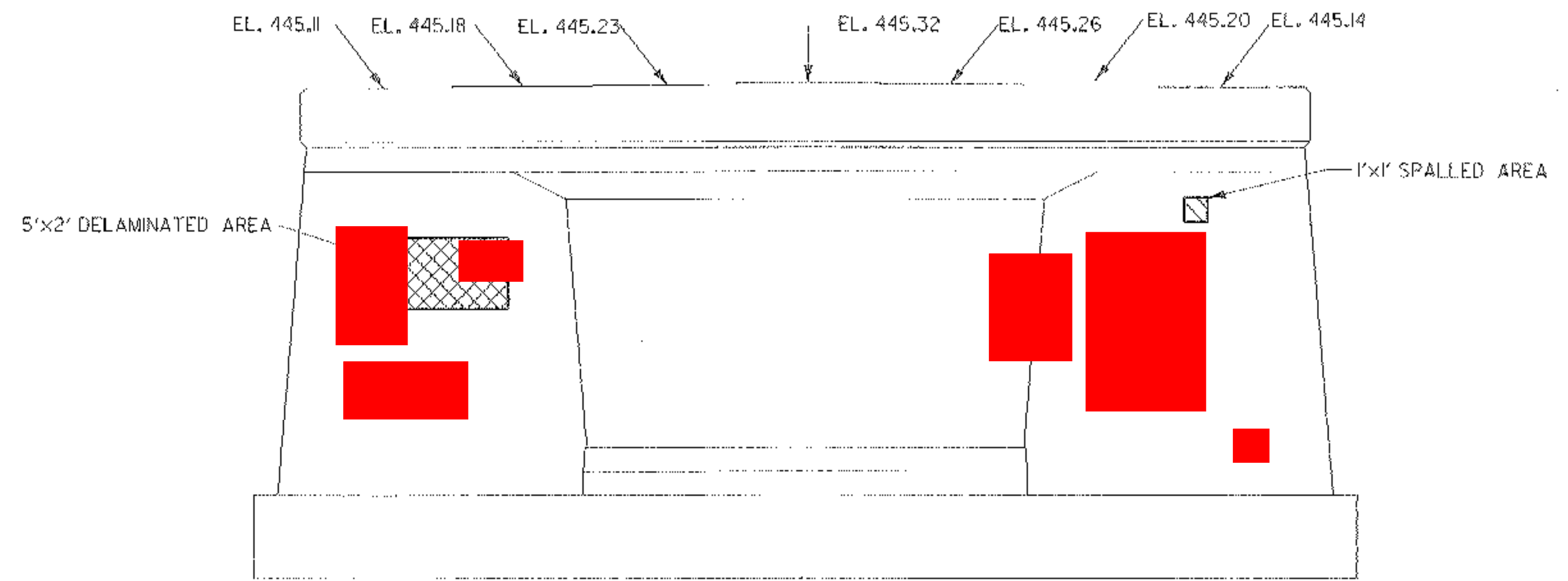
PIER NO. 2 EAST ELEVATION
SCALE: 1/4" = 1'-0"



PIER NO. 2 WEST ELEVATION
SCALE: 1/4" = 1'-0"



PIER NO. 2 SOUTH ELEVATION
SCALE: 1/4" = 1'-0"



PIER NO. 2 NORTH ELEVATION
SCALE: 1/4" = 1'-0"

- KEY**
- CLASS II REPAIR
 - DELAMINATED AREAS
 - SPALLED AREAS

- NOTES:**
1. FOR SUBSTRUCTURE REPAIR DETAILS, SEE SHEET 51.
 2. EXISTING PAD ELEVATIONS ARE BASED ON FIELD SURVEY.
 3. THE DEFECTIVE AREAS INDICATED ARE APPROXIMATE, THE EXACT AREA AND REPAIR TYPE ARE TO BE DETERMINED BY THE RESIDENT ENGINEER.

STATE OF VERMONT AGENCY OF TRANSPORTATION			
Town Of	CAMBRIDGE	Bridge No.	20
Highway No.	VT 15	Log Sta.	
		Surv. Sta.	
VT 15 OVER LAMOILLE RIVER PIER 2 PLAN & ELEVATION			
Designed By	E.A.HARTWELL	Drawn By	R.A.ROSS
Checked By	R. SACCHI	Bridge Design Supervisor	R. R. WHITCOMB
	Date	Date	11/3/2006
PROJECT	CAMBRIDGE	PROJECT NO.	BHF 030-2(9)5
LG&C Info.			zb308p pier2.dgn
Bridge Sheet No.			Sheet 48 of 68