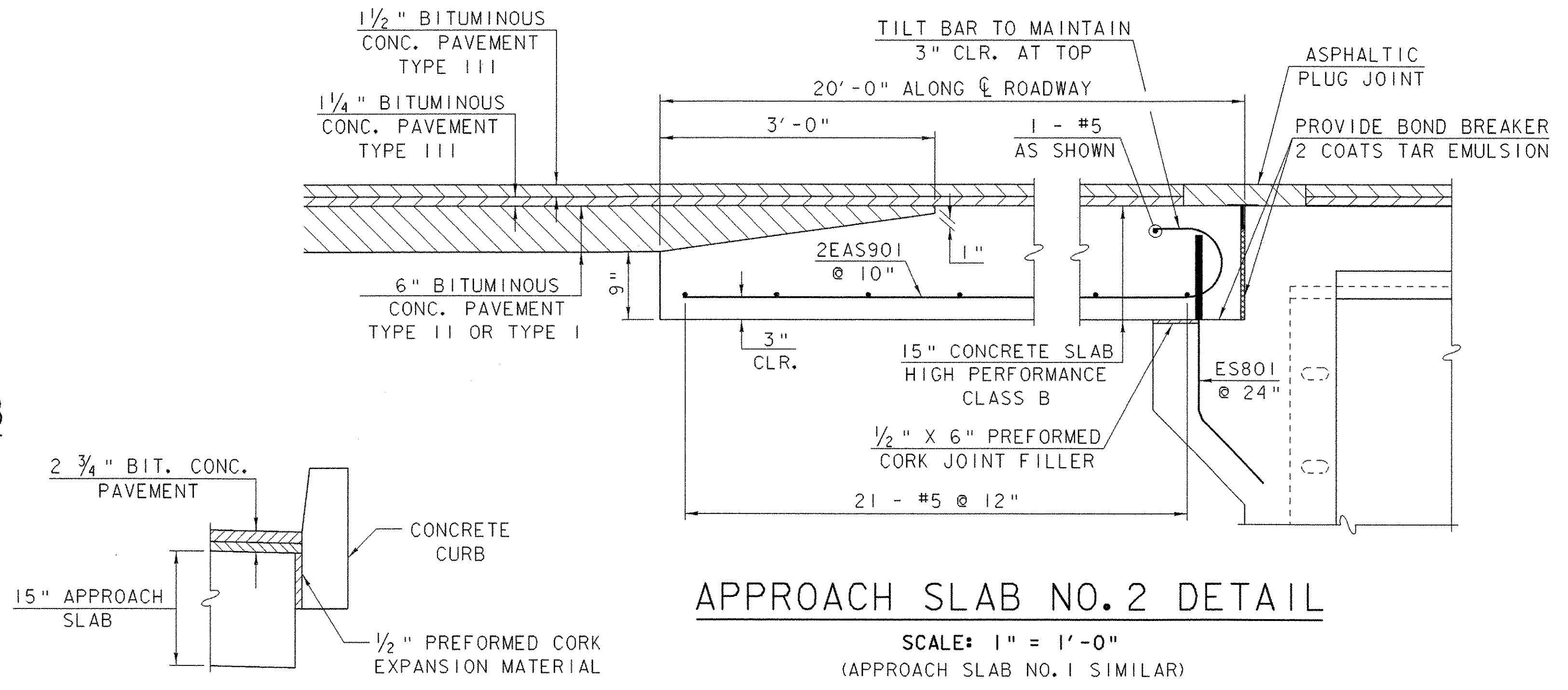
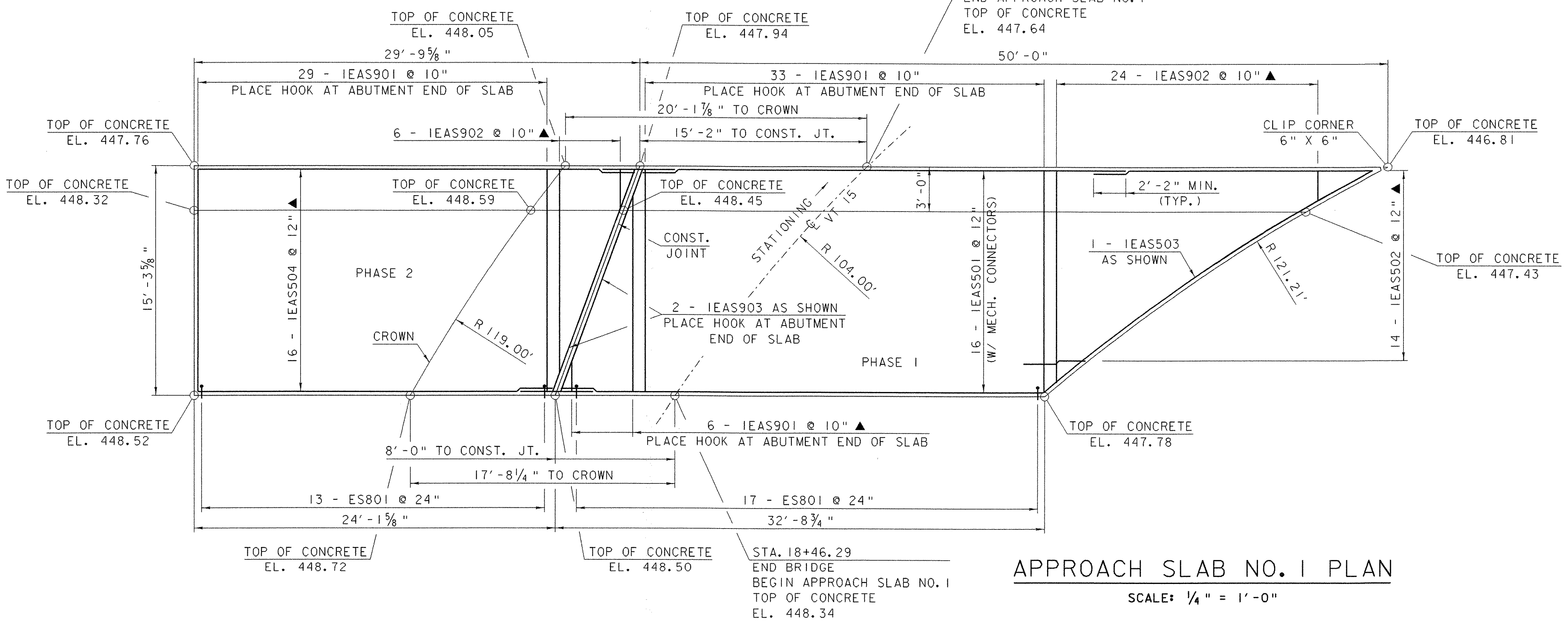


APPROACH SLAB NO. 2 PLAN
SCALE: 1/4" = 1'-0"

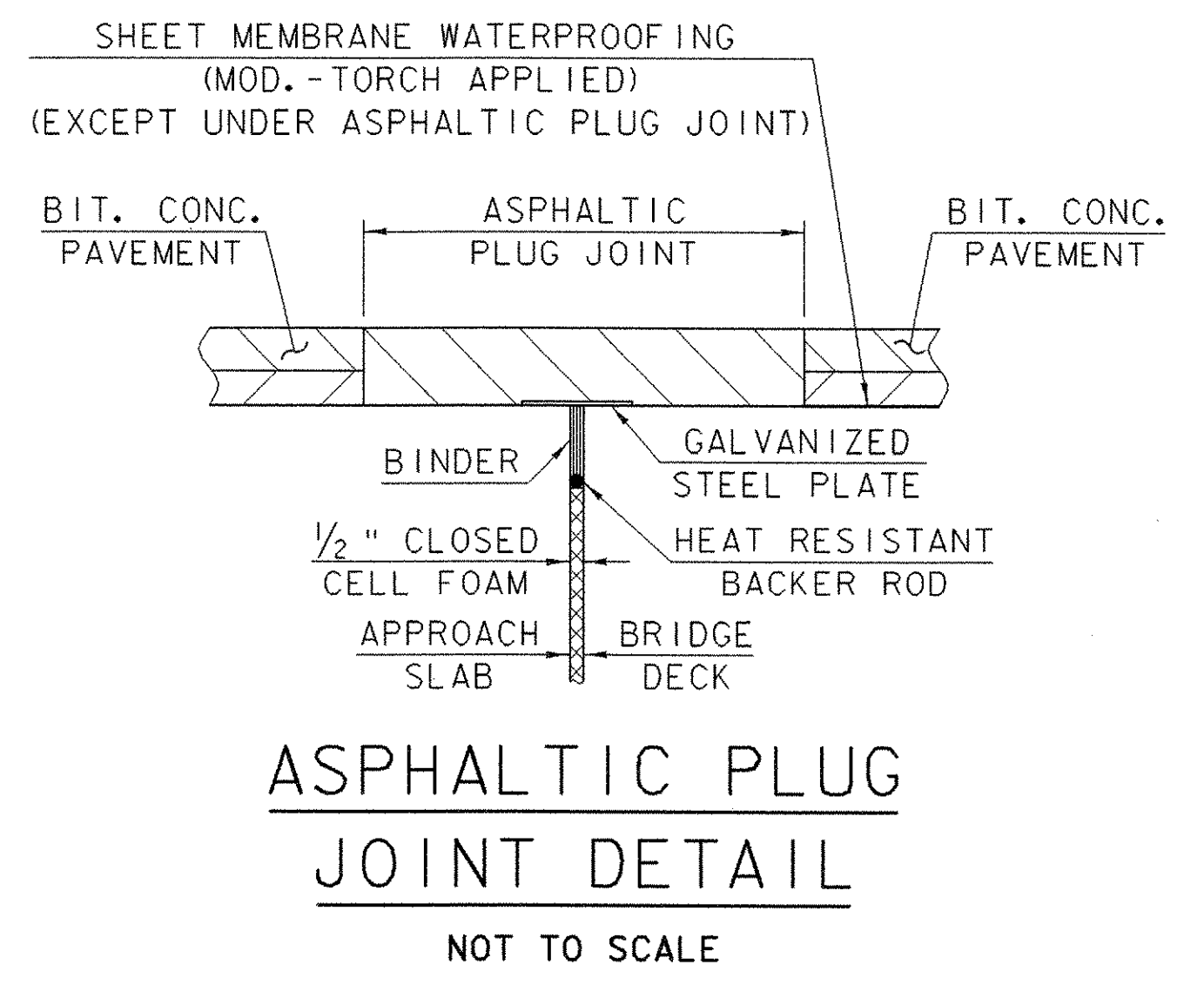


APPROACH SLAB NO. 2 DETAIL
SCALE: 1" = 1'-0"
(APPROACH SLAB NO. 1 SIMILAR)

CURB DETAIL @ APPROACH SLAB
SCALE: 1" = 1'-0"



APPROACH SLAB NO. 1 PLAN
SCALE: 1/4" = 1'-0"



ASPHALTIC PLUG JOINT DETAIL
SCALE: NOT TO SCALE

STATE OF VERMONT AGENCY OF TRANSPORTATION		
Town Of	CAMBRIDGE	Bridge No. 20
Highway No.	VT 15	Log Sta. Surv. Sta.
VT 15 OVER LAMOILLE RIVER APPROACH SLAB DETAILS		
Designed By	E.A. HARTWELL	Drawn By R.A. ROSS
Checked By	Date	Bridge Design Supervisor
	R. SACCHI	R. R. WHITCOMB Date 11/3/2006
PROJECT	CAMBRIDGE	PROJECT NO. BHF 030-2(19)S
I.G.C. Info.		zb308apl.dgn
Bridge Sheet No.		Sheet 43 of 68