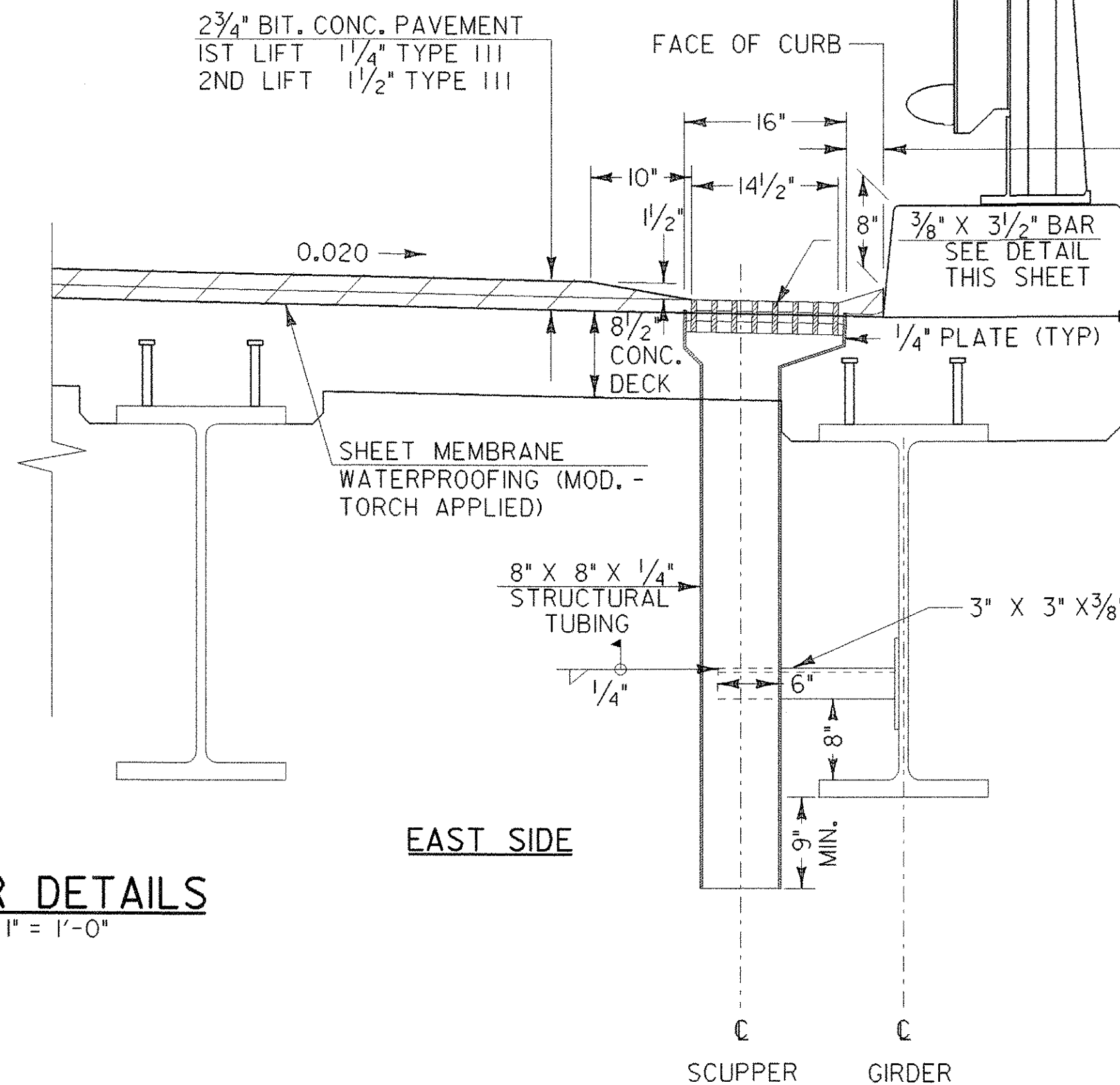
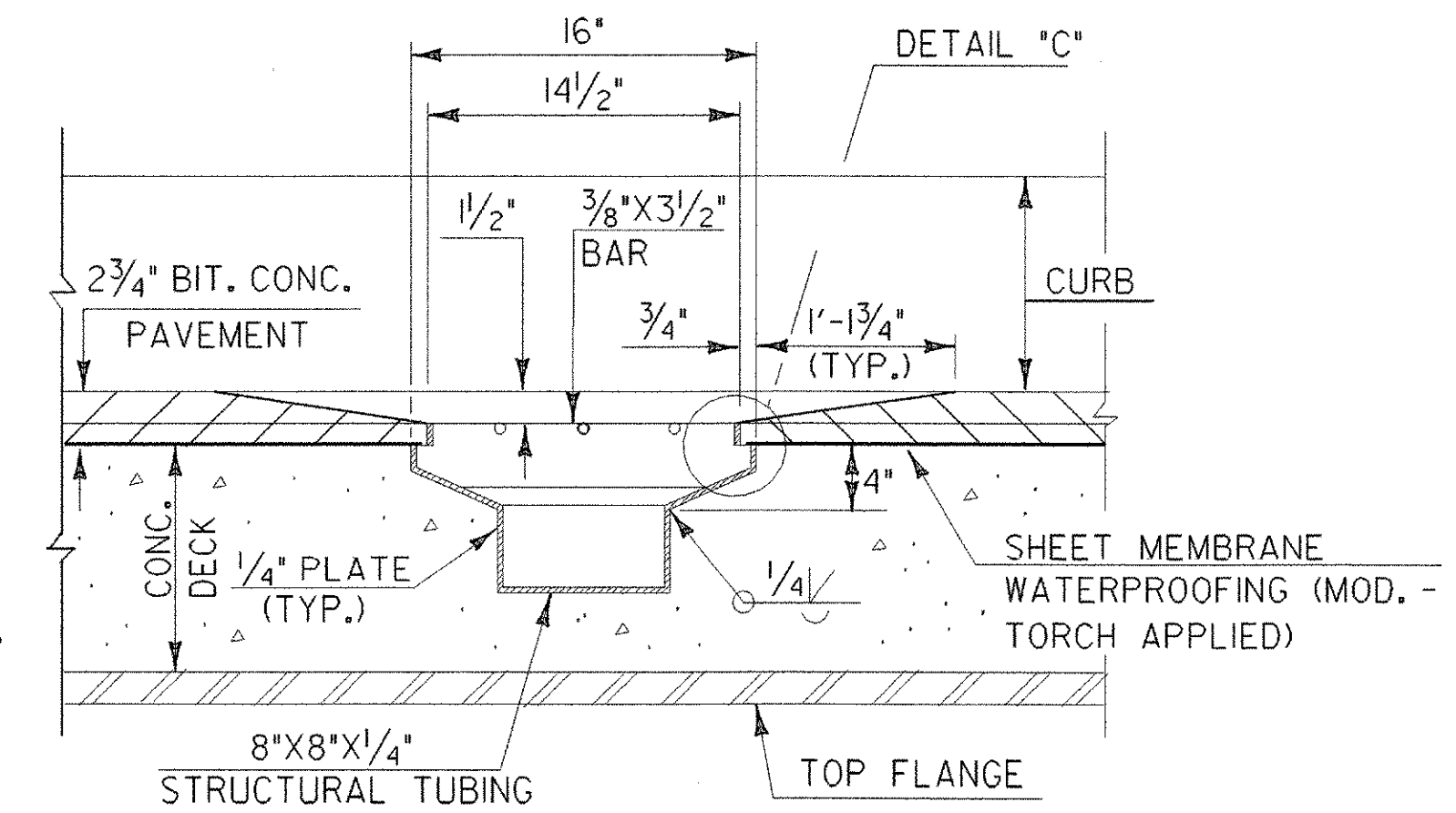


WEST SIDE

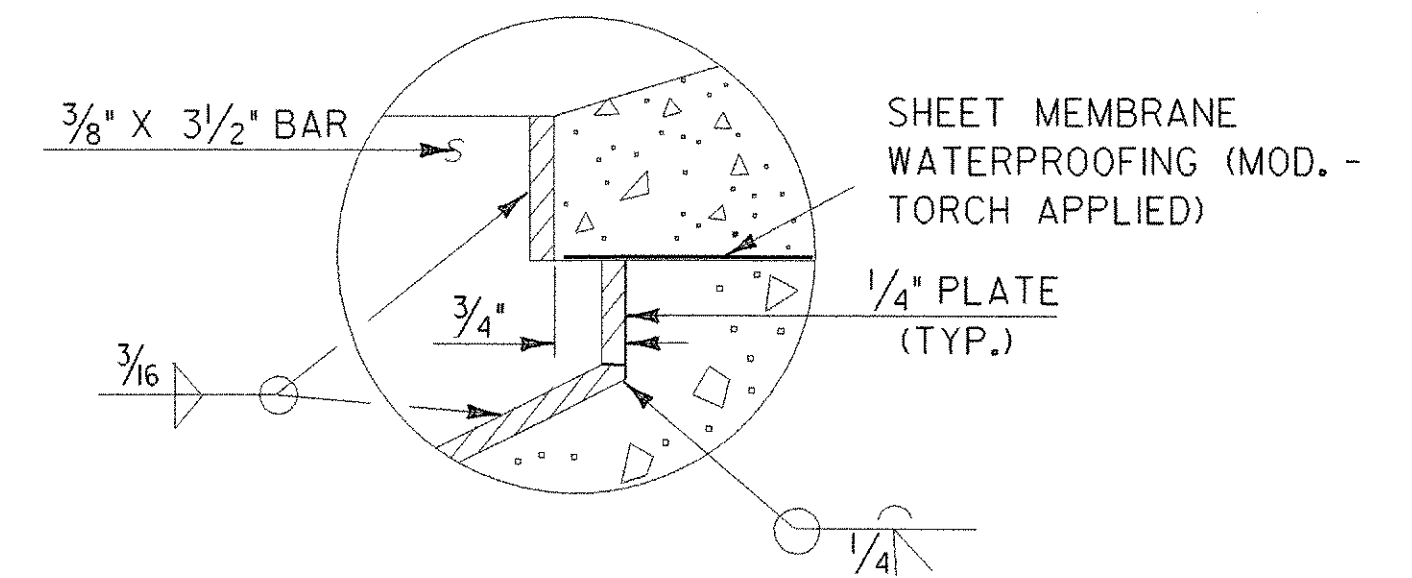


EAST SIDE

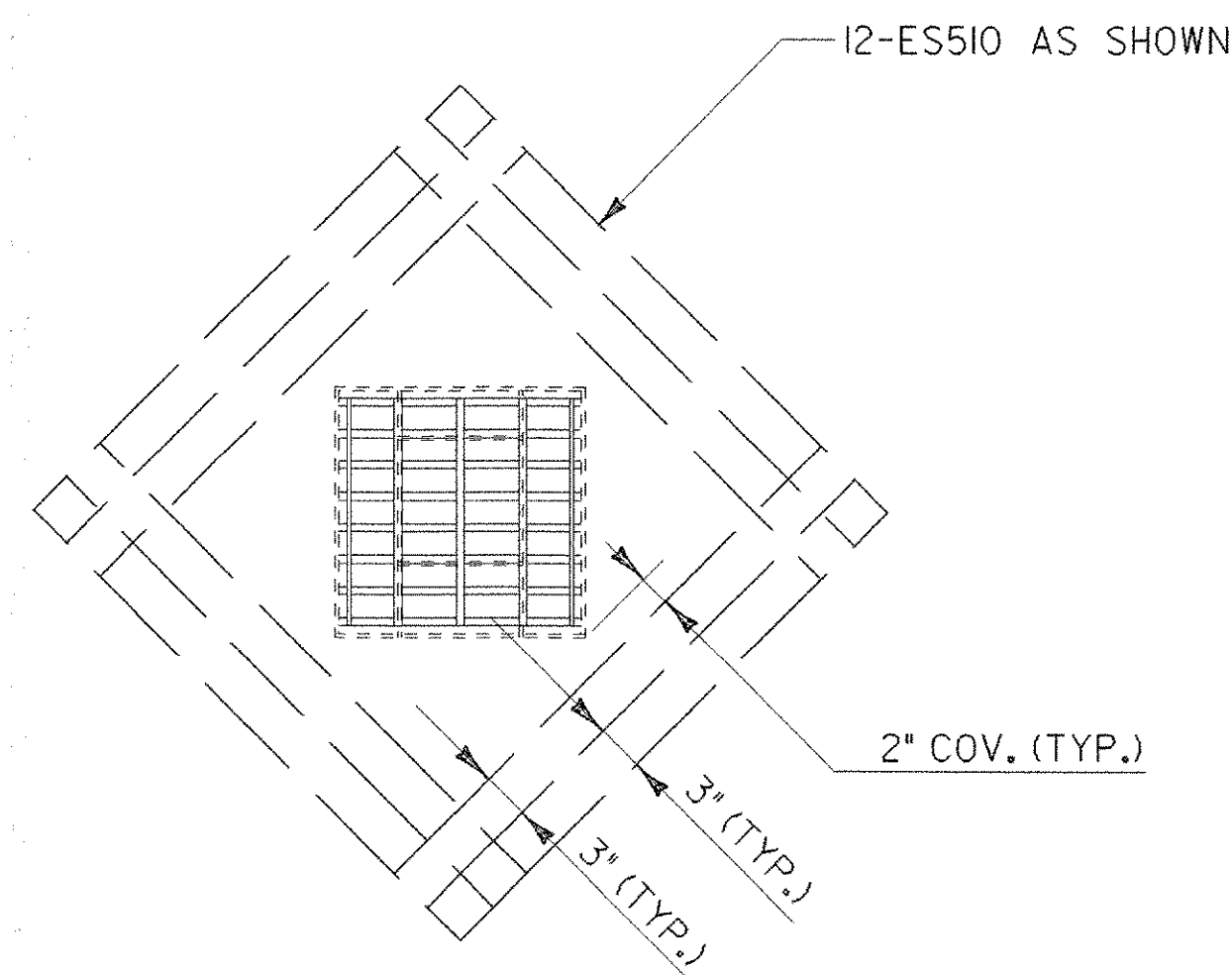
SCUPPER DETAILS
SCALE: 1" = 1'-0"



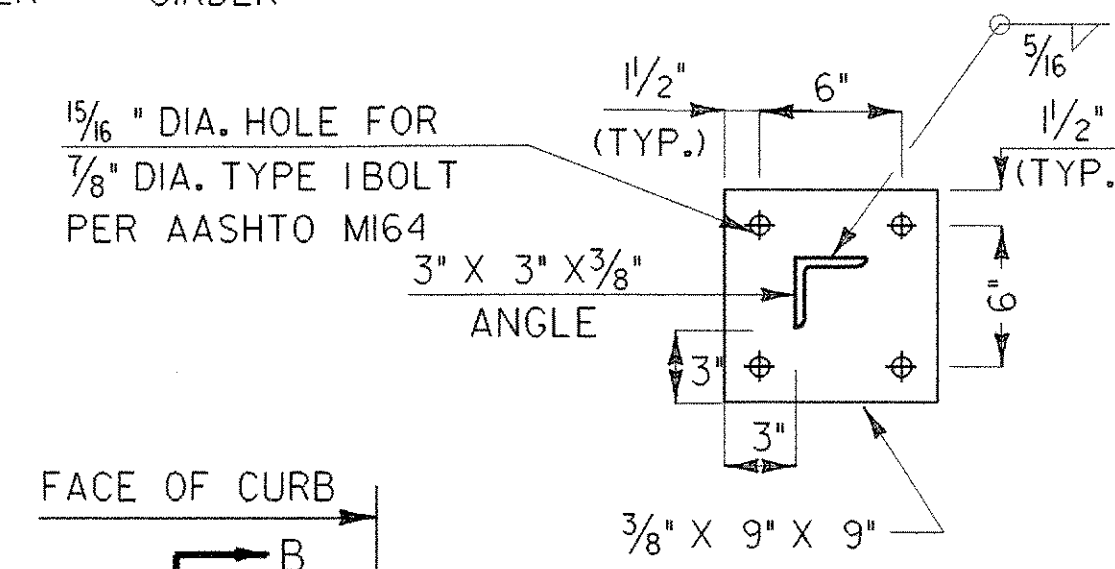
SECTION B-B
SCALE: 1/2" = 1'-0"



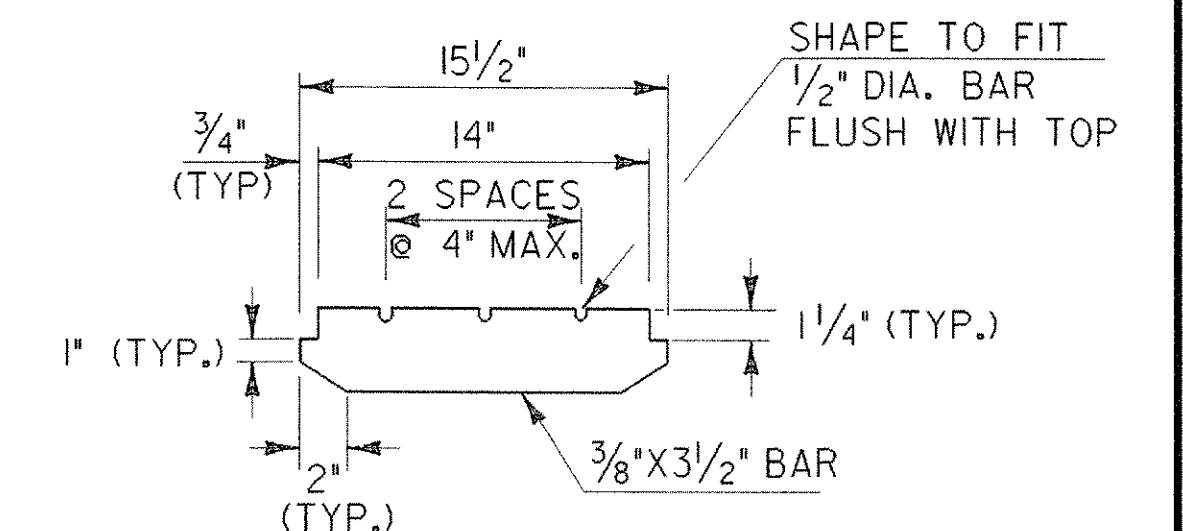
DETAIL 'C'
N.T.S.



REINFORCING PLAN
SCALE 1" = 1'-0"



SECTION C-C
SCALE: 1/2" = 1'-0"

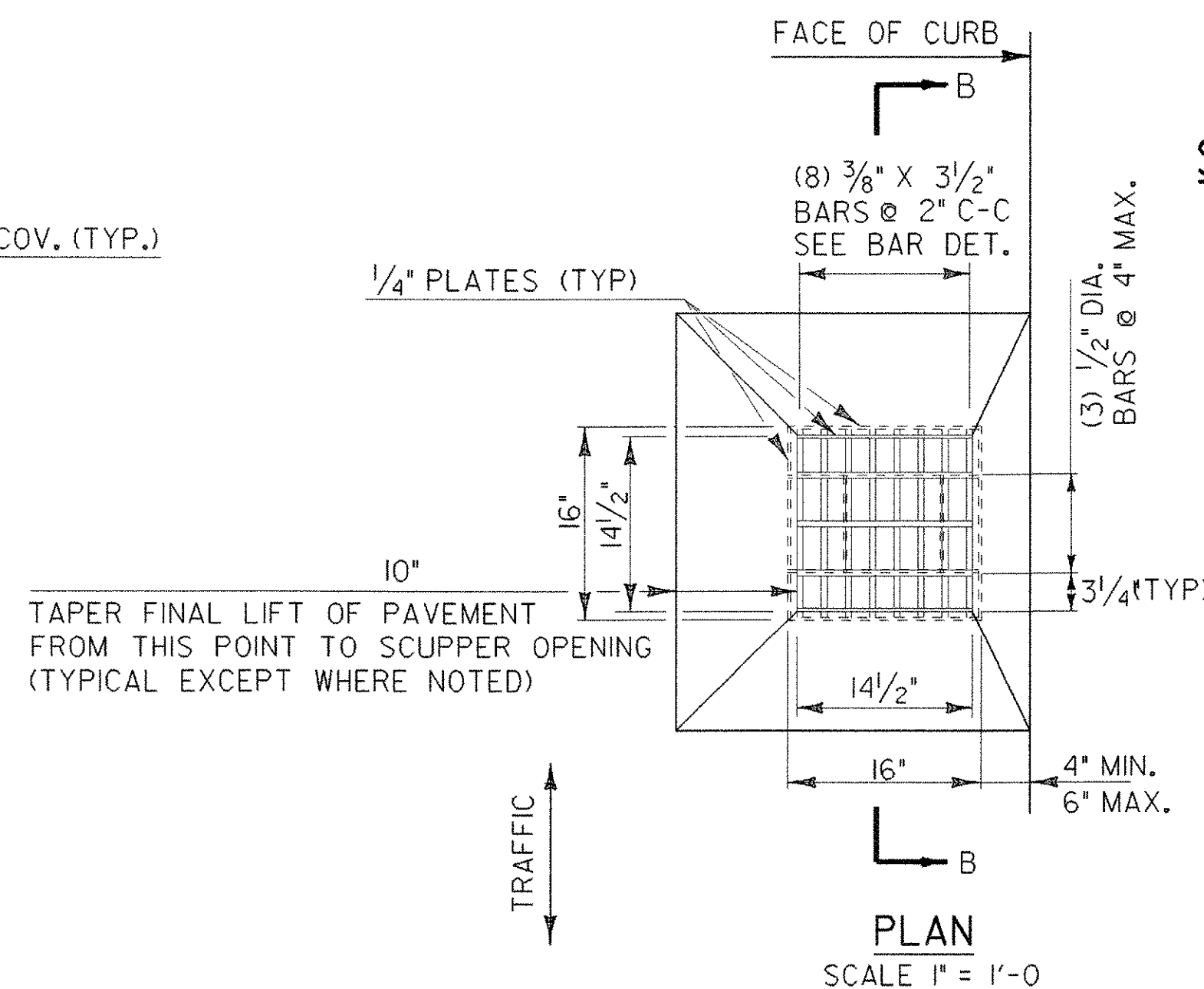


BAR DETAIL FOR GRATE
SCALE: 1/2" = 1'-0"

SCUPPER NOTES

THE FOLLOWING NOTES SHALL APPLY UNLESS OTHERWISE DETAILED ON PROJECT PLANS.

1. STRUCTURAL TUBING SHALL CONFORM TO ASTM A500 OR A-501
2. ALL PLATES, BARS AND ANGLES SHALL CONFORM TO AASHTO M270 GR36.
3. SCUPPER AND ALL RELATED HARDWARE AND INSTALLATION SHALL BE PAID FOR UNDER ITEM 506.60, "STRUCTURAL STEEL".
4. THE TOP SURFACE OF SCUPPER SHALL BE SLOPED TO MATCH ROADWAY SLOPE AND GRADE.
5. THE BAR AND GRATE SECTION OF SCUPPER MAY BE PREFABRICATED PROVIDED THE GEOMETRY AND SECTION PROPERTIES ARE EQUIVALENT TO THE DETAILS SHOWN.
6. ALL SCUPPERS SHALL BE GALVANIZED IN ACCORDANCE WITH ASTM A-123 (AASHTO M 11) AFTER FABRICATION.



PLAN
SCALE 1" = 1'-0"

STATE OF VERMONT AGENCY OF TRANSPORTATION		
Town Of	CAMBRIDGE	Bridge No. 20
Highway No.	VT 15	Log Sta.
		Surv. Sta.
VT 15 OVER LAMOILLE RIVER		
SCUPPER DETAILS		
Designed By	E.A. HARTWELL	Drawn By
Checked By	Date	Bridge Design Supervisor
	R. SACCHI	R. R. WHITCOMB Date 11/3/2006
PROJECT	CAMBRIDGE	PROJECT NO.
		BHF 030-2(19)S
I.G.C. Info.		zb308sdl.dgn
Bridge Sheet No.		Sheet 42 of 68