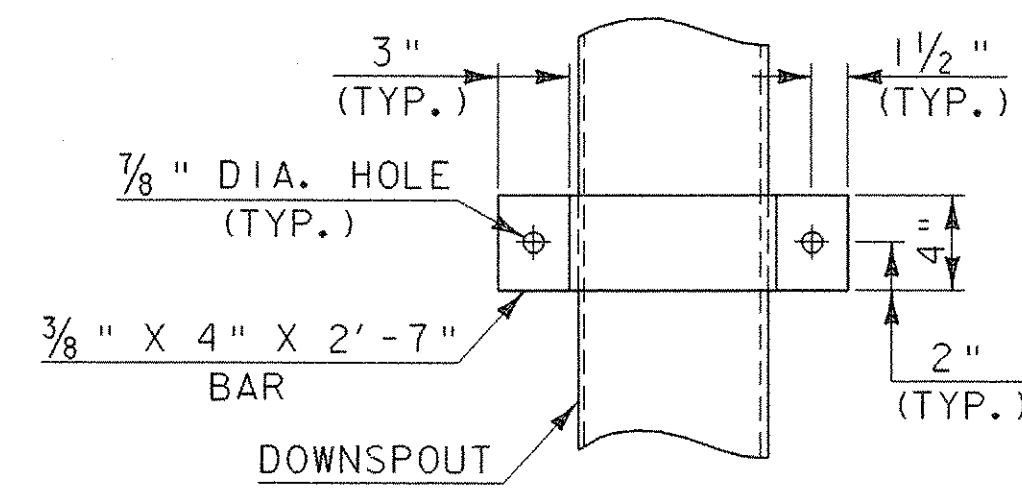


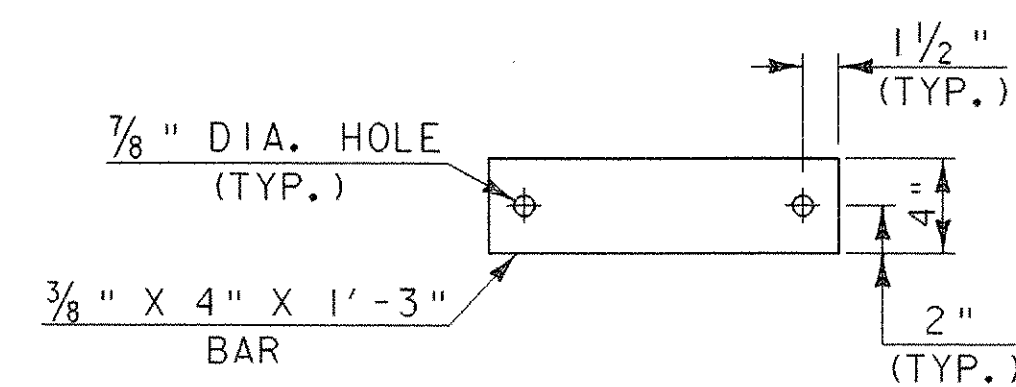
DOWNSPOUT NOTES:

- HOLLOW STRUCTURAL STEEL TUBING SHALL CONFORM TO A500 OR A501.
- ALL PLATES, BARS, AND ANGLES SHALL CONFORM TO AASHTO M270 GR. 36.
- DOWNSPOUT SHALL BE GALVANIZED IN ACCORDANCE WITH AASHTO M 111M/M 111.
- ALL BOLTS AND RELATED HARDWARE SHALL BE ASTM A307 AND SHALL BE GALVANIZED IN ACCORDANCE WITH ASTM A153 (AASHTO M232).
- DOWNSPOUT SHALL BE PAID FOR UNDER ITEM 506.60, "STRUCTURAL STEEL". ALL ANCHOR BOLTS WITH RELATED HARDWARE AND INSTALLATION SHALL BE INCIDENTAL TO ITEM 506.60, "STRUCTURAL STEEL".
- ANY PLACE WHERE THE GALVANIZING HAS BEEN REMOVED FROM THE DOWNSPOUT EITHER BY CUTTING, BURNING, WELDING, PLACING OR ANY OTHER MEANS, IT SHALL BE REPAIRED BY THOROUGHLY CLEANING THE DAMAGED AREAS WITH A WIRE BRUSH AND PAINTING THE DAMAGED AREAS WITH AN APPROVED SEALANT IN ACCORDANCE WITH 513 SUPPLEMENTAL SPECIFICATIONS. THIS WORK SHALL BE INCIDENTAL TO ITEM 506.60, "STRUCTURAL STEEL".



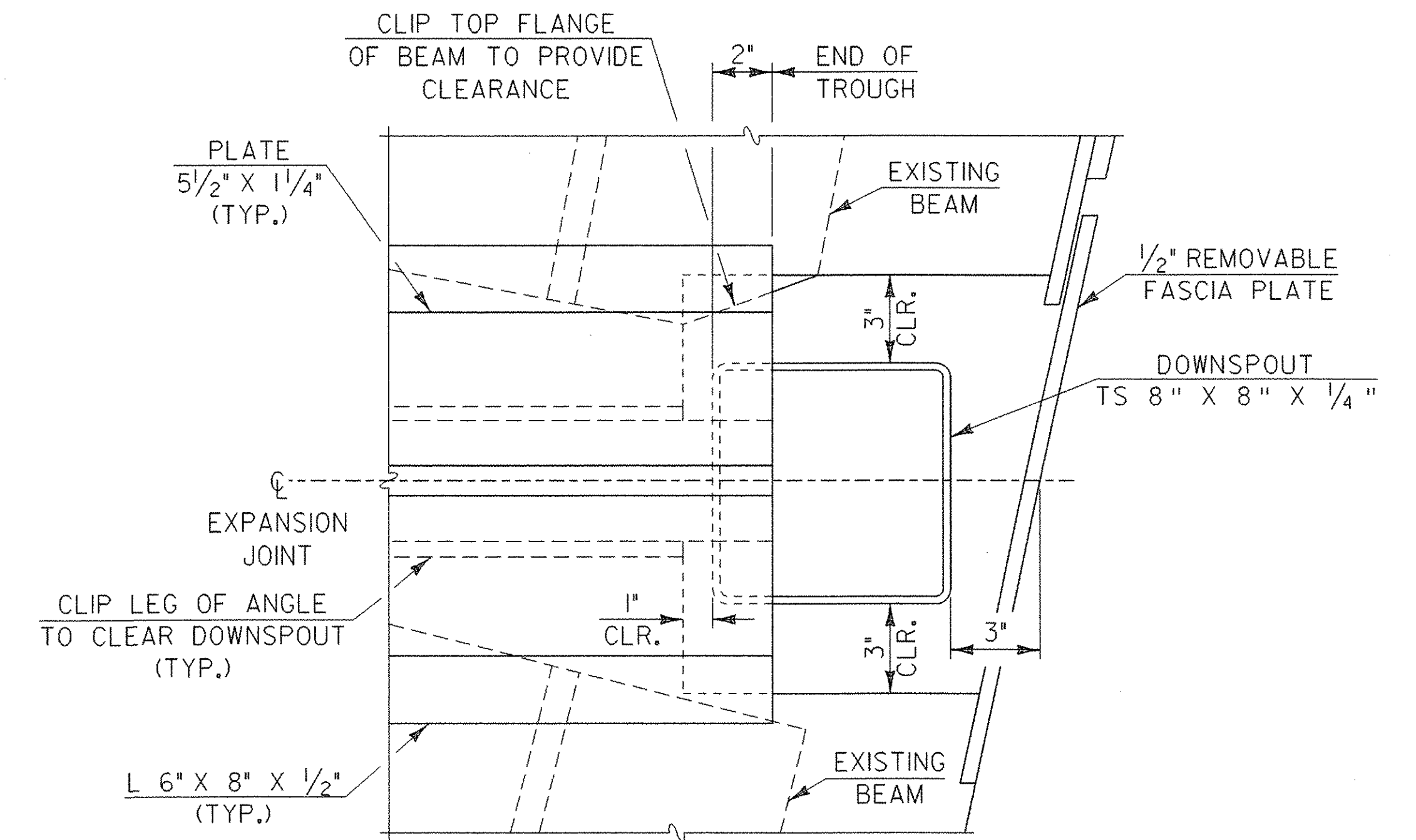
ELEVATION VIEW OF BAR "A"

SCALE: 1/2" = 1'-0"



ELEVATION VIEW OF BAR "B"

SCALE: 1/2" = 1'-0"

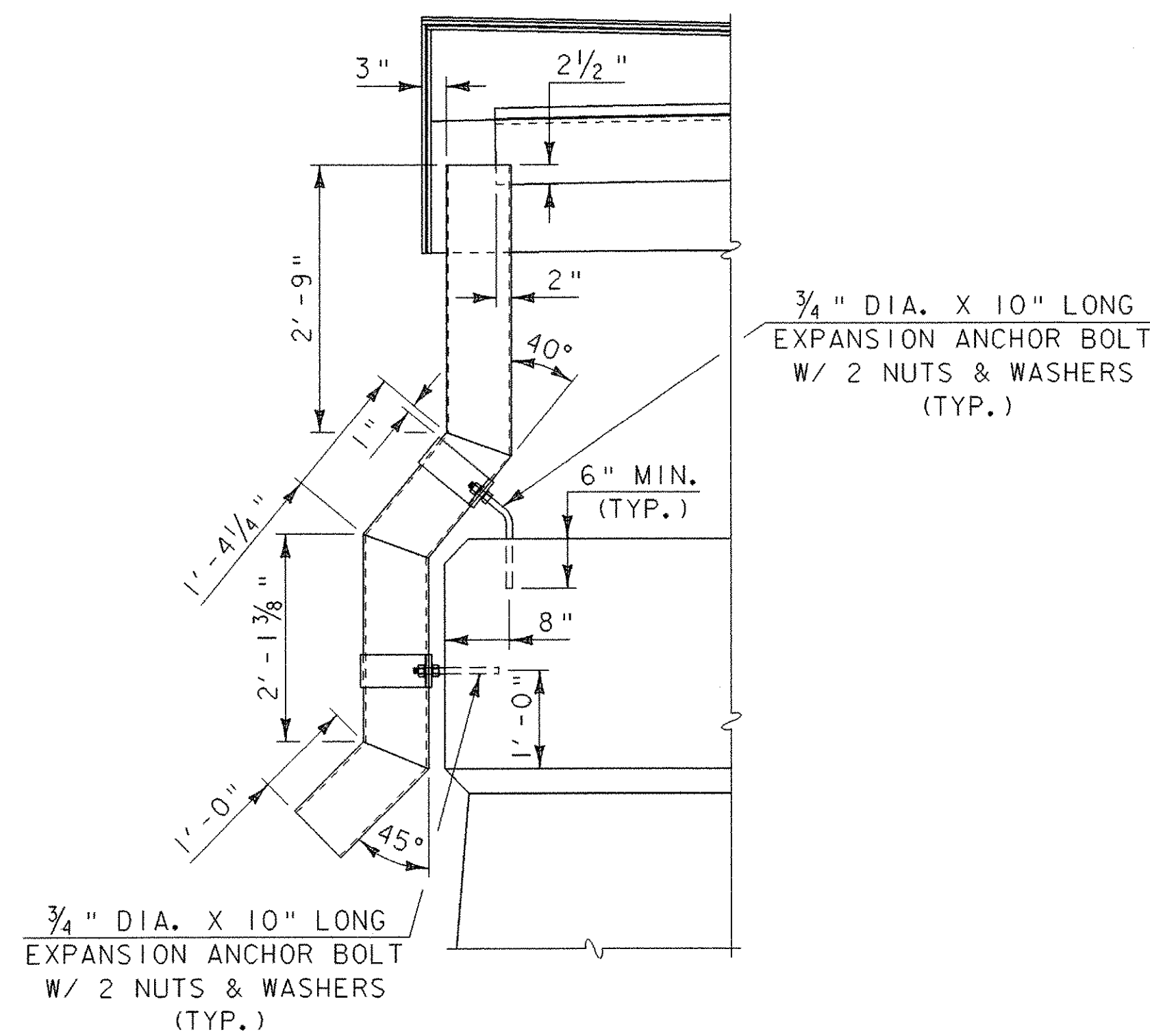


NOTES:

- BOTTOM OF DECK TO BE BOXED OUT AS SHOWN TO ALLOW DOWNSPOUT TO COME UP UNDERNEATH THE DRAIN TROUGH.
- DECK REINFORCING STEEL TO BE CUT AS REQUIRED TO MAINTAIN 3" CLEARANCE FROM BOXOUT.

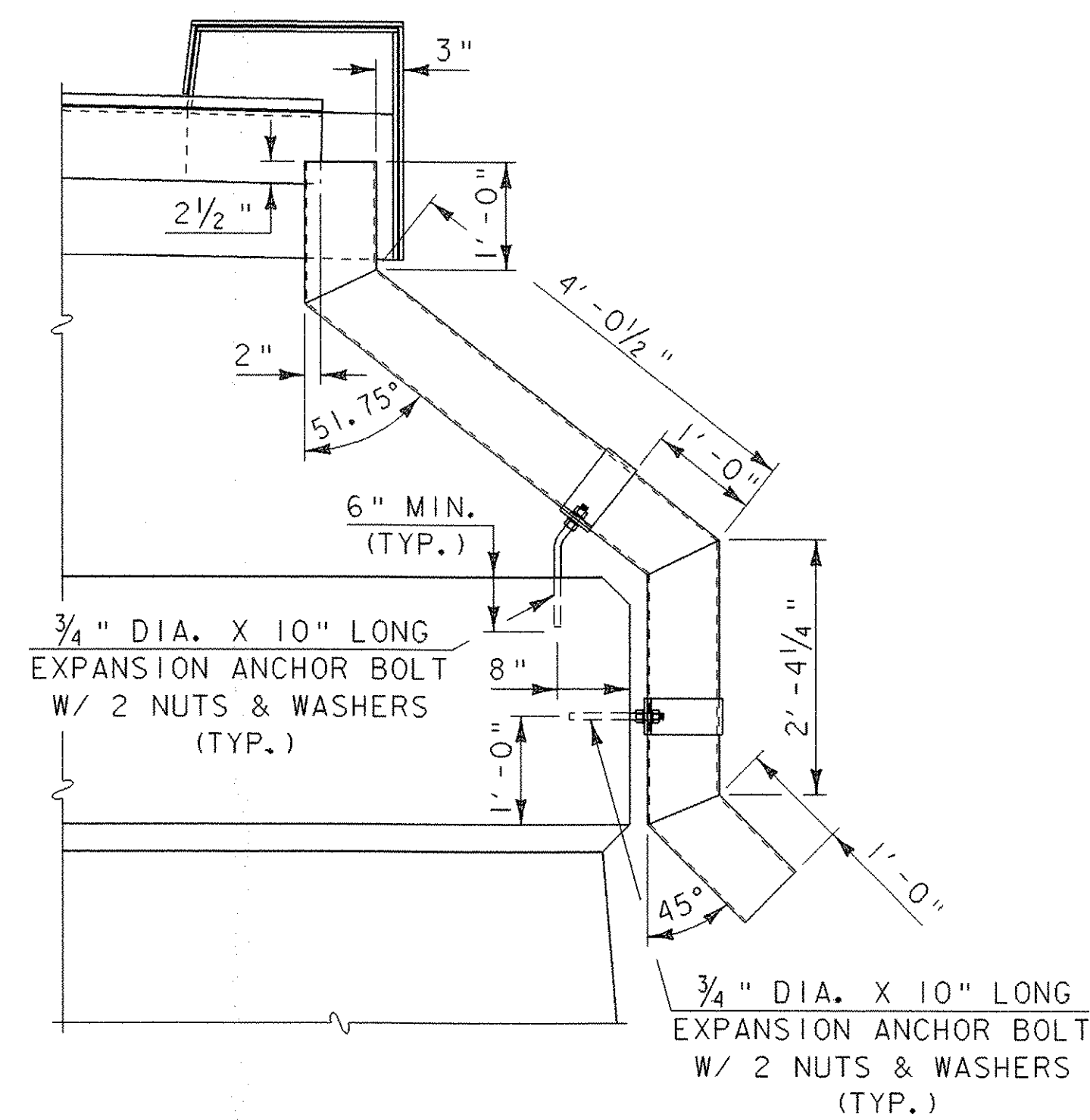
PLAN VIEW OF DECK BOXOUT FOR DOWNSPOUT

SCALE: 3" = 1'-0"



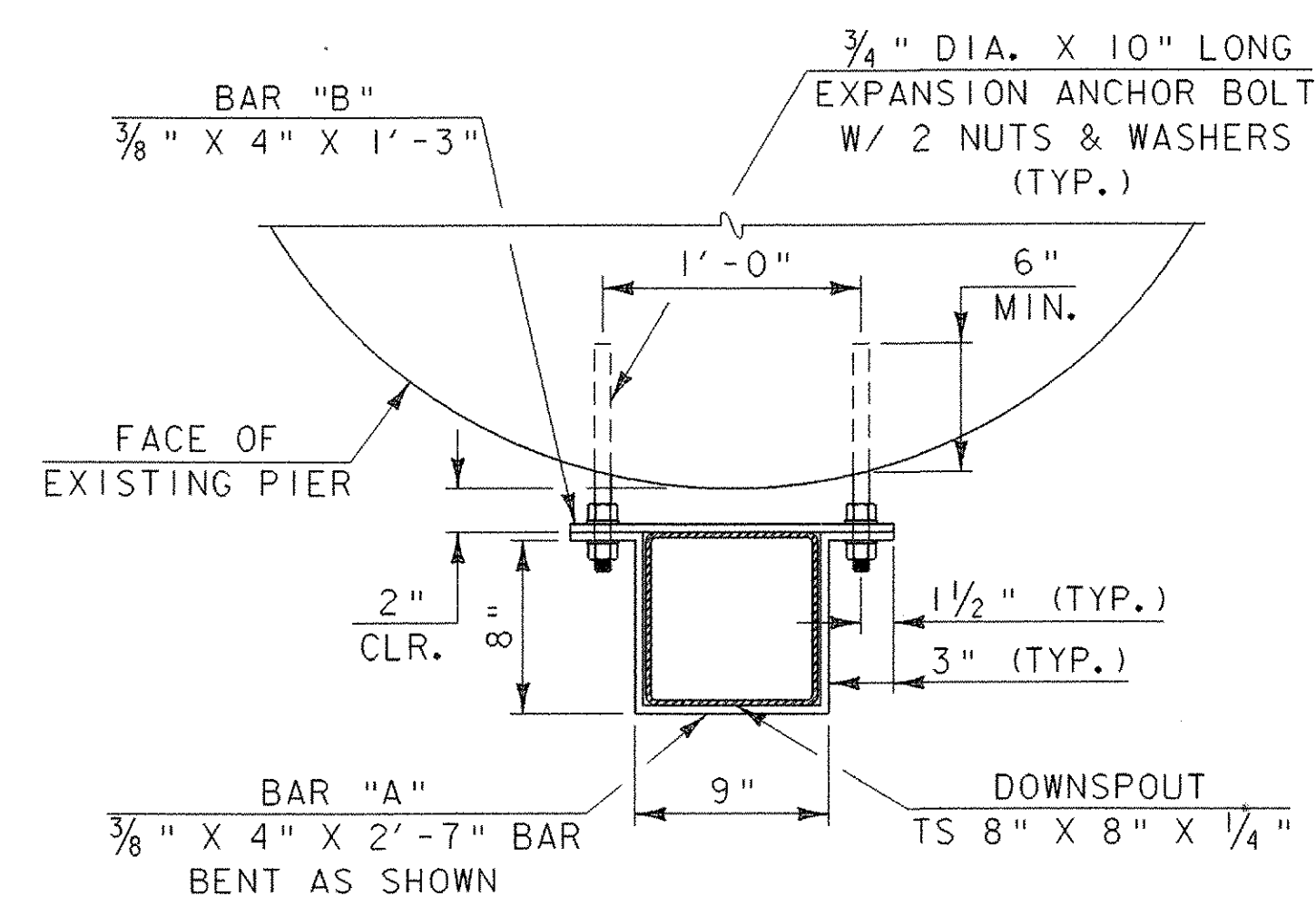
DOWNSPOUT ELEVATION AT SIDEWALK FASCIA

SCALE: 3/4" = 1'-0"



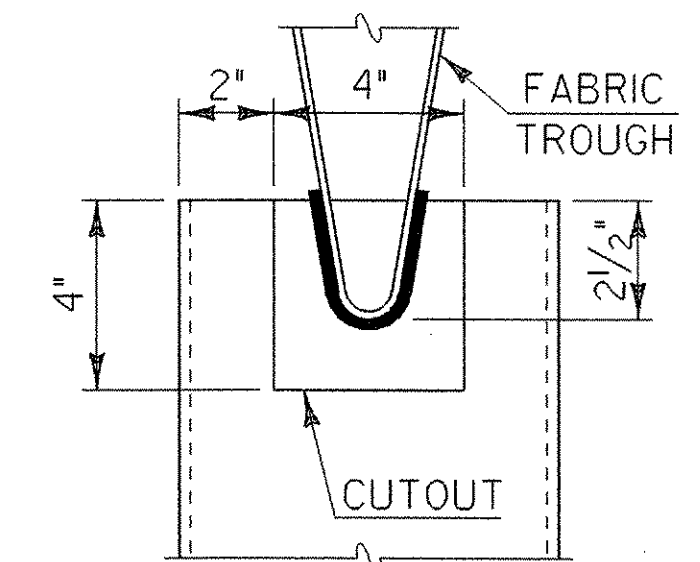
DOWNSPOUT ELEVATION AT CURB FASCIA

SCALE: 3/4" = 1'-0"



DETAIL FOR ATTACHING DOWNSPOUT TO PIER PLAN VIEW

SCALE: 1/2" = 1'-0"



DOWNSPOUT CUTOUT DETAIL

SCALE: 3" = 1'-0"

STATE OF VERMONT AGENCY OF TRANSPORTATION

Town Of	CAMBRIDGE	Bridge No.	20
Highway No.	VT 15	Log Sta.	
		Surv. Sta.	
VT 15 OVER LAMOILLE RIVER			
DOWNSPOUT DETAILS			
Designed By	E.A. HARTWELL	Drawn By	V. COMMISSO
Checked By	Date	Bridge Design Supervisor	
	R. SACCHI	R. R. WHITCOMB	Date 11/3/2006
PROJECT	CAMBRIDGE	PROJECT NO.	BHF 030-2(1)S
I.G.C. Info.		zb308sd2.dgn	
Bridge Sheet No.		Sheet 41 of 68	