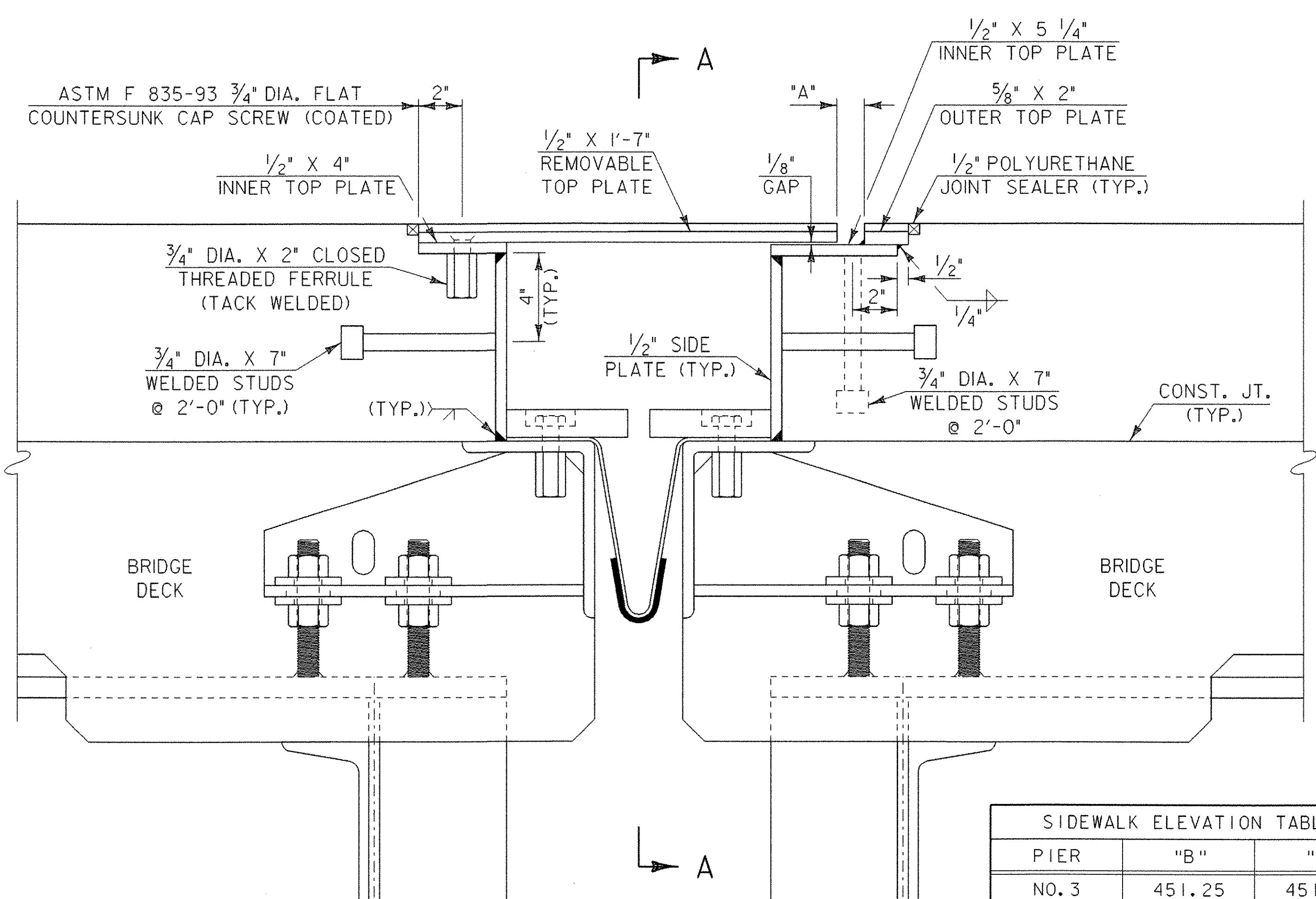


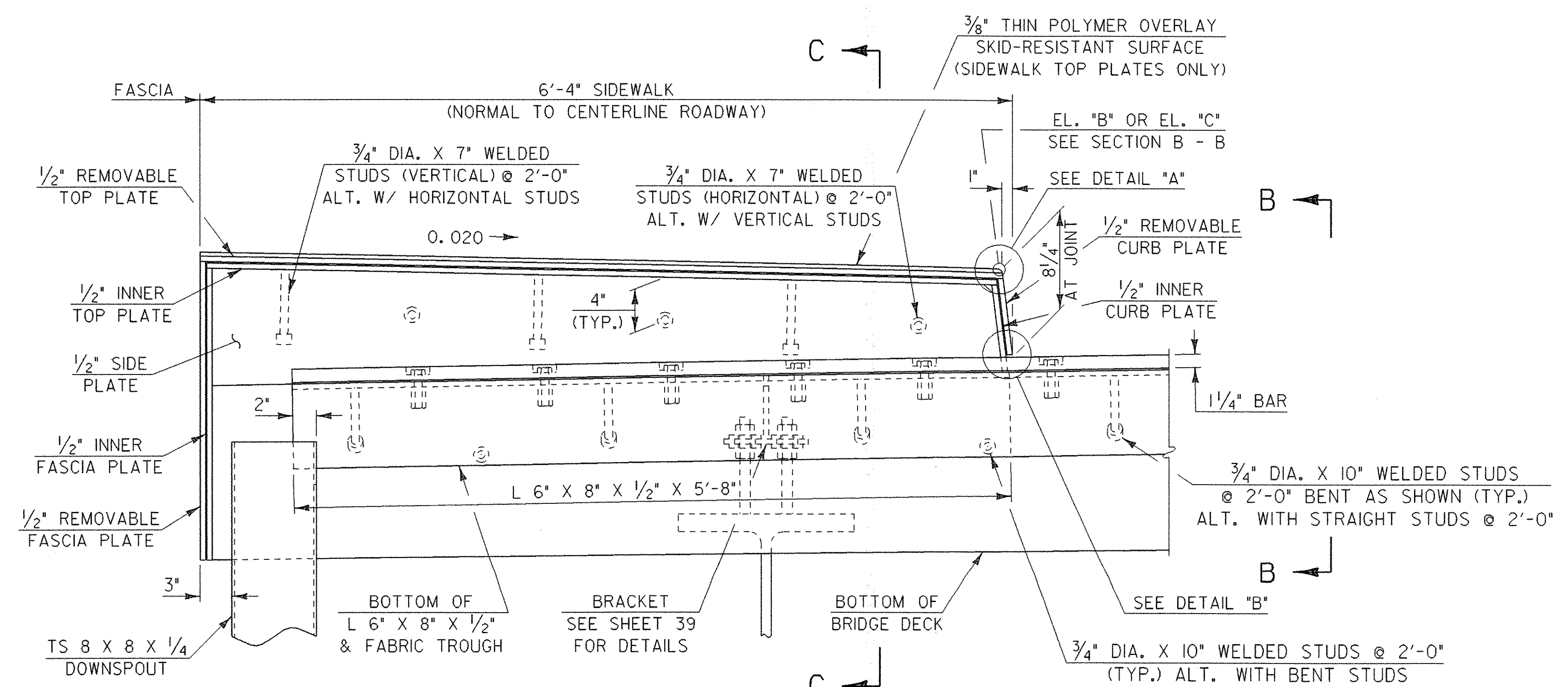
SECTION B - B
SCALE: 3" = 1'-0"



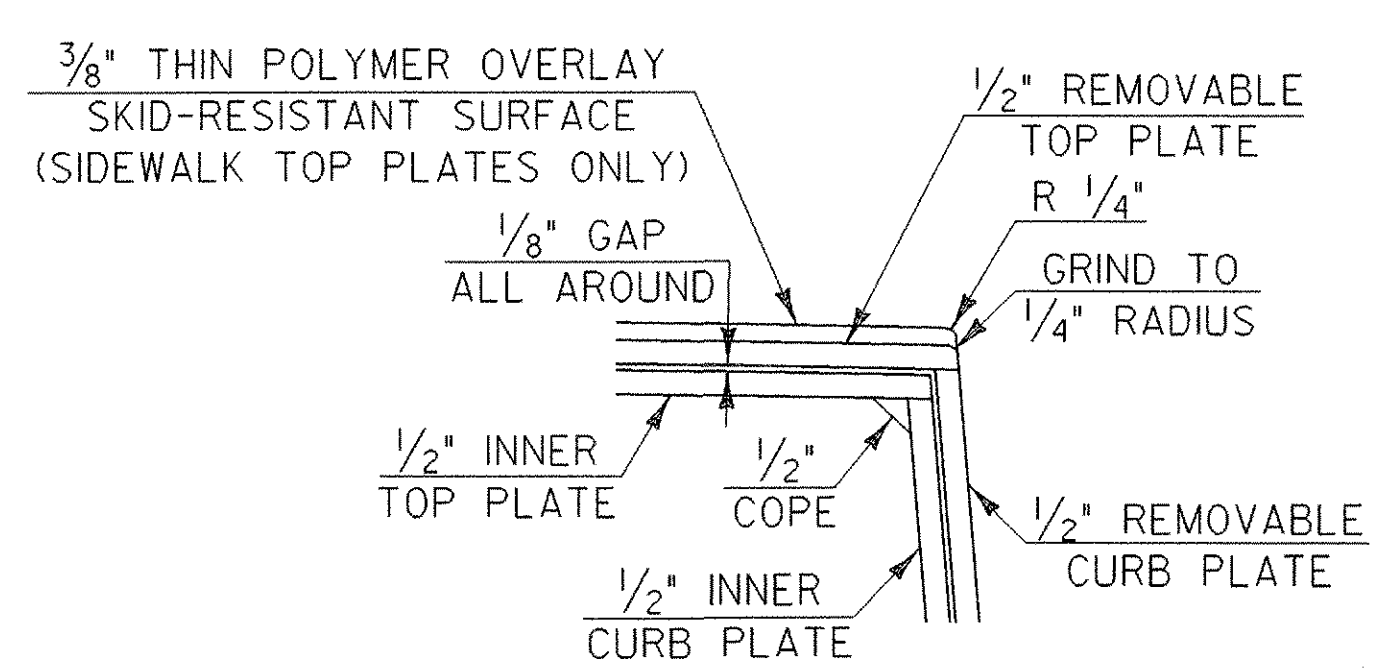
SECTION C - C
SCALE: 3" = 1'-0"

SIDEWALK ELEVATION TABLE		
PIER	"B"	"C"
NO. 3	451.25	451.23
NO. 4	452.12	452.10

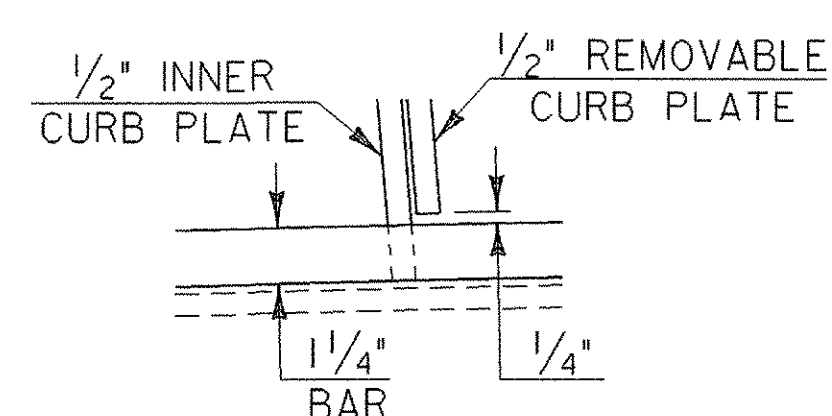
CURB ELEVATION TABLE		
PIER	"B"	"C"
NO. 3	451.15	451.13
NO. 4	451.99	451.98



SECTION A - A
SCALE: 3" = 1'-0"
(CHRR SIMILAR)



DETAIL "A"
SCALE: 3" = 1'-0"



DETAIL "B"
SCALE: 3" = 1'-0"

TEMP	"A" PIER 3	"A" PIER 4
0°F	2"	1 3/16"
15°F	1 3/4"	1 3/8"
30°F	1 1/2"	1 3/16"
45°F	1 1/4"	1"
60°F	1"	13/16"
75°F	3/4"	5/8"
90°F	1/2"	7/16"
105°F	1/4"	1/4"

**STATE OF VERMONT
AGENCY OF TRANSPORTATION**

Town Of	CAMBRIDGE	Bridge No.	20
Highway No.	VT 15	Log Sta.	
		Surv. Sta.	
VT 15 OVER LAMOILLE RIVER			
EXPANSION JOINT DETAILS (SHEET 2)			
Designed By	E.A. HARTWELL	Drawn By	R.A. ROSS
Checked By	R. SACCHI	Bridge Design Supervisor	R. R. WHITCOMB
PROJECT	CAMBRIDGE	PROJECT NO.	BHF 030-2(19)S
I.G.C. Info.			zb308ej4.dgn
Bridge Sheet No.		Sheet	40 of 68