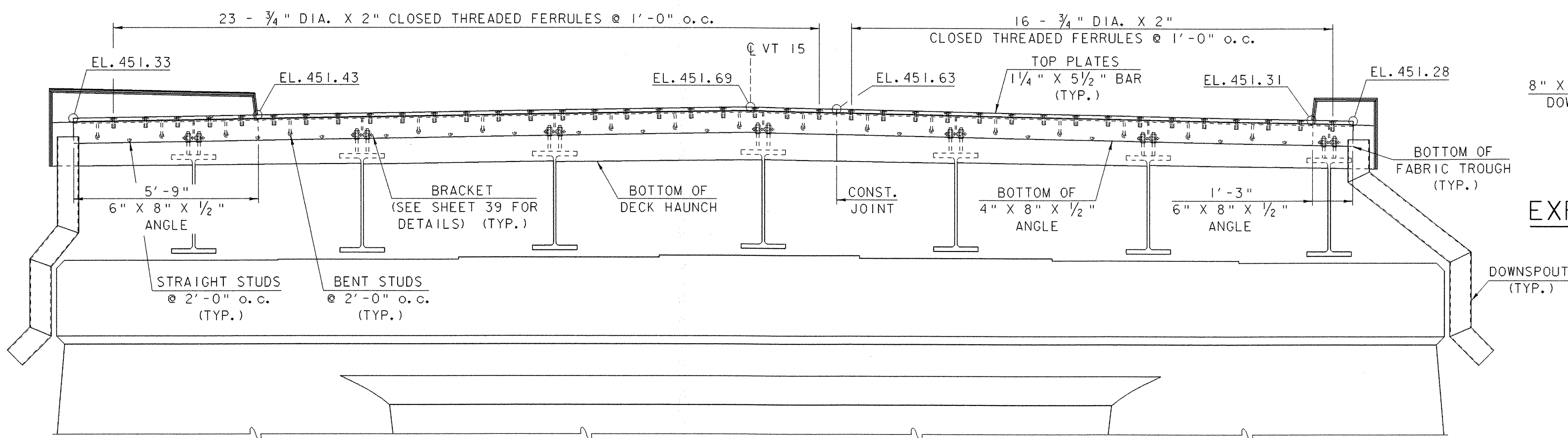


**BRIDGE EXPANSION JOINT
AT PIER NO. 4**

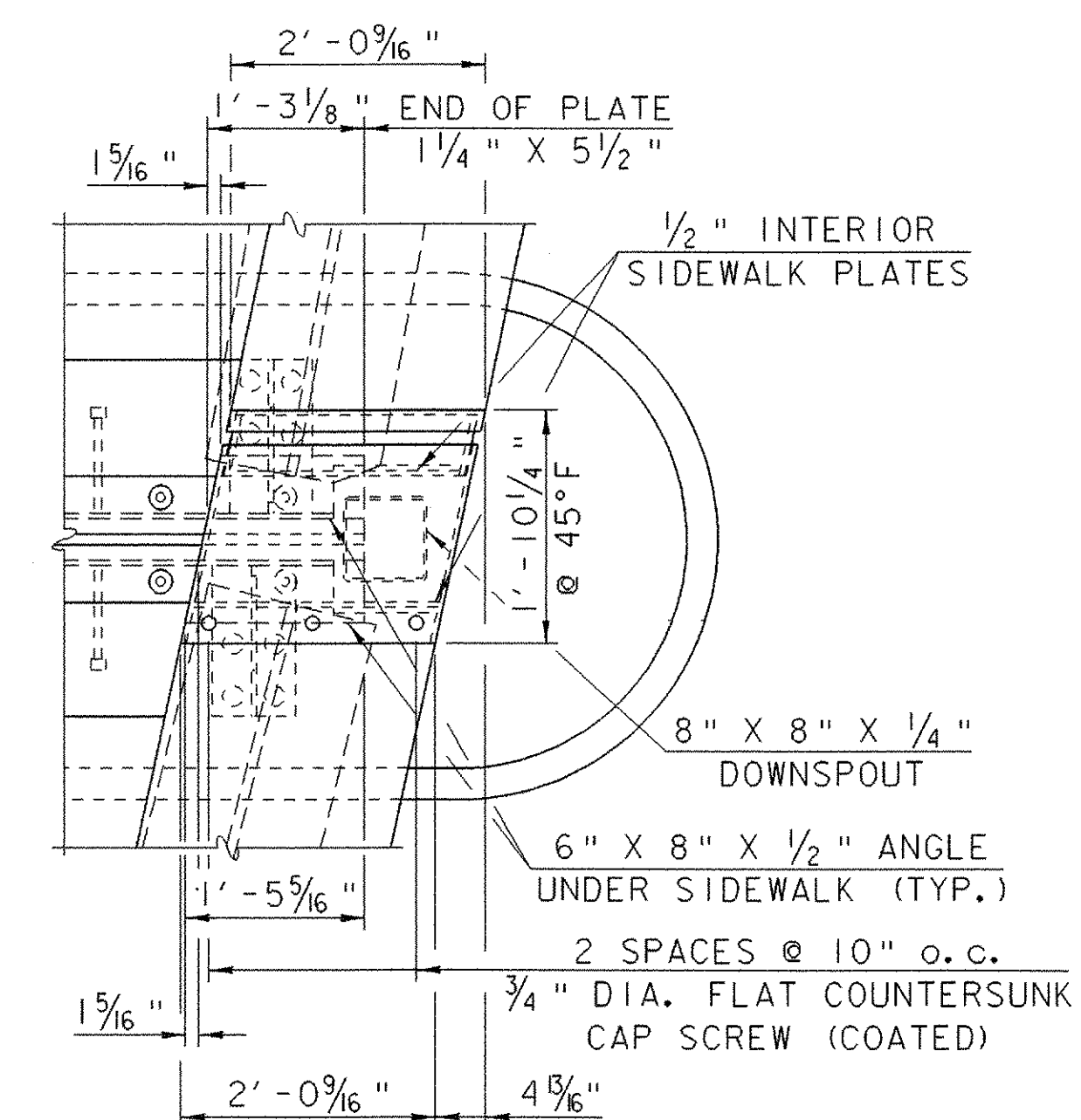
SCALE: 1/2" = 1'-0"



SECTION B-B

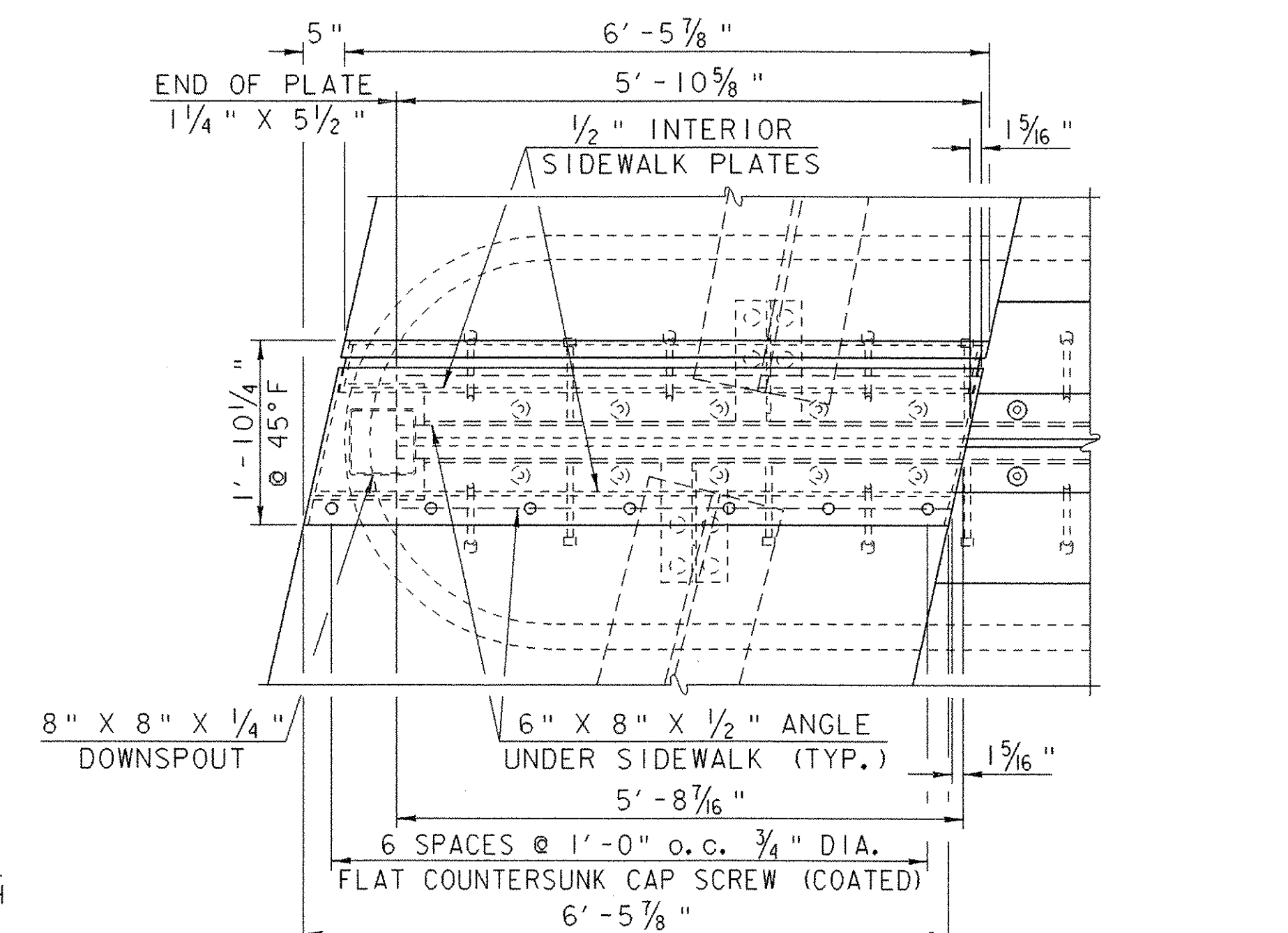
SCALE: 1/2" = 1'-0"

NOTE:
ELEVATIONS GIVEN AT TOP OF PLATES
ALONG CENTERLINE OF EXPANSION JOINT.



EXPANSION JOINT DETAIL AT CURB

SCALE: 3/4" = 1'-0"
(STUDS FOR CURB PLATES NOT SHOWN)



EXPANSION JOINT DETAIL AT SIDEWALK

SCALE: 3/4" = 1'-0"
(STUDS FOR SIDEWALK PLATES NOT SHOWN)

**STATE OF VERMONT
AGENCY OF TRANSPORTATION**

Town Of	CAMBRIDGE	Bridge No.	20
Highway No.	VT 15	Log Sta.	
		Surv. Sta.	
VT 15 OVER LAMOILLE RIVER			
EXPANSION JOINT - PIER NO. 4			
Designed By	E.A. HARTWELL	Drawn By	R.A. ROSS
Checked By	Date	Bridge Design Supervisor	
	R. SACCHI	R. R. WHITCOMB	Date 11/3/2006
PROJECT	CAMBRIDGE	PROJECT NO.	BHF 030-2(19)S
I.G.C. Info.		zb308ej2.dgn	
Bridge Sheet No.		Sheet 38	of 68