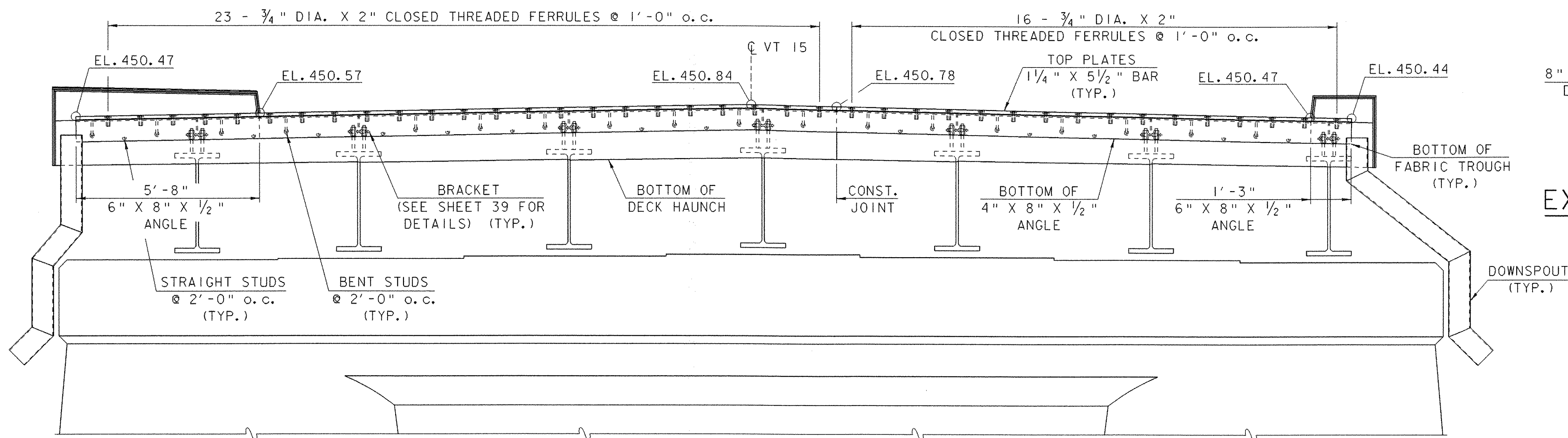


**BRIDGE EXPANSION JOINT  
AT PIER NO. 3**

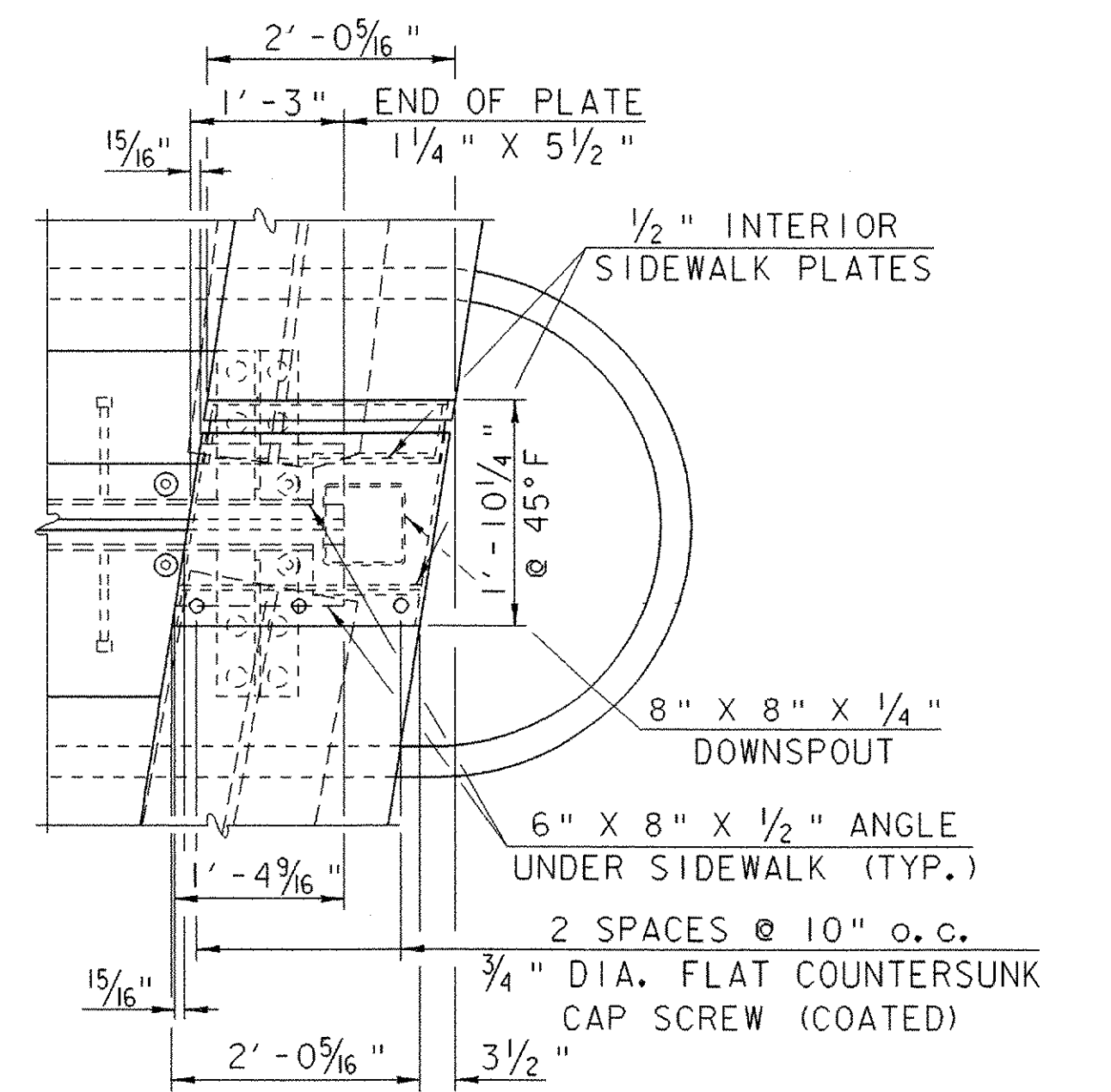
SCALE: 1/2" = 1'-0"



**SECTION A-A**

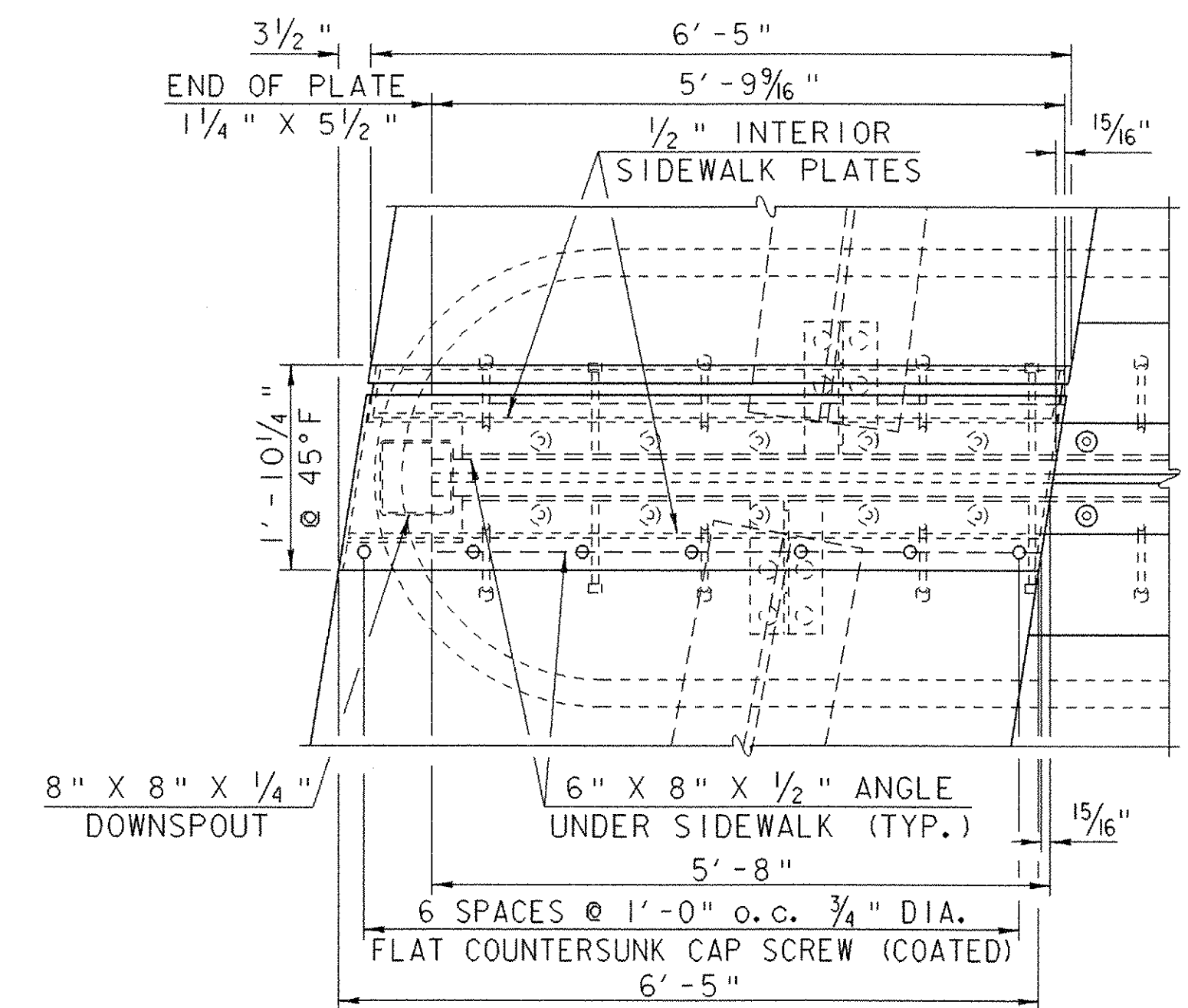
SCALE: 1/2" = 1'-0"

**NOTE:**  
ELEVATIONS GIVEN AT TOP OF PLATES  
ALONG CENTERLINE OF EXPANSION JOINT.



**EXPANSION JOINT DETAIL AT CURB**

SCALE: 3/4" = 1'-0"  
(STUDS FOR CURB PLATES NOT SHOWN)



**EXPANSION JOINT DETAIL AT SIDEWALK**

SCALE: 3/4" = 1'-0"  
(STUDS FOR SIDEWALK PLATES NOT SHOWN)

**STATE OF VERMONT  
AGENCY OF TRANSPORTATION**

Town of	CAMBRIDGE	Bridge No.	20
Highway No.	VT 15	Log Sta.	
		Surv. Sta.	
<b>VT 15 OVER LAMOILLE RIVER EXPANSION JOINT - PIER NO. 3</b>			
Designed By	E.A. HARTWELL	Drawn By	R.A. ROSS
Checked By	Date	Bridge Design Supervisor	
	R. SACCHI	R. R. WHITCOMB	Date 11/3/2006
PROJECT	CAMBRIDGE	PROJECT NO.	BHF 030-2(19)S
I.G.C. Info.			zb308e.lldgn
Bridge Sheet No.		Sheet	37 of 68