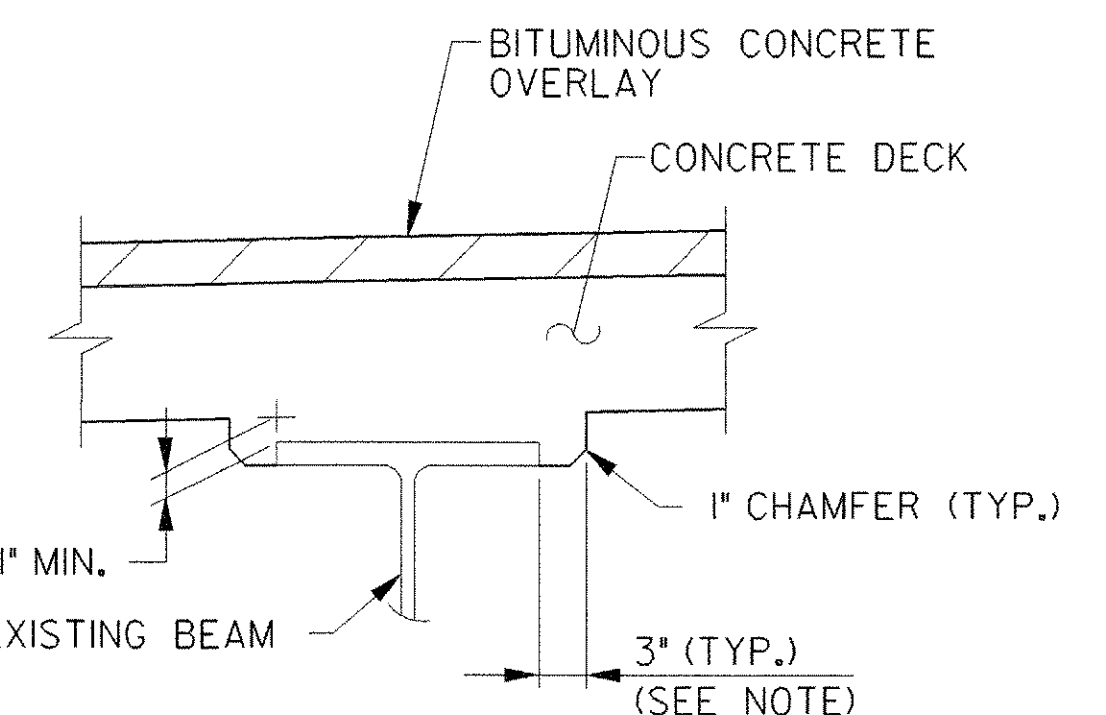


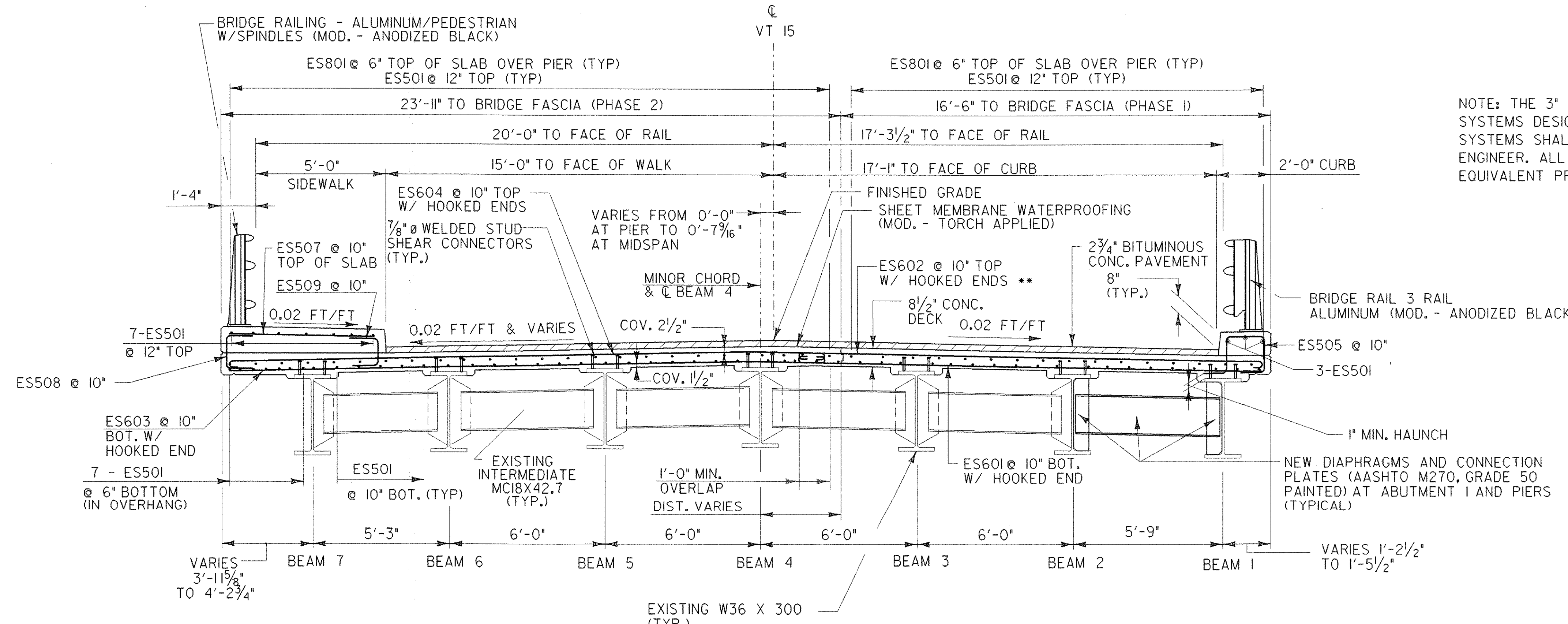
BRIDGE TYPICAL SECTION (SPAN 1)
SCALE: 3/8" = 1'-0"

- NOTES:**
1. SEE SHEET 52 FOR SIDEWALK AND CURB DETAILS.
 2. SEE SHEETS 54 - 56 FOR BRIDGE RAILING DETAILS.
 3. SEE SHEET 44 FOR LONGITUDINAL JOINT DETAILS.



BEAM HAUNCH DETAIL
N.T.S.

NOTE: THE 3" HORIZONTAL SECTION MAY BE ELIMINATED FOR FORMING SYSTEMS DESIGNED FOR THE CONSTRUCTION OF VERTICAL HAUNCHES. SYSTEMS SHALL BE SUBMITTED FOR APPROVAL TO THE STRUCTURES ENGINEER. ALL VOIDS SHALL BE FILLED WITH MORTAR, TYPE IV OR AN EQUIVALENT PRODUCT FROM THE APPROVED PRODUCTS LIST.



BRIDGE TYPICAL SECTION (SPANS 2-5)
SCALE: 3/8" = 1'-0"

** SLANT HOOKS AS NECESSARY TO MAINTAIN CLEARANCES

**STATE OF VERMONT
AGENCY OF TRANSPORTATION**

Town of	CAMBRIDGE	Bridge No.	20
Highway No.	VT 15	Log Sta.	
VT 15 OVER LAMOILLE RIVER		Surv. Sta.	
DECK REINFORCING (TYPICAL SECTIONS)			
Designed By	E.A.HARTWELL	Drawn By	R. A. ROSS
Checked By	R. SACCHI	Date	Bridge Design Supervisor
		R. R. WHITCOMB	Date 11/3/2006
PROJECT	CAMBRIDGE	PROJECT NO.	BHF 030-2(19)S
I.G.C. Info.	zb308dr1.dgn		
Bridge Sheet No.	Sheet 27 of 68		