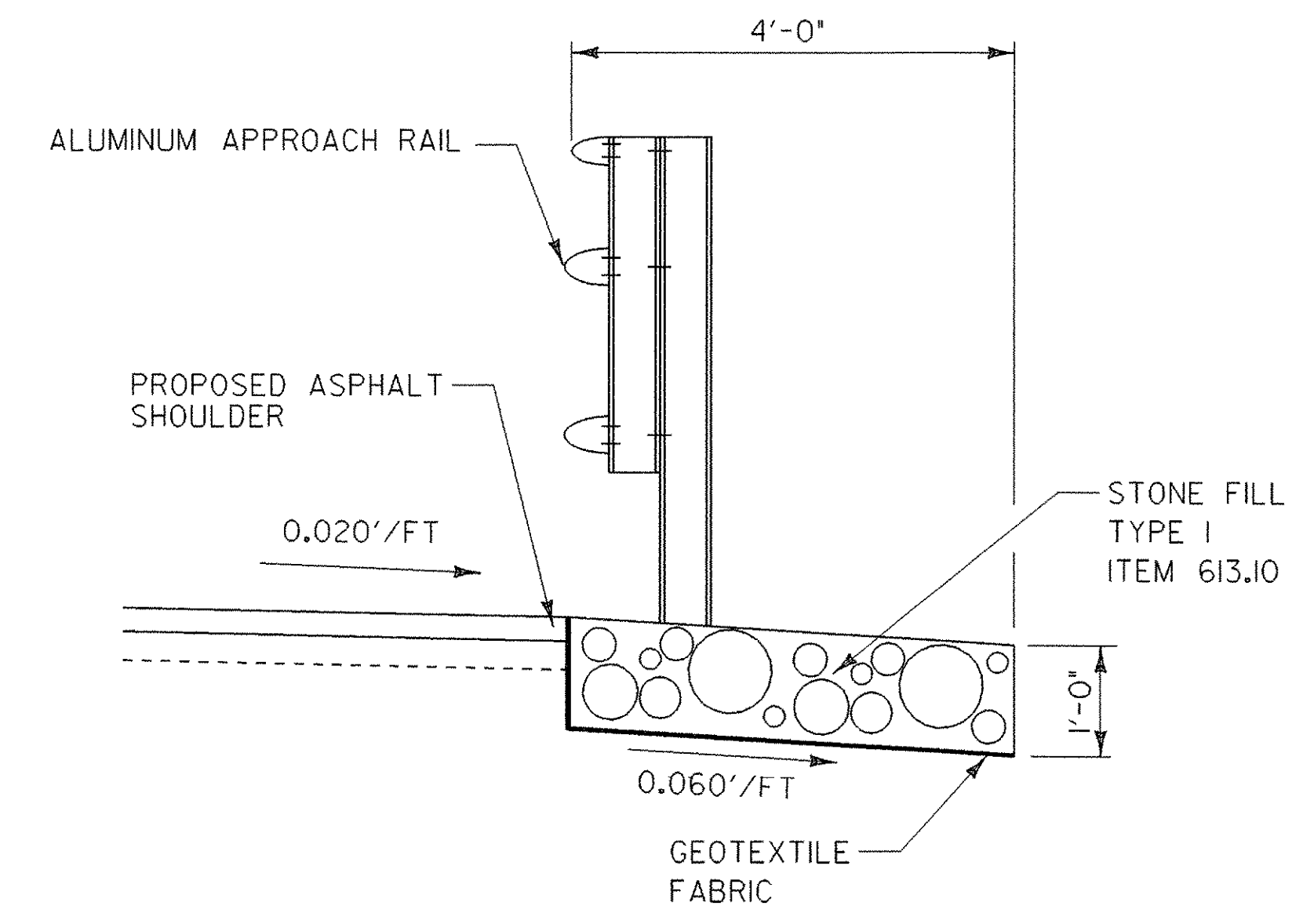


INTERSECTION GRADING PLAN

DATUM	
VERTICAL	_____
HORIZONTAL	_____



STONE FILL, TYPE I DETAIL

(NTS)
STA 19+01 RT. TO STA 19+19 RT.

INTERSECTION GRADING PLAN/ROADWAY DETAILS

PROJECT NAME: CAMBRIDGE	PLOT DATE: 22-NOV-2006
PROJECT NUMBER: BHF 030-2 (19) S	DRAWN BY: C. L. SZCZEPANSKI
FILE NAME: ZB308GPI.DGN	CHECKED BY: M. K. CHEVALIER
PROJECT LEADER: M. K. CHEVALIER	DESIGNED BY: B. W. ERNST
	SHEET 13 OF 68