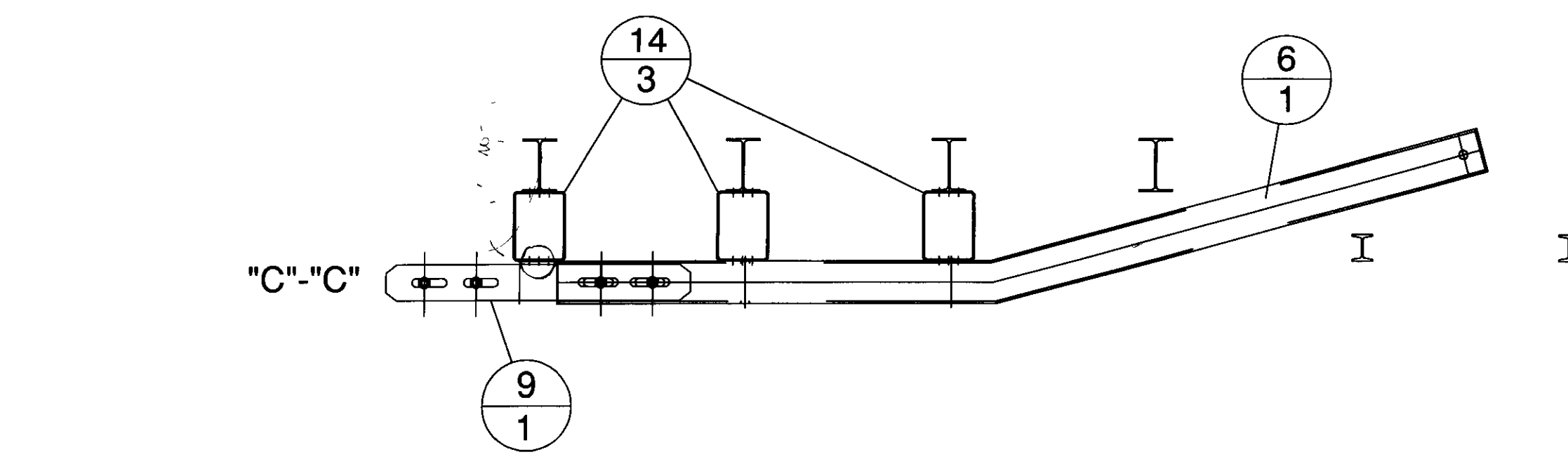
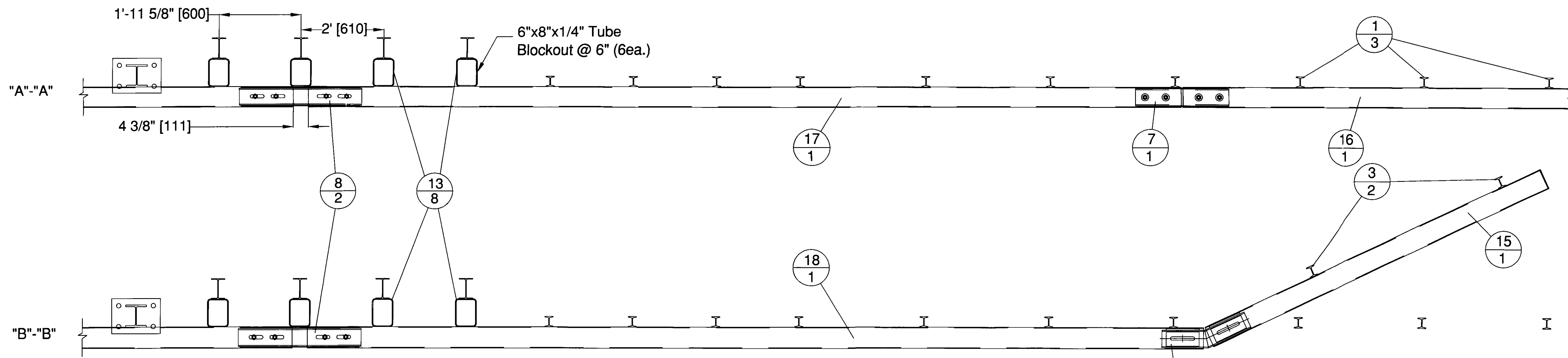
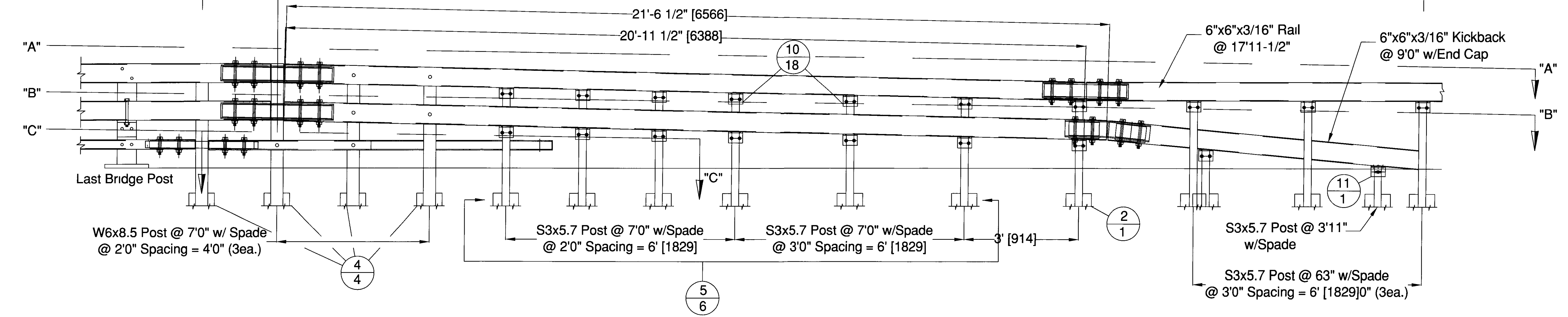


31'-11⁵/₈" [9744] PAY LIMIT FOR SPECIAL PROVISION GUARD RAIL APPROACH SECTION



BILL OF MATERIALS				
ITEM #	QTY	COMPONENT #	DESCRIPTION	MATERIAL (ASTM)
1	12	0013 01542	3' I-UNIV POST W/SPD @63' LG	A36
2	4	0013 02712	3' I-POST, PUNCH 8", 20", & 22" W/SPD @63' LG	A36
3	8	0013 02713	3' I-END POST W/SPD @ 3'11" LG	A36
4	16	0013 23920	W6X8.5# POST @ 7' W/SPD & 5/8" HOLE	A36
5	24	0013 57010	3' I-POST, PUNCH 8" & 20", W/8X32" SPADE @7"	A36
6	4	0033 80403	3X5" BTM TRANS RAIL W/4'11" KB, EXP END	A500 Gr B
7	4	0033 00640	5X5 TUBE SPLICE @27" LG W/ 1/4" SHIMS	A500 Gr B / A36
8	8	0033 00740	5X5 EXP TUBE SPLICE @ 36" LG W/ 1/4" SHIMS	A500 Gr B / A36
9	4	0033 00940	BR EXP BAR SPLICE 2-1/8" X 4-1/4" @ 36" LG	A36
10	72	0054 00050	REG BB SHELF ANGLES @ 4-1/2"	A36
11	4	0054 00052	DWY BB SHELF ANGLES @ 4-1/2"	A36
12	4	0054 00074	5X5 DBL BEND TUBE SPL @ 27" LG	A500 Gr B / A36
13	32	0054 00583	6X8" TUBE B/D W/5/8" SLDT	A500 Gr B
14	12	0054 00585	6X8" TRANS TUBE B/D @ 3' LG	A500 Gr B
15	4	0054 09000	6X6" BB @ 9'-0" KICKBACK, W/ CAP	A500 Gr B / A36
16	2	0054 18000	6X6" BB @ 17'-11 1/2", DRILL 3" CC	A500 Gr B
17	4	0054 90092	6X6" BB TOP TRANS @ 20'-11 1/2" LG W/EXP END	A500 Gr B
18	4	0054 90093	6X6" BB BTM TRANS @ 21'-6 1/2" LG W/EXP END	A500 Gr B
19	72	0080 03355	3/8" X 7 1/2" BOLT, NUT, & 2 FW	A307
20	76	0080 04100	1/2" X 1-1/2" BOLT, NUT, & FW	A307
21	88	0080 04120	1/2" X 1-1/2" BOLT, NUT, & FW & LW	A307
22	16	0080 06255	3/4" X 4-1/2" BOLT, NUT, 2 FW	A325
23	8	0080 06325	3/4" X 7" CARR BOLT, NUT, FW & LW	A307
24	48	0080 06340	3/4" X 7-1/2" BOLT, NUT, 2 FW	A325
25	16	0080 06370	3/4" X 8" CARR BOLT, NUT, FW & LW	A307
26	8	0080 06400	3/4" X 8" BOLT, NUT, 2 FW, & LW	A325

ITEM # 900 640²⁰ GEN CONTR F R LAFAYETTE, INC SHEET 3 OF 4

APPROVED BY
RECEIVED
 JUL 06 2009
 APPROVED A.S.N.V.
 DATE 7/2/09

BRIDGE RAIL DETAILS SHEET
 EAST MONTPELIER BRIF 088254
 VT DOT CONTRACT ID 988254
 G.C. WINTERSET, INC

R NO.	DATE	DESCRIPTION	BY	R NO.	DATE	DESCRIPTION	BY

ELDERLEE, INC
 OAKS CORNERS, NEW YORK 14518
 E-Mail: dlong@elderlee.com
 Tel: 315-789-6670 Fax: 315-789-6615

DRAWN EP 6/24/09
 CHECKED D.L. 6/24/09
 APPROVED
 SCALE SCHEMATIC
 DRAWING NO EM09-049 3R