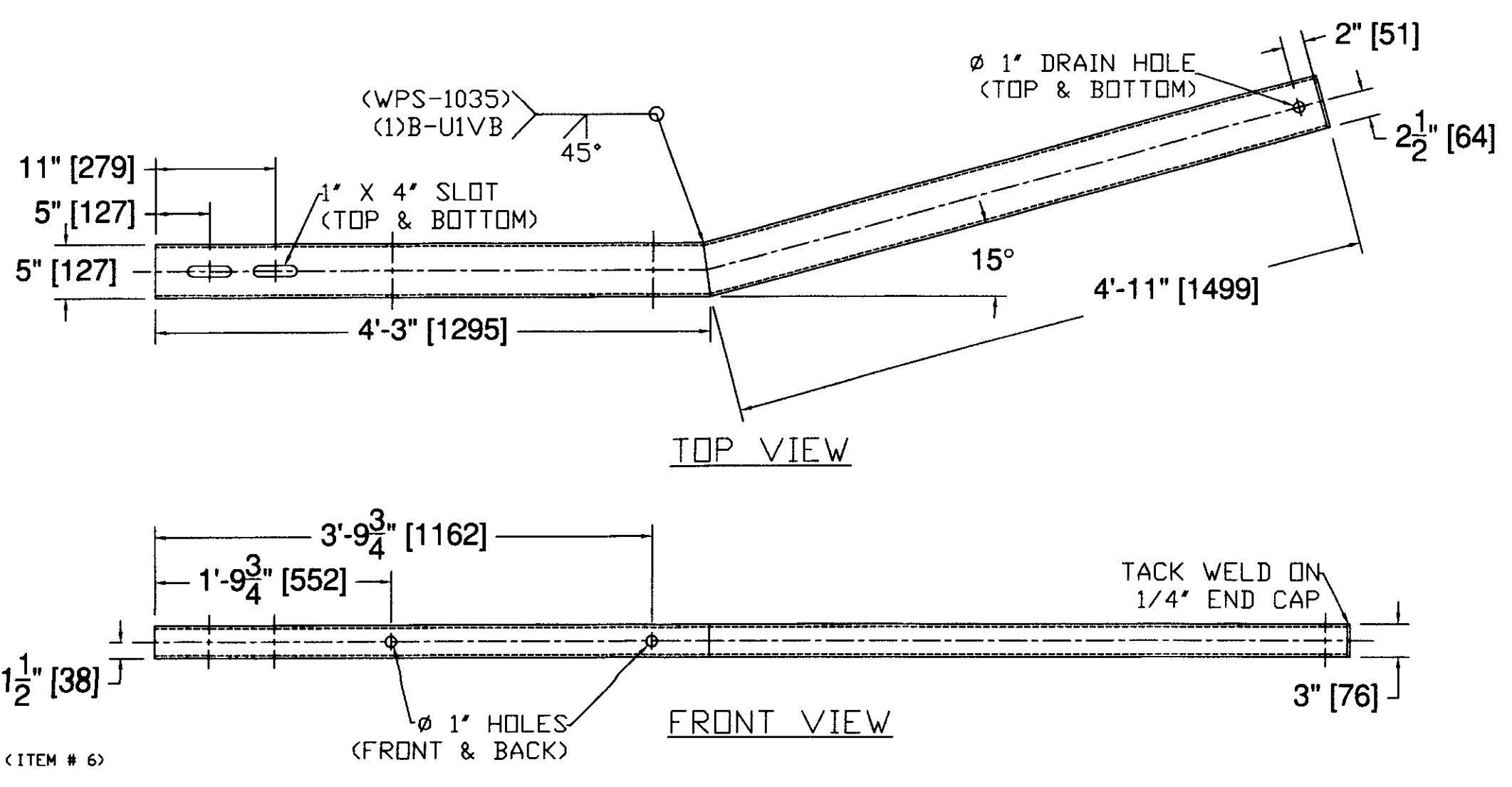


40 767
38 544
2 163

110 167
36 935
3.772

1600



ITEM #: 900.640 GEN CONTR: F.R. LAFAYETTE, INC. SHEET 1 OF 4

APPROVED BY: *[Signature]*

RECEIVED
OK'D BY: *[Signature]*
JUL 06 2009
R. S. C. WIT APPROVED *[Signature]*
BY: kmH DATE: 7-6-09

BRIDGE RAIL DETAILS SHEET
EAST MONTPELIER BR# 028-3(36)
VT AOT CONTRACT ID: 98B254
G.C. WINTERSET, INC.

R	NO.	DATE	DESCRIPTION	BY	R	NO.	DATE	DESCRIPTION	BY
E					E				
V					V				

ELDERLEE, INC.
OAKS CORNERS, NEW YORK 14518
E-Mail: dlong@elderlee.com
Tel 315-789-6670 Fax 315-789-6615

DRAWN: E P 6/24/09
CHECKED: D L 6/24/09
APPROVED: [Signature]
SCALE: SCHEMATIC
DRAWING NO. EM09-049 3R