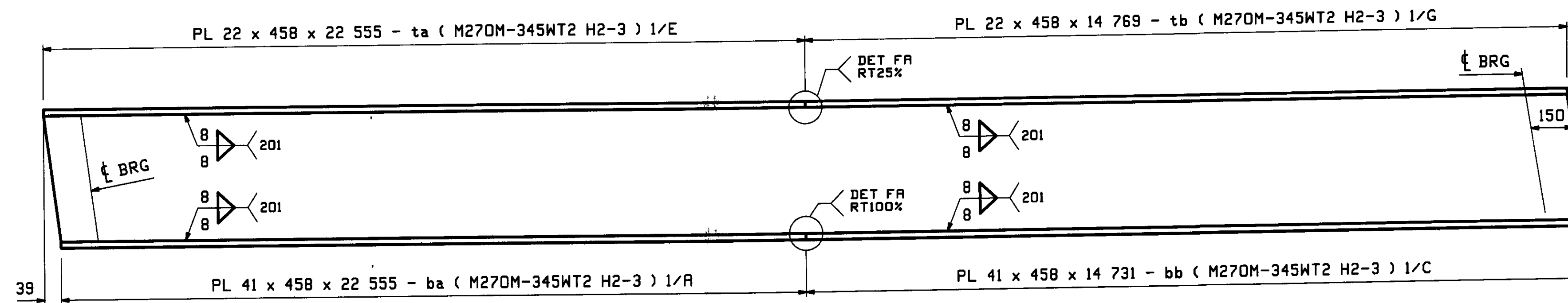
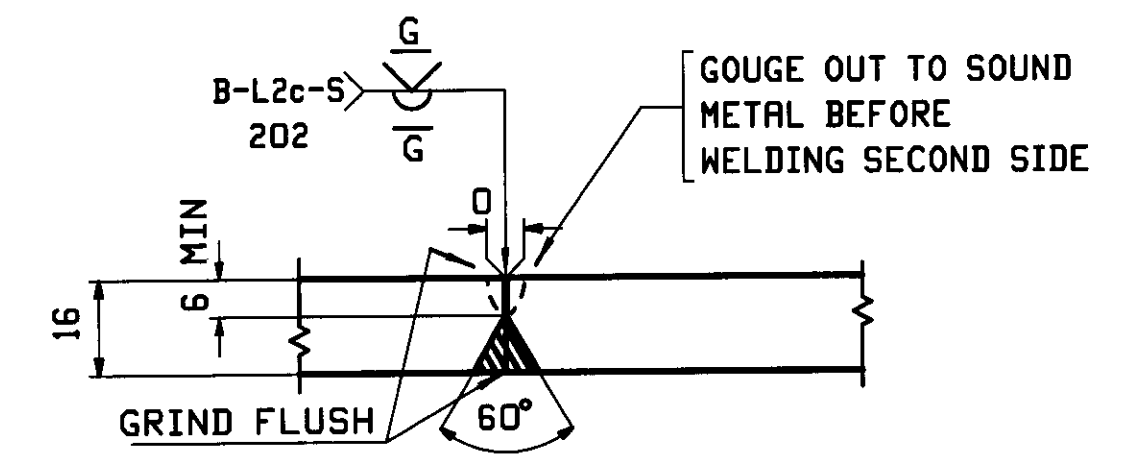


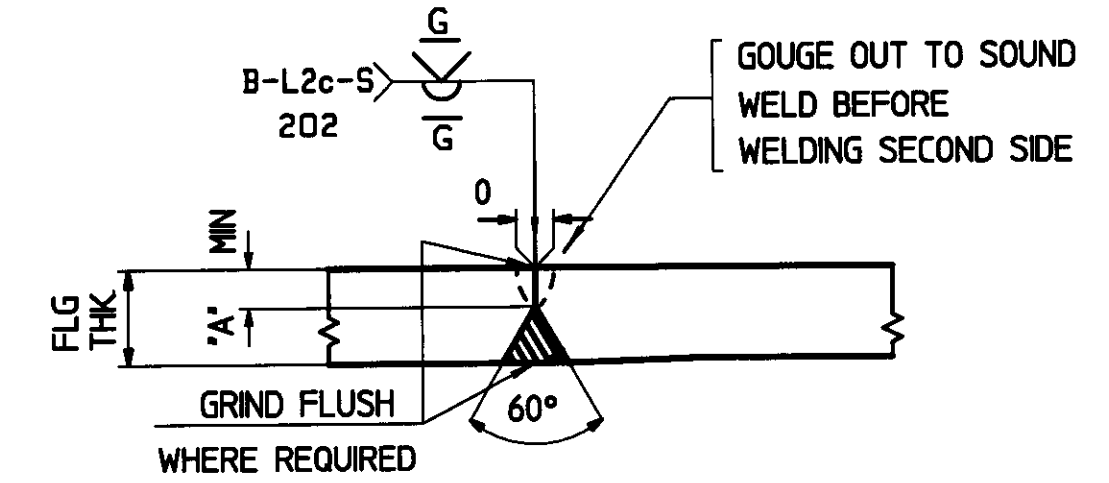
CAMBER DIAGRAM FOR 1G1 THRU 5G5



FLANGE DIAGRAM FOR 1G1 THRU 5G5



WEB PLATE SPLICE DETAIL 'WA'



FLANGE PLATE SPLICE DETAIL 'FA'

FLG THK	'A'
22	6
41	13

RECEIVED
 CK'D BY JEL
 MAY 29 2009
 APPROVED BY KMH
 DATE 5/13/09

- NOTES:**
- FOR GENERAL NOTES SEE DRAWING GNI.
 - H2-3 DENOTES MATERIAL SUBJECT TO CHARPY V-NOTCH TEST AT H FREQ. FOR ZONE 2

				MAY 27 2009		
				APR 15 2009		
REV.	DATE	REMARKS	DWN	CHK	APVL	SHOP
MATERIAL		SURFACE PREP & PAINT		HOLES		SHOP BOLTS
M270M-345W(U)		AS NOTED ON GNI				
DESCRIPTION: CAMBER & FLANGE DIAGRAM						
CASCO BAY STEEL STRUCTURES, INC. 75 SPRING HILL ROAD SACO, MAINE 04072 PHONE (207) 282-7360 FAX. (207) 282-1179						
STRUCTURE: U.S. ROUTE 2 OVER WINOOSKI RIVER PRINCIPAL ARTERIAL BRIDGE NO. 74 COUNTY OF WASHINGTON			DRAWN	DATE		
			JTB	04/03		
			CHKD:	DATE:		
			ELC	04/06		
LOCATION: TOWN OF EAST MONTPELIER, VERMONT			JOB NO.	DNG NO.		
PROJ NO. BRF 028-3 (36)			400	C1		
CUSTOMER: WINTERSSET, INC				REV. △		