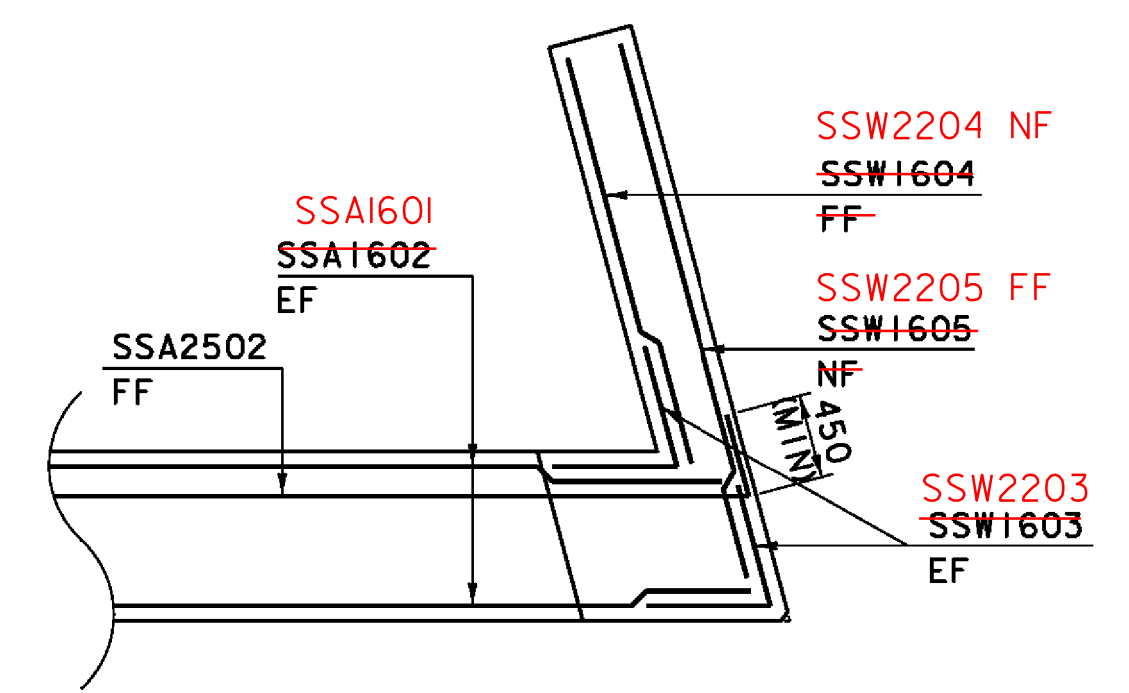


**ABUTMENT #2 PLAN**  
SCALE = 1:40

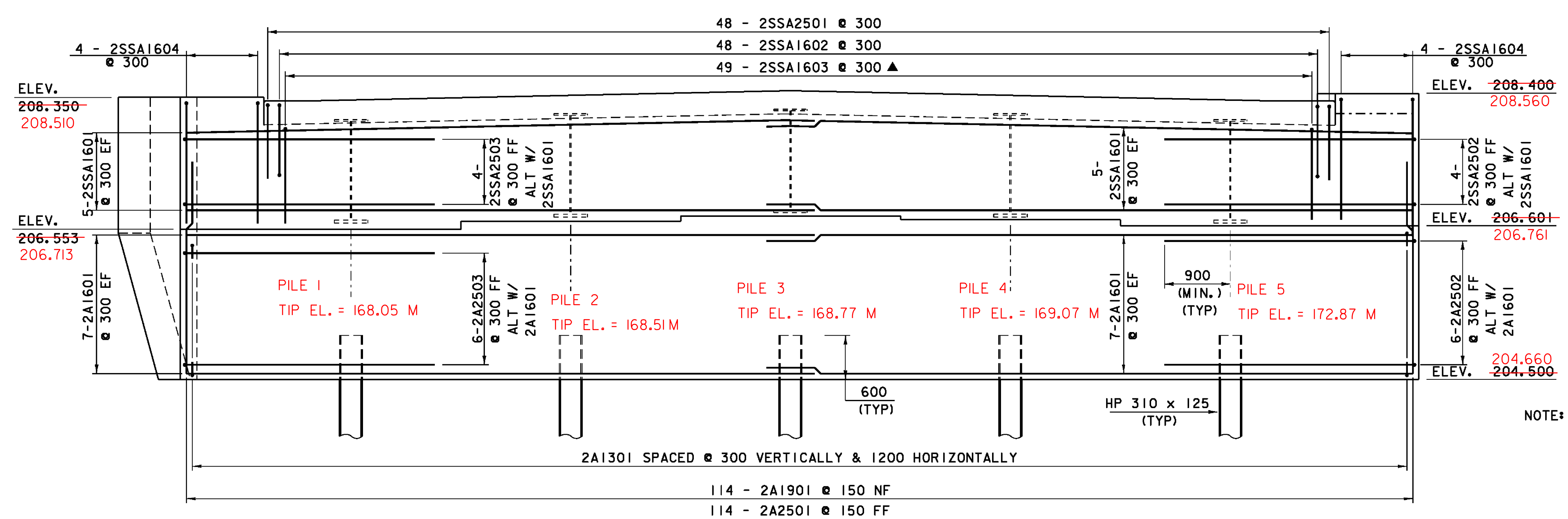


**TYPICAL CORNER DETAIL**  
SCALE = 1:40

SEE "CORNER DETAILS" ON DECK DETAIL SHEET FOR ACUTE ANGLE

STAINLESS STEEL USED ABOVE CONSTRUCTION JOINT

BLACK STEEL USED BELOW CONSTRUCTION JOINT

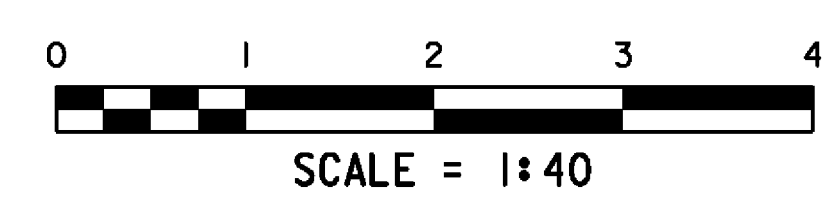


**ABUTMENT #2 ELEVATION**  
SCALE = 1:40

ABUTMENT #2 PILES DRIVEN TO BEDROCK

NOTE: BRIDGE SEATS REQUIRE A MINIMUM 500X500 LEVEL SURFACE CENTERED ABOUT THE  $\varnothing$  OF THE BEARING STIFFENER AND  $\varnothing$  OF EACH GIRDER. ALTERNATE FORMING CONFIGURATIONS MAY BE APPROVED BY THE RESIDENT ENGINEER.

**NOTE:**  
NF = NEAR FACE  
FF = FAR FACE  
EF = EACH FACE  
▲ = CUT TO FIT IN FIELD  
80 CLEAR, UNLESS OTHERWISE SPECIFIED ON THE PLANS.  
660 BAR LAP UNLESS OTHERWISE SPECIFIED ON THE PLANS.



PROJECT: <b>EAST MONTEPELIER</b>	PROJECT NO. : <b>BRF 028-3(36)</b>
DESIGN FILE NAME: /98b254/str/sb254sub.dgn	PLOT DATE: 03-FEB-2009
IPARM FILE NAME: sb254ab2.1	DRAWN BY: R.PELLETT
DESIGNED BY: J.LACROIX	CHECKED BY: J.LACROIX
SQUAD LEADER: K.HIGGINS	SHEET: 39 OF 68
ABUTMENT #2	