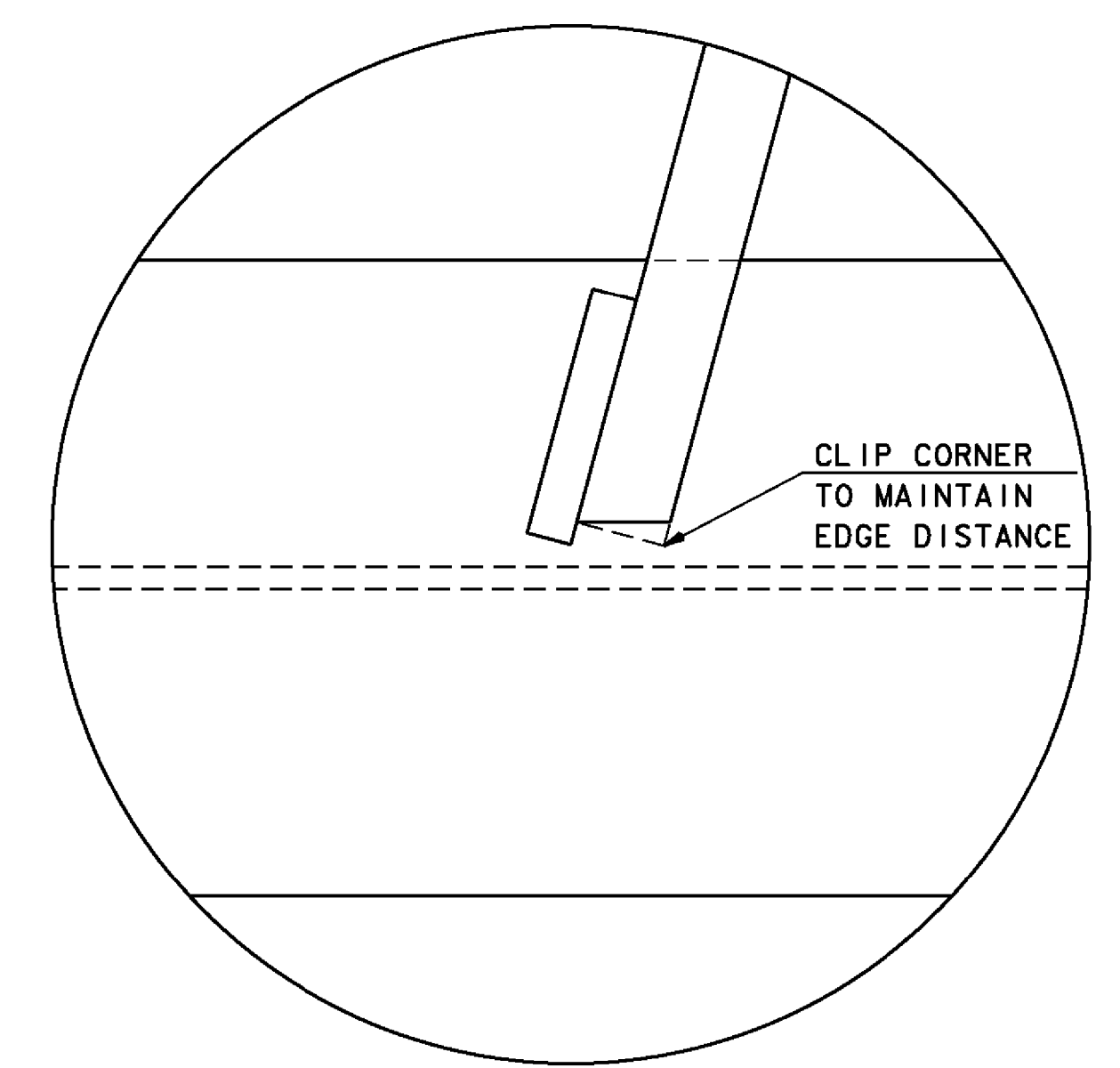
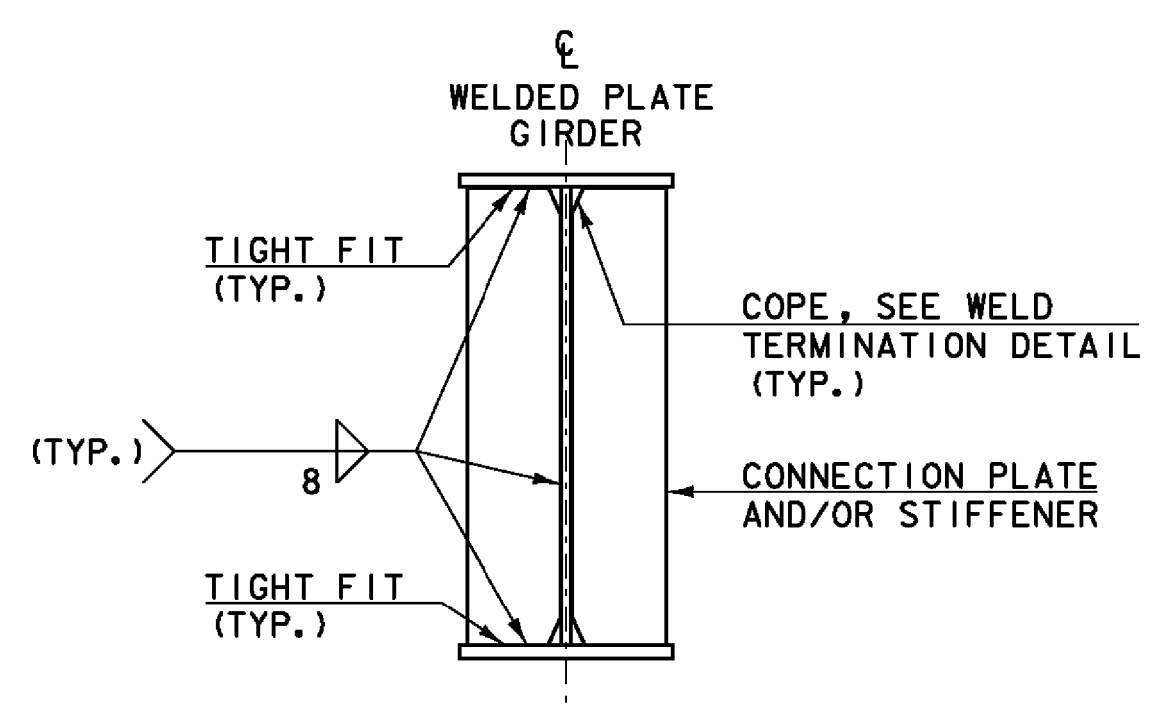


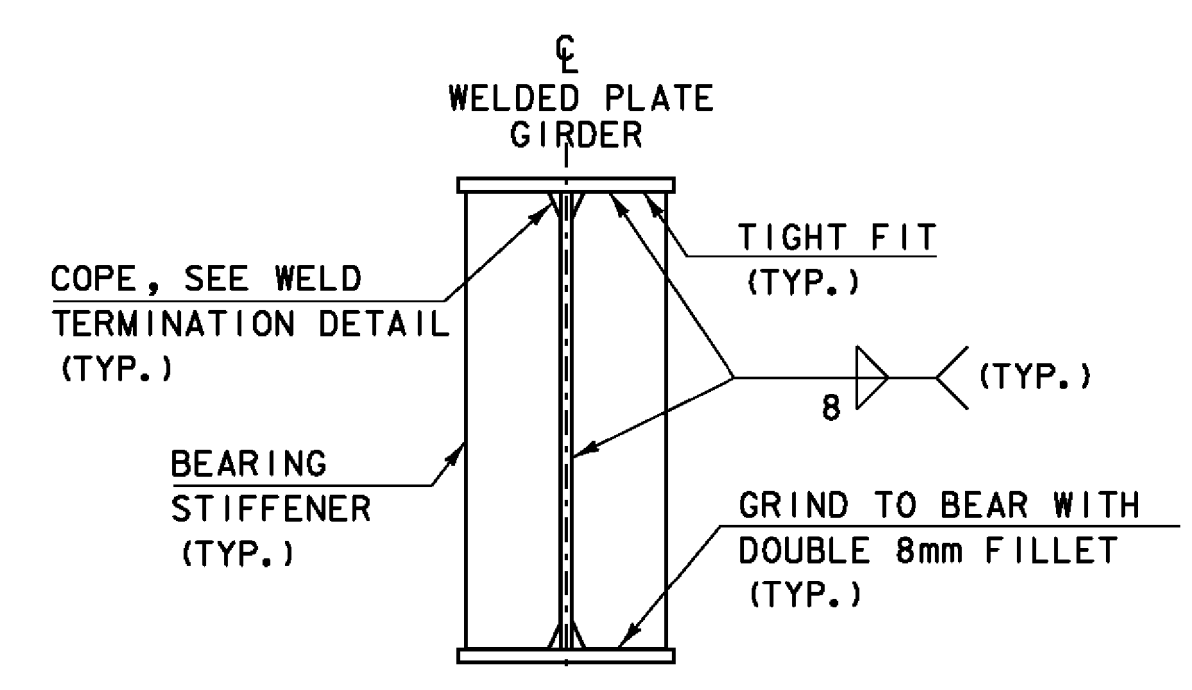
BOLT SPACING
(NOT TO SCALE)



CORNER DETAIL
(NOT TO SCALE)



INTERMEDIATE CONNECTION PLATES AND/OR STIFFENERS FOR WELDED PLATE GIRDERS
(NOT TO SCALE)



ABUTMENT BEARING STIFFENERS FOR WELDED PLATE GIRDERS
(NOT TO SCALE)

NOTE: 22mm DIA A490 BOLTS IN 23.8mm HOLES
MIN. END AND EDGE DISTANCE IS 40mm MIN.
CENTER TO CENTER DISTANCE IS 70mm

SEE SHEETS 34a and 34b FOR ADDITIONAL FRAMING DETAILS

PROJECT: EAST MONTPELIER	PROJECT NO. : BRF 028-3(36)
DESIGN FILE NAME: /98b254/str/sb254sup.dgn	PLOT DATE: 03-FEB-2009
IPARM FILE NAME: sb254xfrm.i	DRAWN BY: R. PELLETT
DESIGNED BY: J. LACROIX	CHECKED BY: J. LACROIX
SQUAD LEADER: K. HIGGINS	SHEET: 34 OF 68
CROSS FRAME DETAILS	