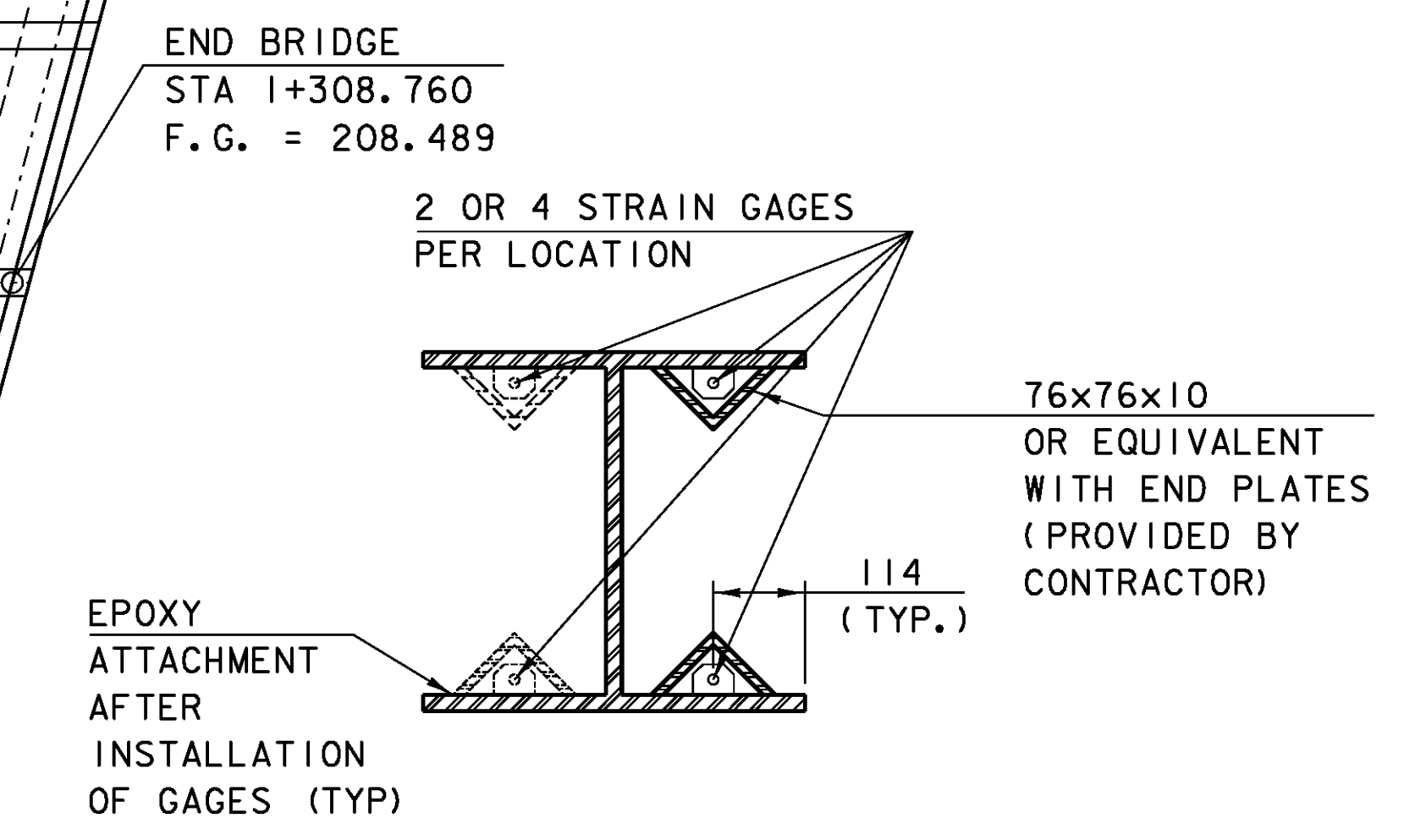
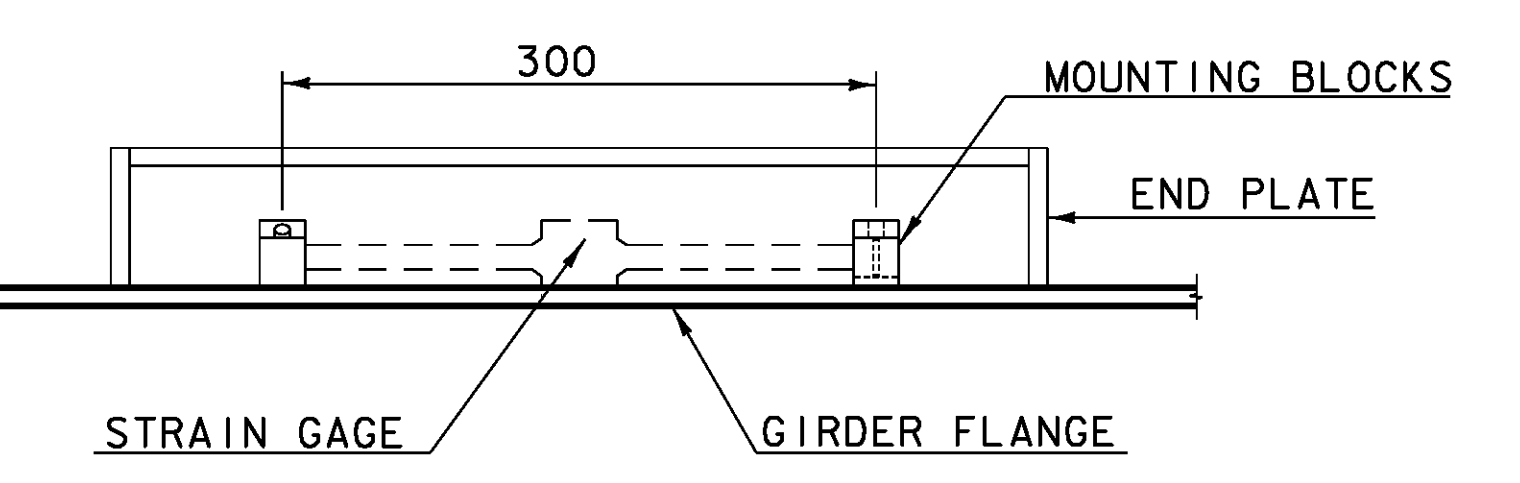


**LEGEND:**

- S STRAIN GAGE GEOKON MODEL NO. 4050
- TFG (TOP FLANGE OF GIRDER)
- BFG (BOTTOM FLANGE OF GIRDER)



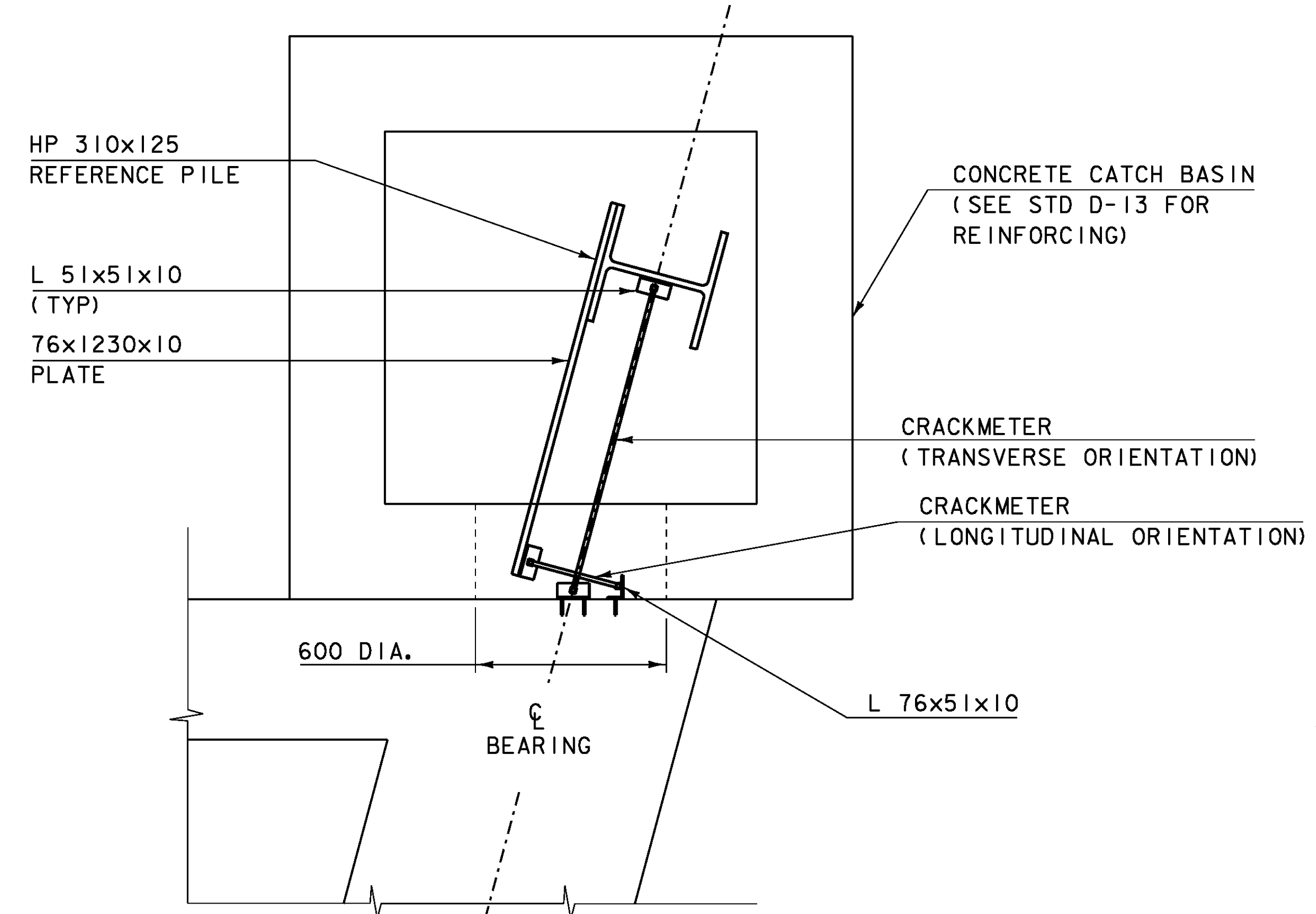
**GIRDER STRAIN GAGE DETAIL**



**STRAIN GAGE ON GIRDER**

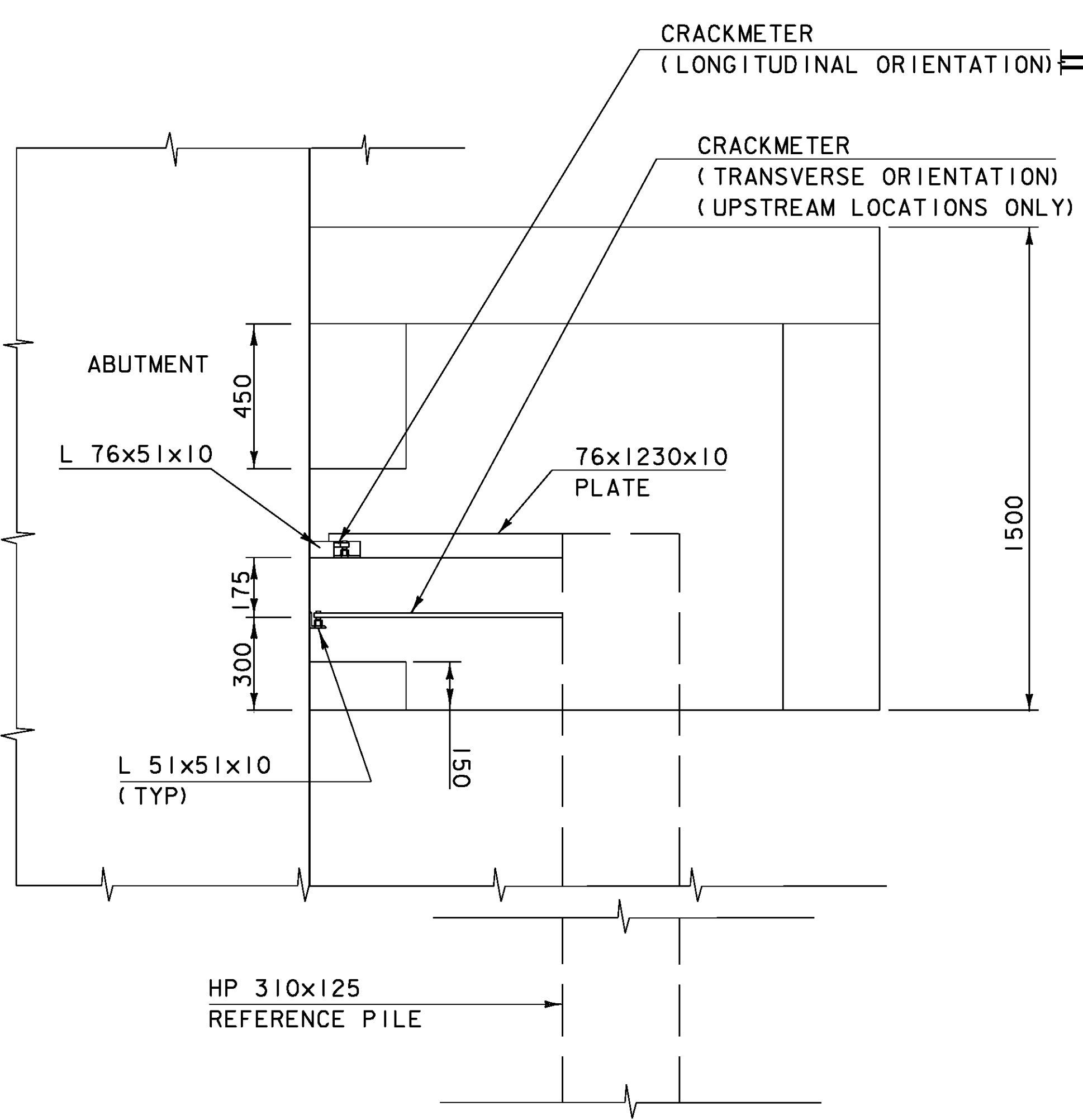
- STRAIN GAGE NOTES:
1. MOUNTING BLOCK TO BE ATTACHED BY STEEL FABRICATOR IN ACCORDANCE WITH GEOKON WELDING INSTALLATION INSTRUCTIONS.
  2. MOUNTING BLOCKS TO BE SUPPLIED BY UMASS.
  3. END PLATES TO BE FITTED WITH SLOT FOR 12 DIA CABLE EXITING GIRDER FLANGE AT ONE END OF ENCLOSURE.

- REFERENCE PILE NOTES:
1. SENSOR CONDUIT NOT SHOWN ON INSTRUMENTATION SHEETS FOR CLARITY.
  2. CONTRACTOR SHALL ALSO PROVIDE ALL LABOR AND HARDWARE USED TO SECURE THE INSTRUMENTATION CONDUIT TO THE BRIDGE STRUCTURE.
  3. GAGE LOCATION SHOULD BE ABOVE GROUND WATER TABLE.



**REFERENCE PILE AND GAGE PLAN VIEW**

- NOTES:
1. MINIMUM OF 1500 HIGH.
  2. 600 CAST IRON COVER WITH FRAME.
  3. ALTERNATE ENCLOSURES MAY BE SUBMITTED FOR APPROVAL.
  4. SEE STANDARD D-22 FOR COVER AND FRAME DETAILS.



**REFERENCE PILE AND GAGE ELEVATION VIEW**

PROJECT: EAST MONTPELIER	PROJECT NO.: BRF 028-3(36)
DESIGN FILE NAME: /98b254/str/sb254Instrum.dgn	PLOT DATE: 03-FEB-2009
IPARM FILE NAME: sb254pls.1	DRAWN BY: J. SALVATORI
DESIGNED BY: J. SALVATORI	CHECKED BY: J. LACROIX
SQUAD LEADER: K. HIGGINS	SHEET: 28 OF 68
INSTRUMENTATION PLAN SHEET #2	

NOT TO SCALE