

APPROVED: Approval of drawings and/or procedures indicates concurrence with the information presented and does not relieve the Contractor or Fabricator of compliance with all specifications and code requirements

APPROVED AS NOTED **X**

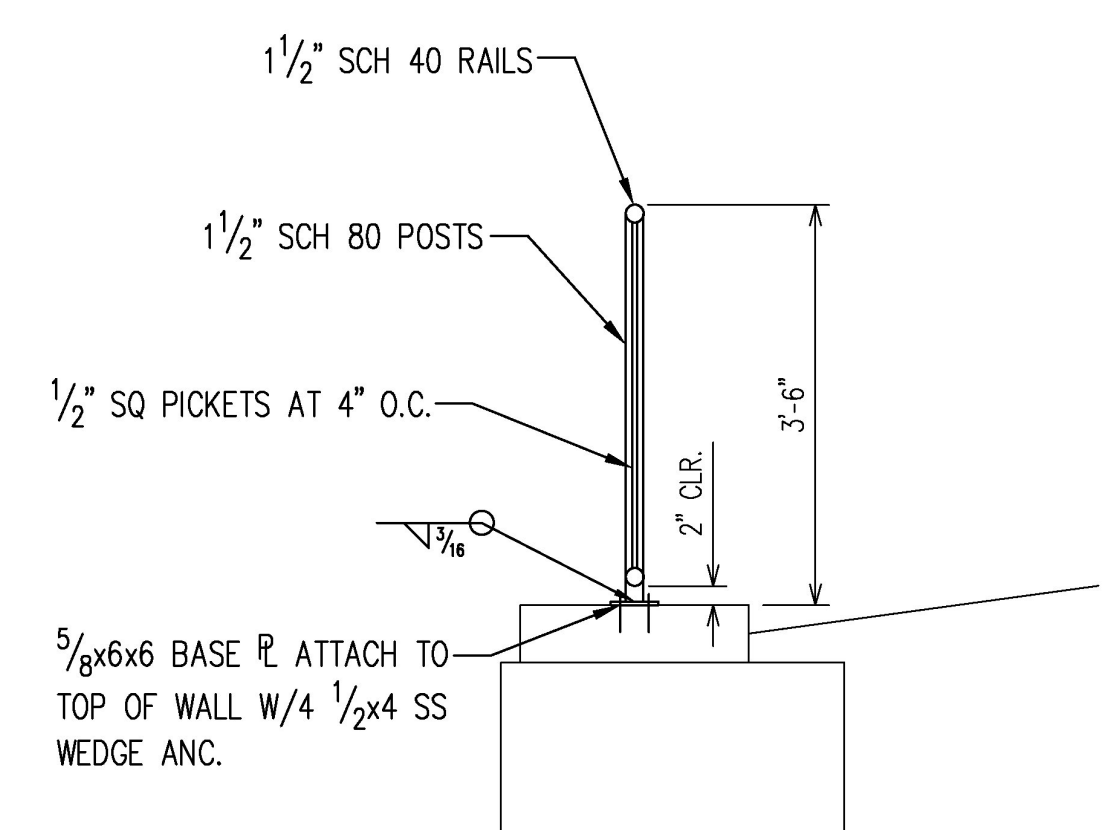
REVISION AND RESUBMIT

NOT REVIEWED

Date: 9/28/17

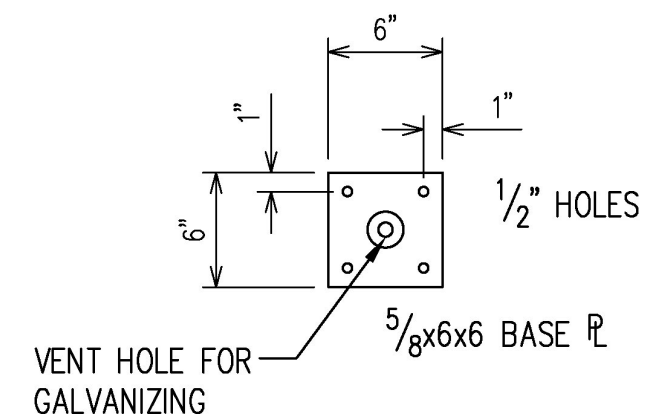
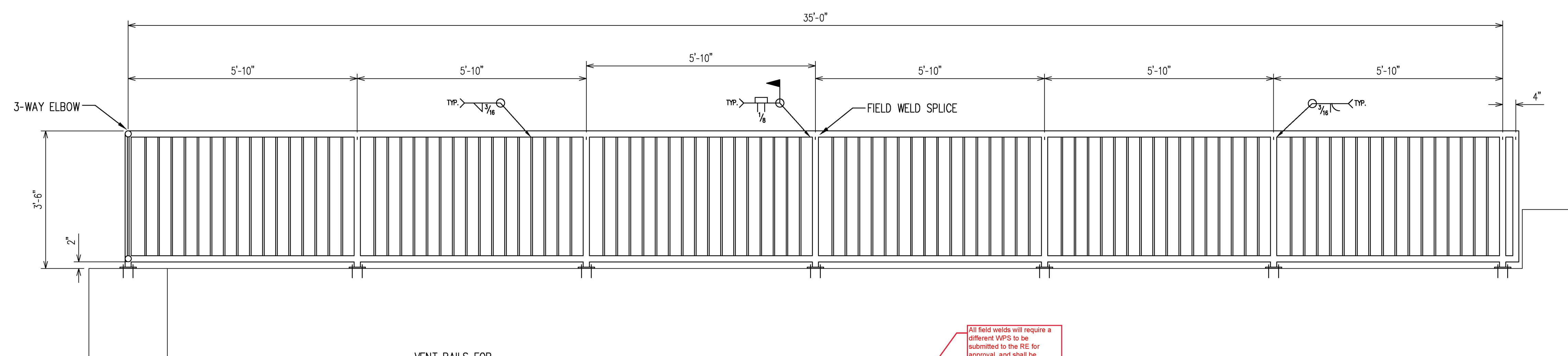
By: *[Signature]*

This review by Stantec Consulting Services Inc. is for the sole purpose of ascertaining conformance with the general design concept. This review shall not mean that Stantec Consulting Services Inc. approves the detail design inherent in the shop drawings, responsibility for which shall remain with the Contractor. Submitting same, and such review shall not relieve the Contractor of his responsibility for errors or omissions in the shop drawing or of his responsibility for meeting all requirements of the Contract Documents. The contractor is responsible for dimensions to be confirmed and correlated at the job site, for information that pertains solely to the fabrication processes or to techniques of construction and installation and for coordination of the work of all subtrades.



TYP. GUARDRAIL SECTION

RAIL R1 - 1 1/2" SCH 40
1 EA. REQ
COLOR GALVANIZE GLOSS BLACK



BASE PLATTEN DETAIL

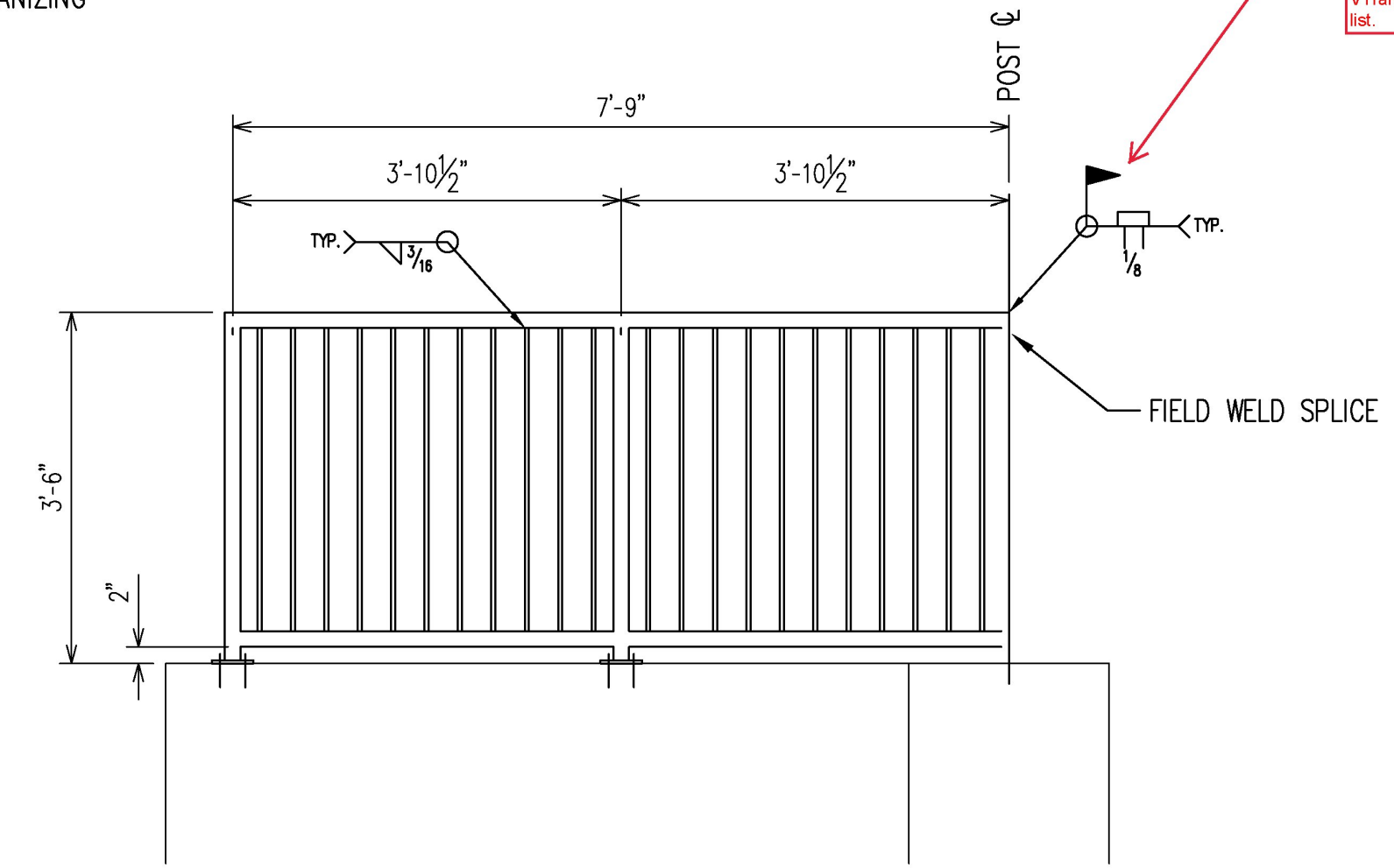
and Powder Coated

- NOTES:
- * DMS TO SUPPLY & DELIVER ONLY INSTALL BY OTHERS
 - * DMS TO FIELD VERIFY ALL DIMENSIONS BEFORE FABRICATION
 - * ALL MATERIALS TO MEET BUY AMERICA LAWS
 - * POSTS ARE 1 1/2" SCH 80 & RAILS ARE 1 1/2" SCH 40 PIPE
 - * ANCHOR BOLTS ARE 1/2"x4 SS WEDGING
 - * PICKETS ARE 1/2" SQ BAR AT 4" O.C.
 - * WELDING ELECTRODES ARE E70XX
 - * ALL PIECES HOT DIP ~~COLO~~ GALVANIZED GLOSS BLACK
 - * TOUCH UP ALL FIELD WELDED SPLICES AFTER INSTALL

All field welds will require a different WPS to be submitted to the RE for approval, and shall be performed by welders on the VTrans pre-qualified welder list.

The welder certs. that have been re-submitted seem to be the same irrelevant certifications for FCAW. Only one of the 5 welders submitted, Silas Downen, is certified for GMAW which is the process that has been called out by DMS that will be used. All welders who weld on VTrans work, shall be certified correctly.

VENT RAILS FOR GALVANIZING



Vermont Agency of Transportation
RECEIVED

CK'D BY RSF OK'D BY CWC

September 27, 2017

RESUBMIT NO Approved AsNoted
BY C. CARLSON DATE 10/02/17

REV. #	DATE	REVISION DESCRIPTION
1	9/6/17	REV. FOR NOTES & WELD SYMBOLS

CONTRACTOR NAME & ADDRESS CCS CONSTRUCTORS 138 MUNSON AVE. MORRISVILLE, VT		PROJECT NAME & ADDRESS RETAINING WALL HANDRAILS 29 EVERGREEN LANE EAST MONTPELIER, VT	
WORK ORDER # 50286		SHEET E2	
DATE 7/25/17		CHECKED BY EC	

DMS MACHINING & FABRICATION
10 TRANSPORT DRIVE
P.O. BOX 477
BARRE, VT 05641
PHONE: (802) 479-1088
1-800-649-1088
FAX: (802) 478-7195