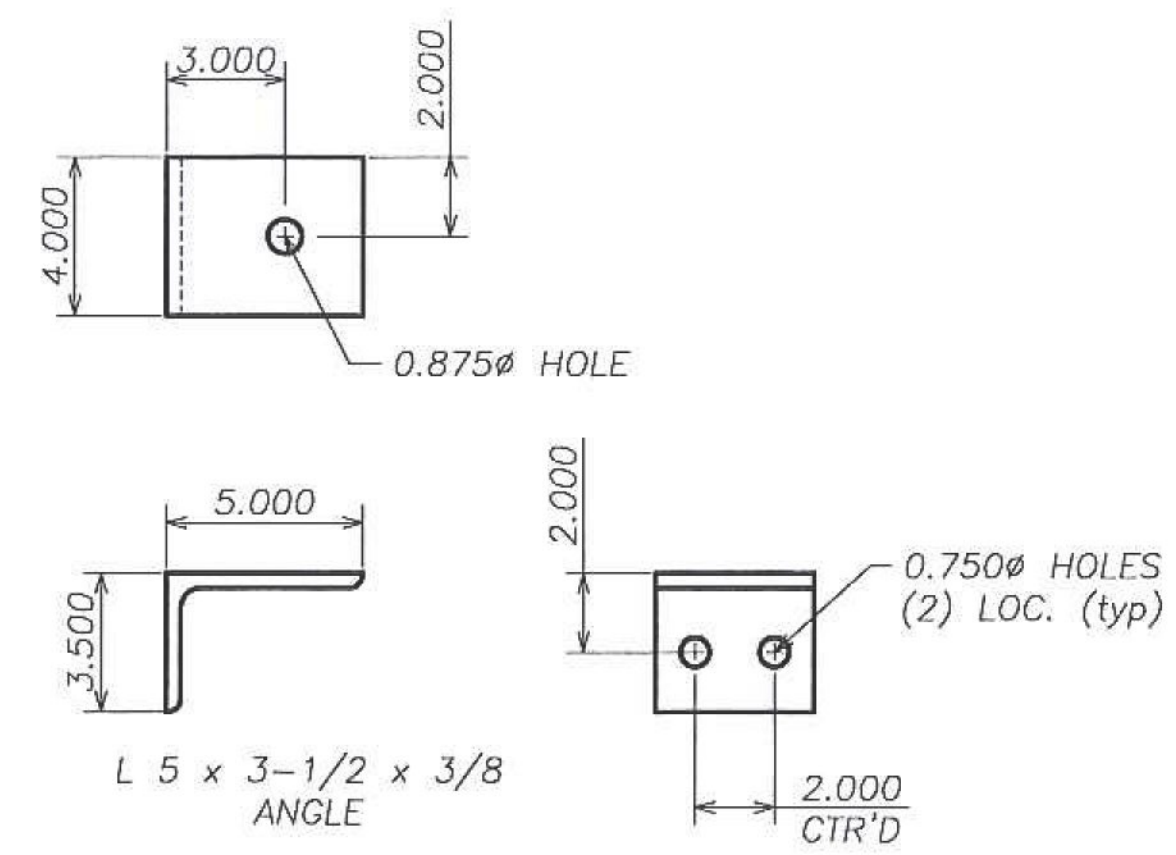
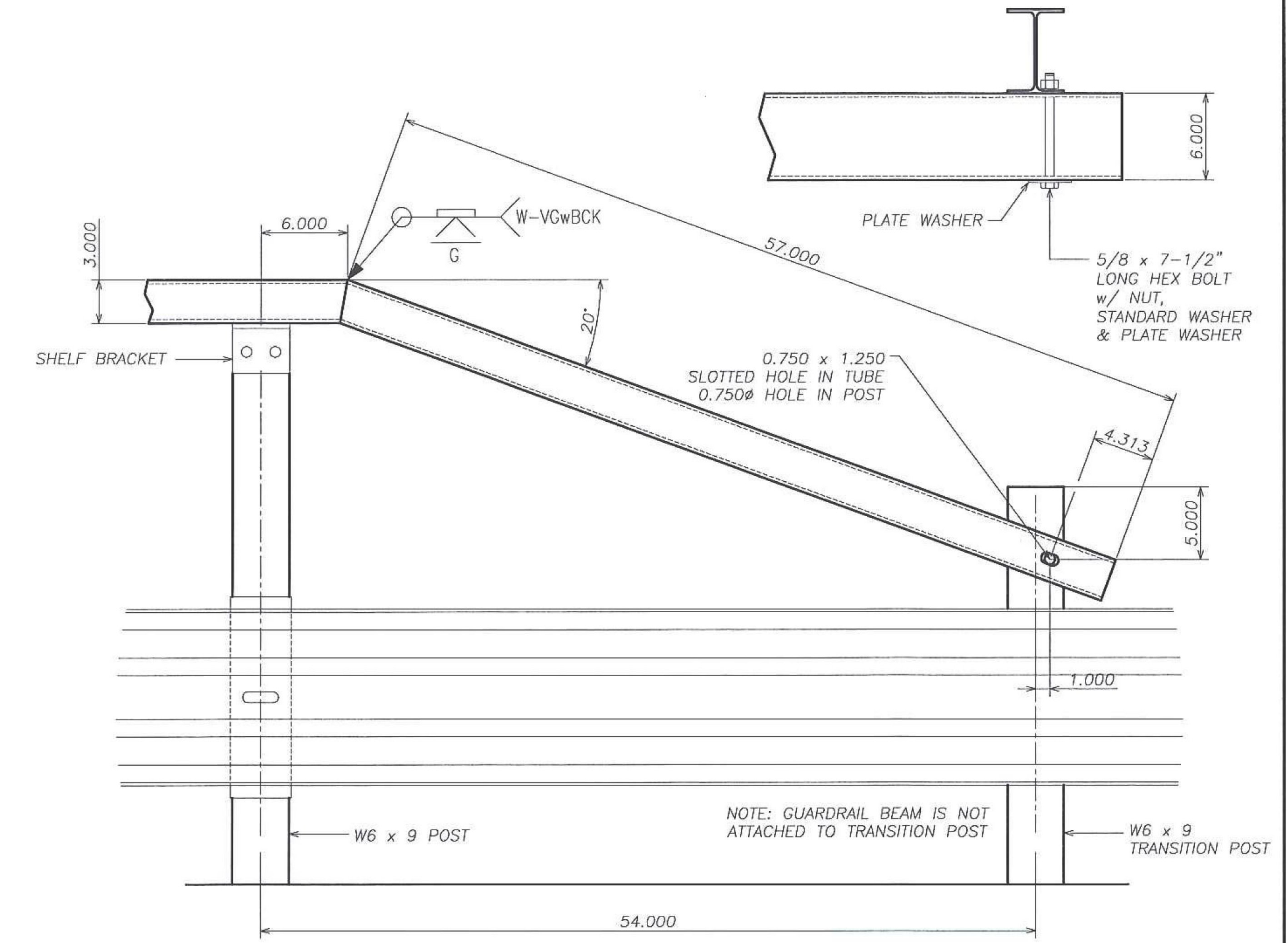
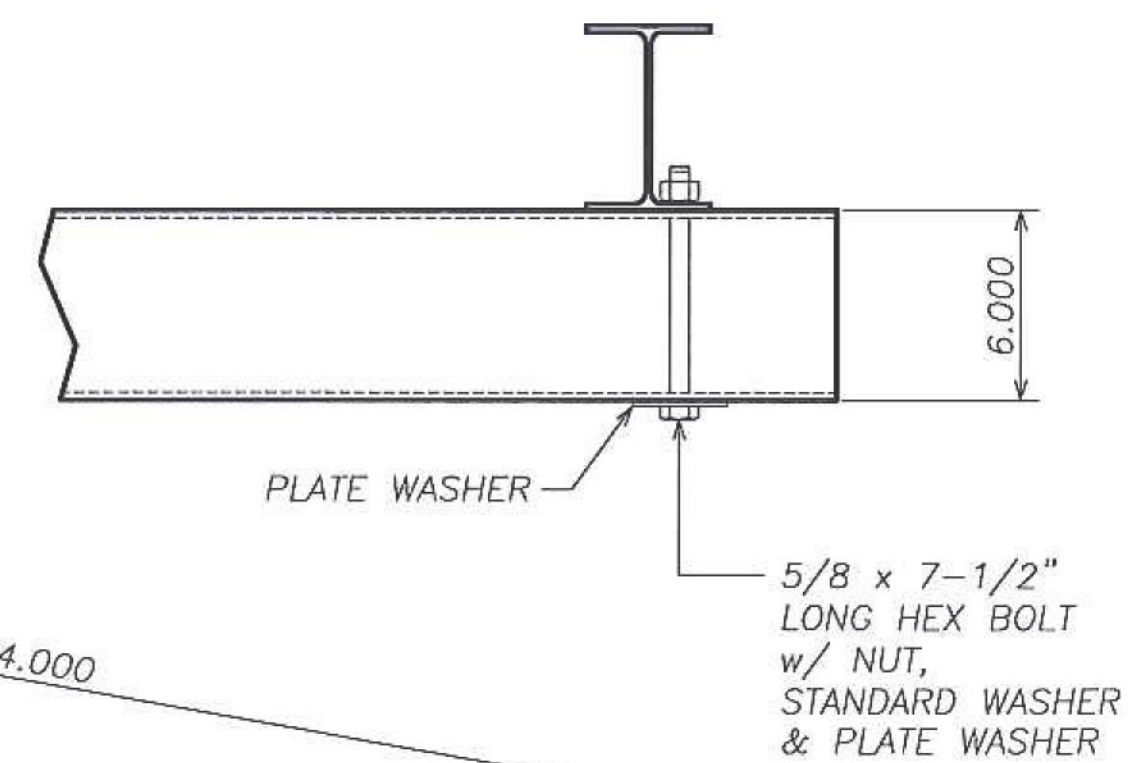


TYPICAL POST DETAIL

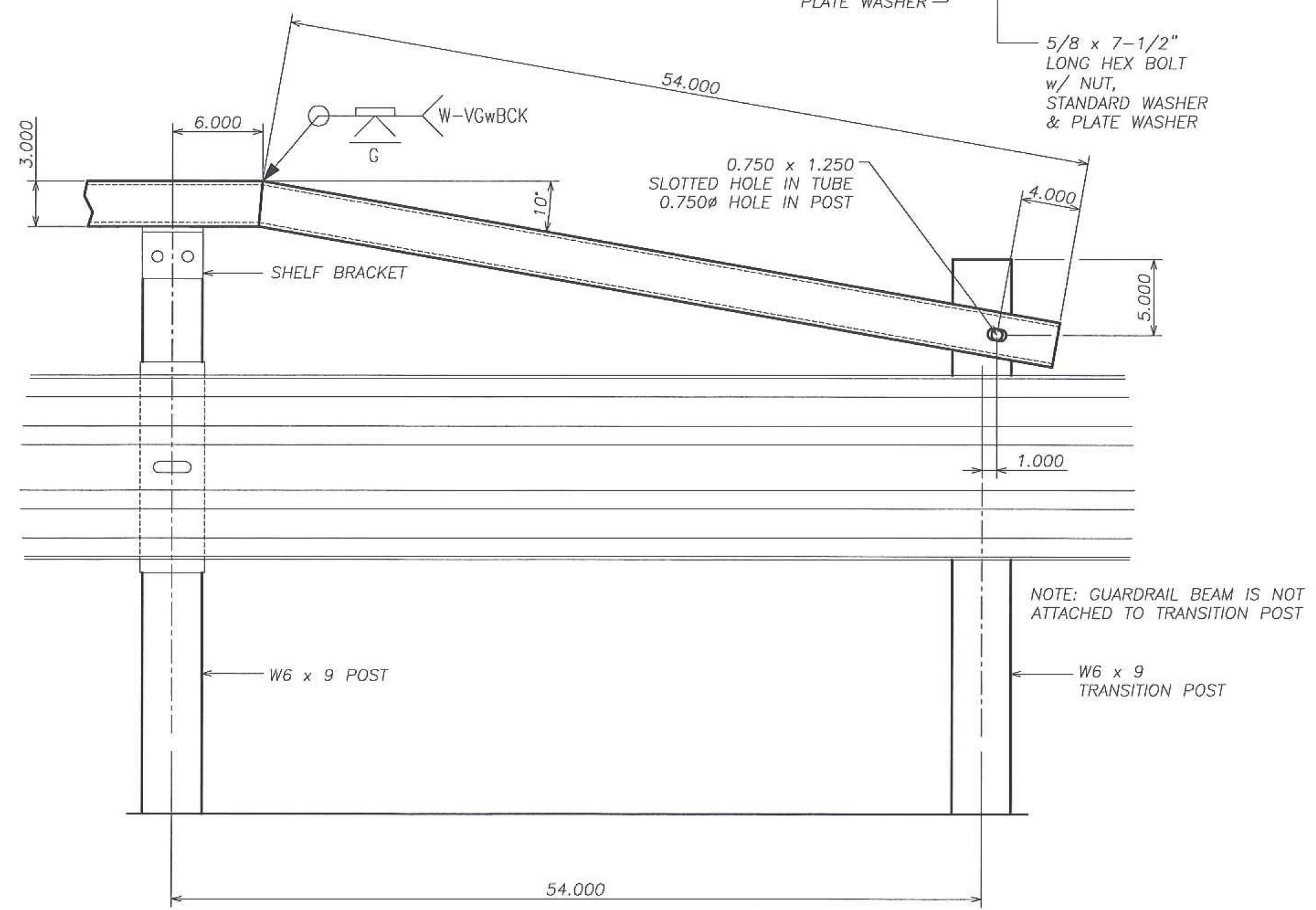


SHELF BRACKET DETAIL



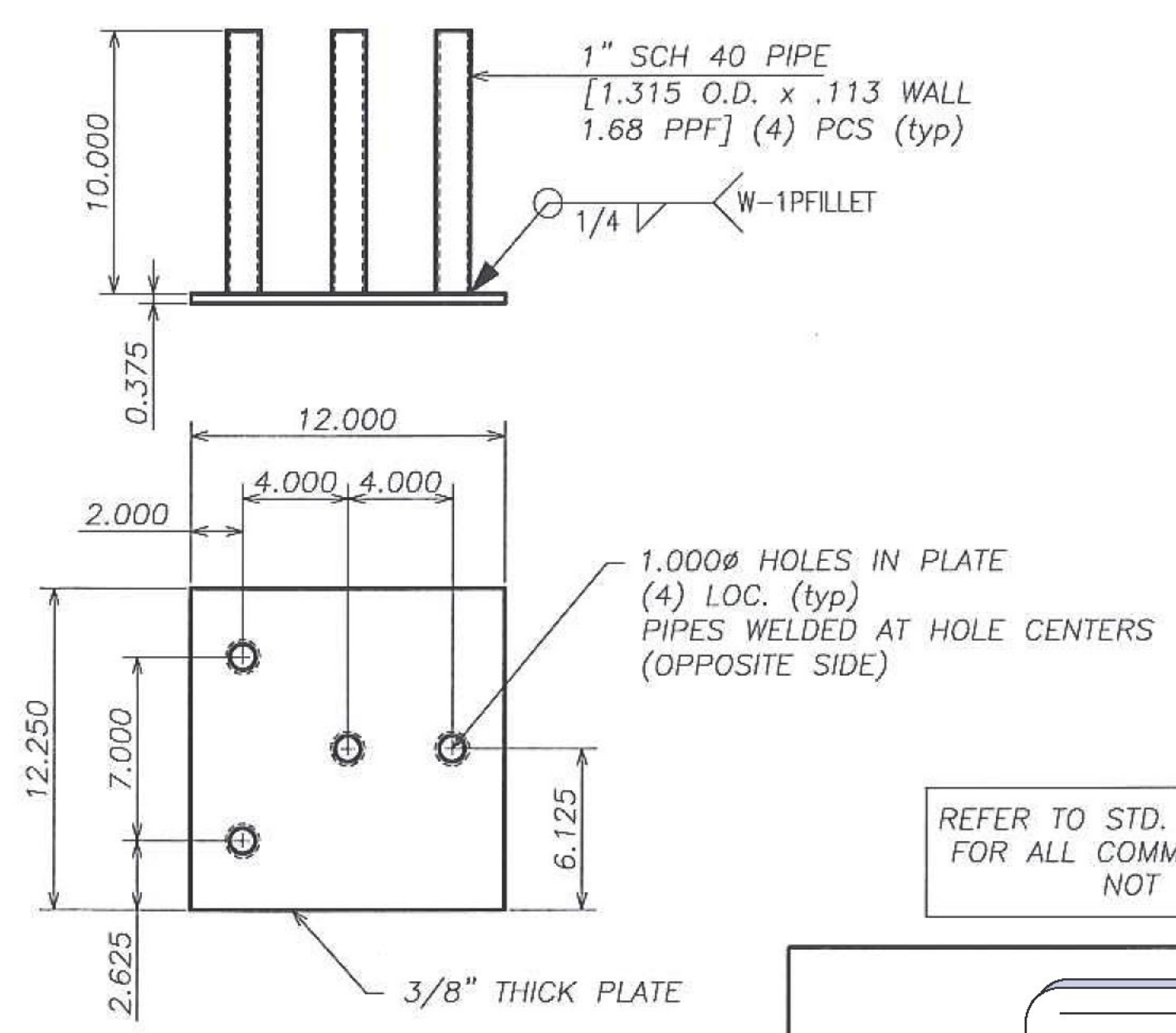
DETAIL 13

DROP END DETAIL AT WINGWALL 3 SHOWN  
WINGWALL 1 DETAIL IS IDENTICAL BUT MIRROR IMAGE



DETAIL 24

DROP END DETAIL AT WINGWALL 2 SHOWN  
WINGWALL 4 DETAIL IS IDENTICAL BUT MIRROR IMAGE



CONNECTION PLATE DETAIL

REFER TO STD. DRAWING G-1 & G-1D FOR ALL COMMON GUARDRAIL DETAILS NOT SHOWN HERE

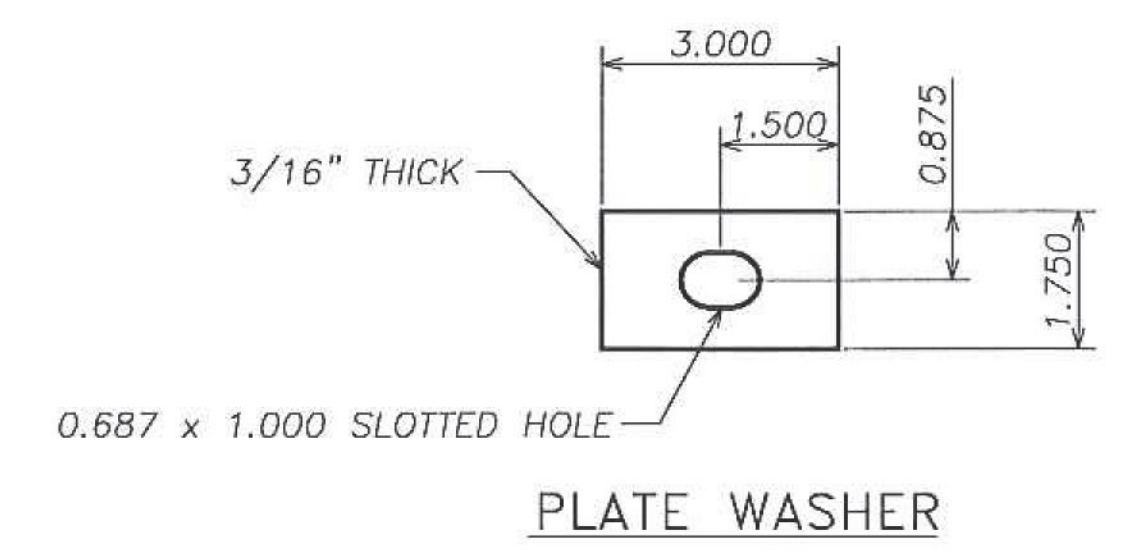


PLATE WASHER

**Approved**

BY: Carolyn Carlson

DATE: 05/26/2018

RESUBMIT: NO

RECEIVED: May 25, 2018

CKD BY: Carolyn Carlson

**STATE OF VERMONT**  
AGENCY OF TRANSPORTATION

**HIGHWAY SAFETY CORP**  
GLASTONBURY, CT  
860-633-9445

ITEM 900.640 SPECIAL PROVISION GUARDRAIL APPROACH TO CONCRETE BRIDGE RAILING (TL2)  
VT ROUTE 14 BRIDGE No. 68  
TOWN OF EAST MONTPELIER WASHINGTON COUNTY, VT  
BRF 037-1(7)

GENERAL CONTRACTOR: LAFAYETTE

SUB CONTRACTOR: LAFAYETTE

DATE: 03-26-18

SCALE: NONE

SIZE: D

AS9001 CERTIFIED FABRICATOR

HSC JOB NO. 2234

SHEET NO. 5 of 5