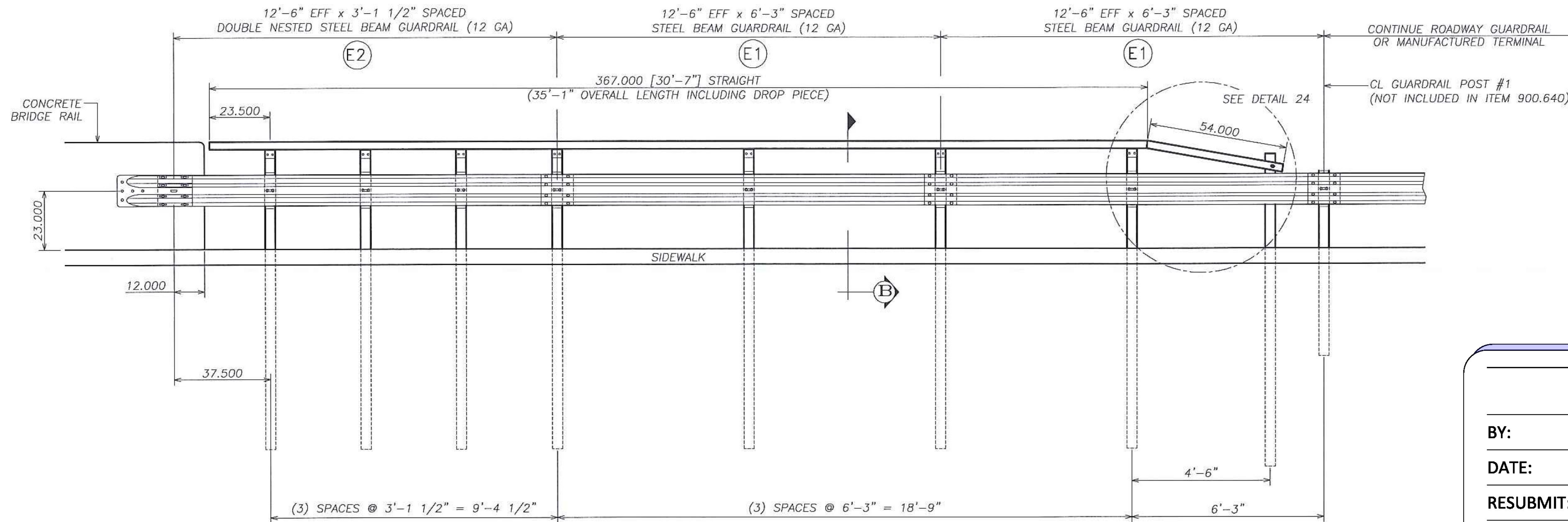
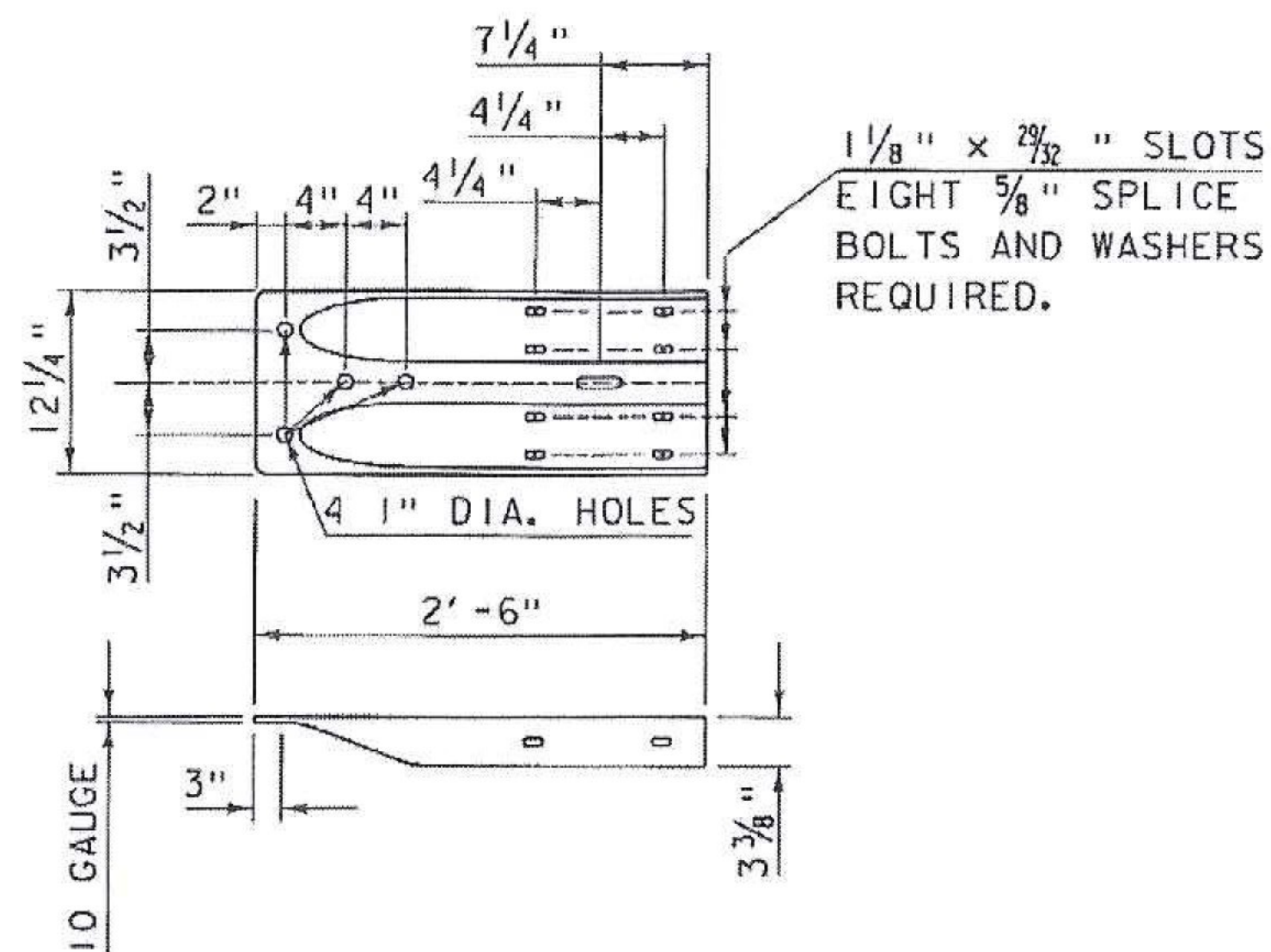


PLAN VIEW  
LAP GUARDRAIL IN DIRECTION OF TRAFFIC

REFER TO STD. DRAWING G-1 & G-1D  
FOR ALL COMMON GUARDRAIL DETAILS  
NOT SHOWN HERE



RAILING ELEVATION @ WINGWALL 2  
LOOKING AT FACE OF RAIL FROM CENTERLINE OF ROAD



TERMINAL CONNECTOR DETAIL  
10 ga. (typ) AT ALL LOCATIONS

**Approved**

BY: Carolyn Carlson

DATE: 05/26/2018

RESUBMIT: NO

RECEIVED: May 25, 2018

CKD BY: Carolyn Carlson

**STATE OF VERMONT  
AGENCY OF TRANSPORTATION**

2234 sheet draw rev B.dwg

<b>HIGHWAY SAFETY CORP</b> GLASTONBURY, CT 860-633-9445		ITEM 900.640 SPECIAL PROVISION GUARDRAIL APPROACH TO CONCRETE BRIDGE RAILING (TL2) VT ROUTE 14 BRIDGE No. 68 TOWN OF EAST MONTPELIER WASHINGTON COUNTY, VT BRF 037-1(7)	CERTIFIED FABRICATOR
DRAWN PAR CHECKED DATE 03-26-18 SCALE NONE SIZE D			