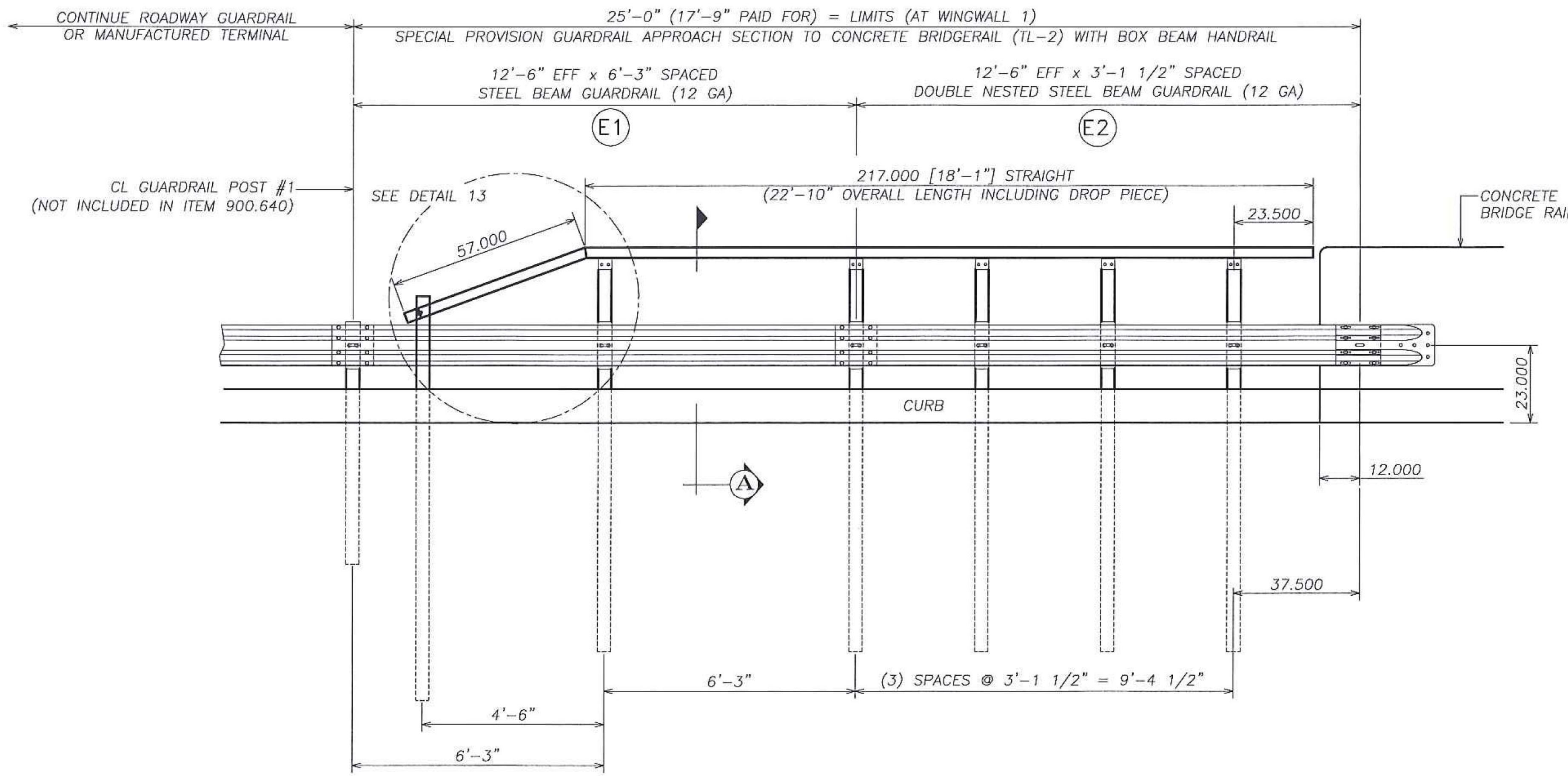
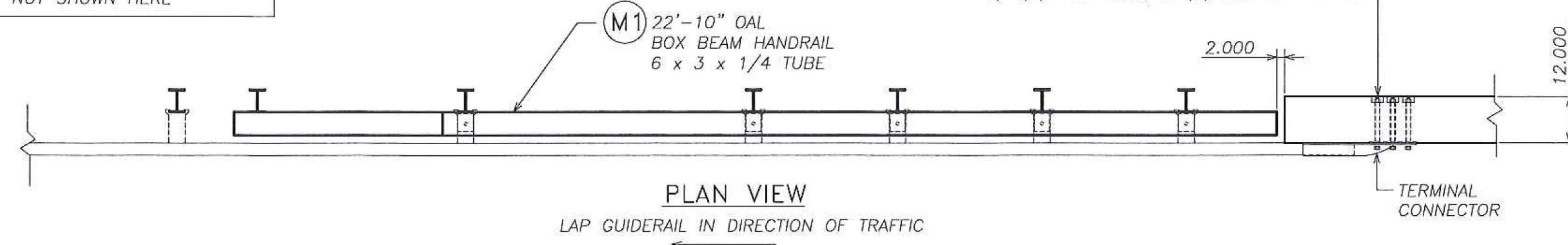


REFER TO STD. DRAWING G-1 & G-1D FOR ALL COMMON GUARDRAIL DETAILS NOT SHOWN HERE

SEE CONNECTION PLATE DETAIL (4) 7/8" X 12" HEX BOLTS w/ (1) HEX NUT & (1) WASHER EACH



RAILING ELEVATION @ WINGWALL 1  
LOOKING AT FACE OF RAIL FROM CENTERLINE OF ROAD

BILL OF MATERIAL

Qty	mk	Description	Spec.
103 LF		ITEM 900.620 SPECIAL PROVISION (GUARDRAIL APPROACH SECTION TO CONCRETE BRIDGE RAILING TL2)	
27		STEEL POST W 6 x 9 x 10'-0" LONG (GALVANIZED)	A709 or A992 gr 50
23		SHELF ANGLE (GALV) L 5 x 3-1/2 x 3/8 x 4" LONG	A36 or A992 gr 36
1	M1	HANDRAIL TUBE HSS 6 x 3 x 1/4 (GALV) 22 ft - 10 in OAL incl WELDED DROP END	A500 gr B
1	M2	HANDRAIL TUBE HSS 6 x 3 x 1/4 (GALV) 35 ft - 1 in OAL incl WELDED DROP END	A500 gr B
1	M3	HANDRAIL TUBE HSS 6 x 3 x 1/4 (GALV) 22 ft - 10 in OAL incl WELDED DROP END shop curve to follow 45'R	A500 gr B
1	M4	HANDRAIL TUBE HSS 6 x 3 x 1/4 (GALV) 28 ft - 10 in OAL incl WELDED DROP END shop curve to follow 71'R	A500 gr B
3	E1	12 ga W-BEAM GUIDERAIL PANEL 12'-6" effective length x 6'-3" space	AASHTO M180 A2
6	E2	12 ga W-BEAM GUIDERAIL PANEL 12'-6" effective length x 3'-1 1/2" space	AASHTO M180 A2
1	E3	12 ga W-BEAM GUIDERAIL PANEL 12'-6" effective length x 6'-3" space (SHOP CURVE 71' R CONVEX)	AASHTO M180 A2
1	E4	12 ga W-BEAM GUIDERAIL PANEL 6'-3" effective length x 6'-3" space (SHOP CURVE 71' R CONVEX)	AASHTO M180 A2
2	E5	12 ga W-BEAM GUIDERAIL PANEL 12'-6" effective length x mixed space (SHOP CURVE 45' R CONVEX)	AASHTO M180 A2
1	E6	12 ga W-BEAM GUIDERAIL PANEL 12'-6" effective length x 6'-3" space (SHOP CURVE 45' R CONVEX)	AASHTO M180 A2
23		POLYETHYLENE BLOCK 4.0"x 8.0" x 14.0" ROUTED W/LIP	POLY
4		TERMINAL CONNECTOR 10 GA GALV	AASHTO M180 B2
46		5/8 x 2 hex head bolt HDG w/ nut & (2) FW (for shelf bracket to post connection)	A307
23		5/8 x 4-1/2 hex head bolt HDG w/ nut & (2) FW (for handrail tube to shelf bracket connection)	A307
112		5/8 x 1-1/4 GR splice head bolt HDG w/ recessed nut (for w-beam splice connection)	A307
4		5/8 x 7-1/2 hex head bolt HDG w/ nut & std washer (for drop end tube to post connection)	A307
23		5/8 x 10 post head bolt HDG w/ recessed nut (guardrail offset block to post connection)	A307
27		rectangular plate washer 3/16" thick x 1.750 x 3.000 (GLV)	A36
4		WALL ANCHOR PLATE (PAID FOR IN ITEM 900.640)	
4		PL 0.375 x 12.000 x 12.250	A36 or A992 gr 36
16		PIPE 1.000 sch 40 x 10.000 LONG (WELDED TO PLATE)	A53 or A500 gr B
16		BOLT HEX HEAD 0.875-09 x 12.000 HDG (7/8)	A325
32		NUT HEX HEAVY 0.875-09 HDG (7/8)	A563 GR DH
32		WASHER ROUND 0.875 SAE GLV SMALL (7/8) HI-STR	F436

ALL STEEL GALVANIZED AFTER FABRICATION PER AASHTO M111 (ASTM A123) OR M232 (ASTM A153) AS APPLICABLE

**Approved**

BY: Carolyn Carlson

DATE: 05/26/2018

RESUBMIT: NO

RECEIVED: May 25, 2018

CKD BY: Carolyn Carlson

**STATE OF VERMONT  
AGENCY OF TRANSPORTATION**

No.	Remarks	Date
B	REVISED SUBMITTAL	05-24-18
A	REVISED SUBMITTAL	05-09-18
O	INITIAL SUBMITTAL	03-27-18

REVISIONS - applies to set

**HIGHWAY SAFETY CORP**  
GLASTONBURY, CT  
860-633-9445

ITEM 900.640 SPECIAL PROVISION GUARDRAIL APPROACH TO CONCRETE BRIDGE RAILING (TL2)  
VT ROUTE 14 BRIDGE No. 68  
TOWN OF EAST MONTPELIER WASHINGTON COUNTY, VT  
BRF 037-1(7)

CERTIFIED FABRICATOR

HSC JOB NO. 2234

SHEET NO. 1 of 5

GENERAL CONTRACTOR: LAFAYETTE

DRAWN: PAR CHECKED: [Signature] DATE: 03-26-18 SCALE: NONE SIZE: D