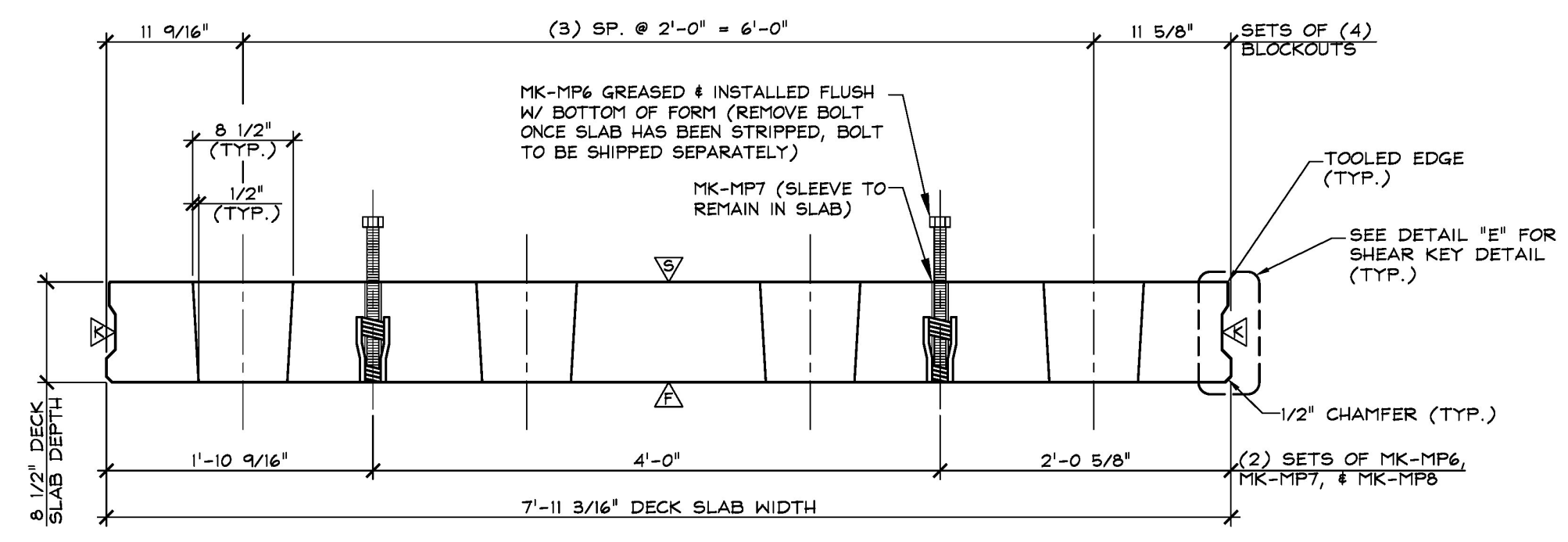
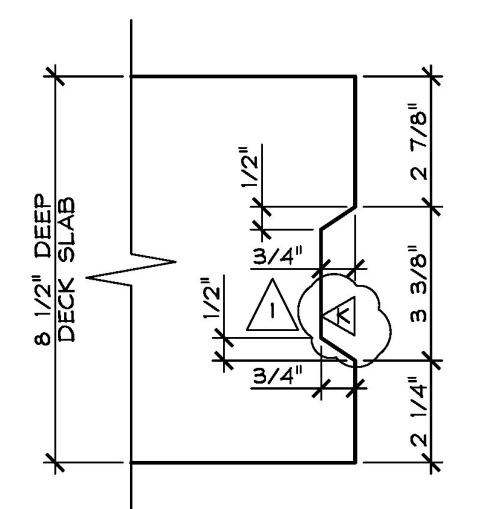


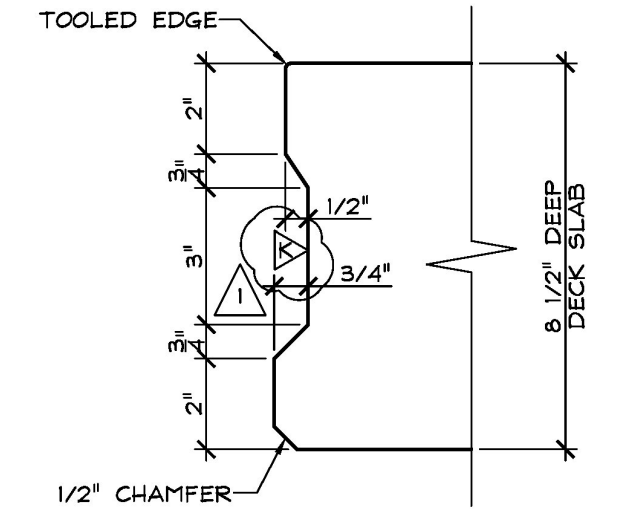
1 DIMENSIONAL PLAN VIEW IN FORM
S10 1/2" = 1'-0"



3 DIMENSIONAL SECTION
S10 1" = 1'-0"



D SECTION - \"D\"
S10 3\" = 1'-0"

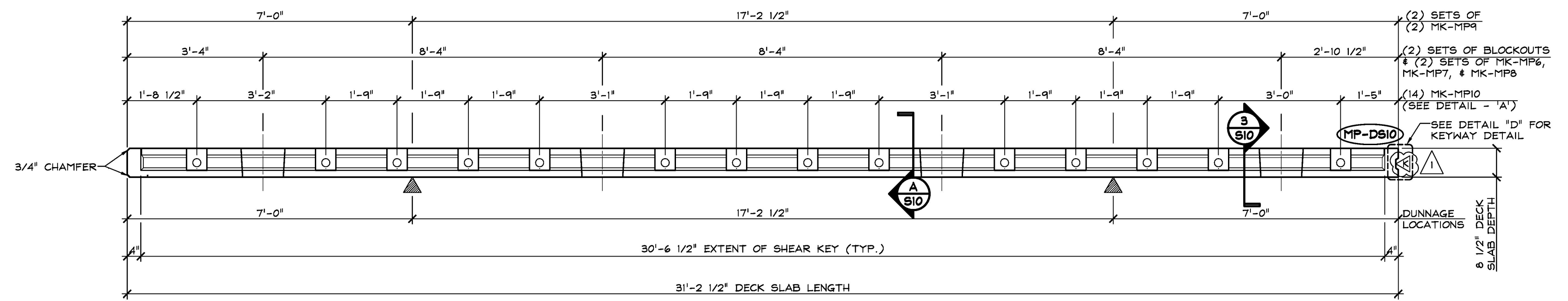


E SECTION - \"E\"
S10 3\" = 1'-0"

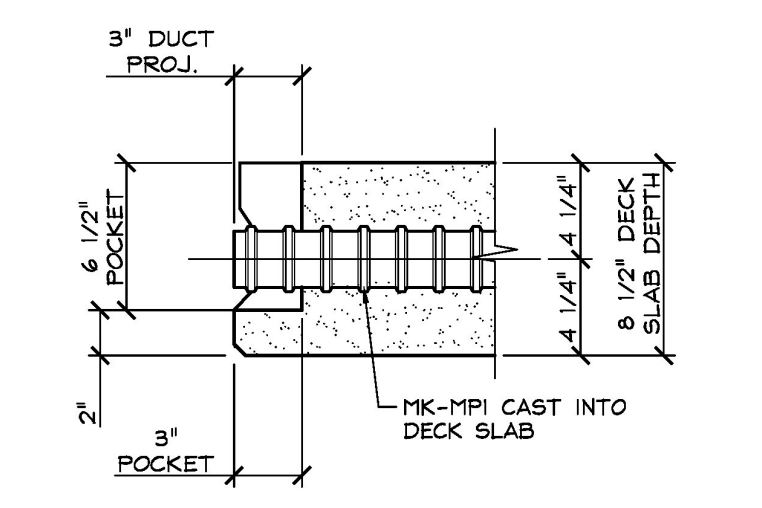
- △ DENOTES FORM FINISH
- △ DENOTES SMOOTH FLOAT FINISH
- △ DENOTES ROUGHENED FINISH (SEE GENERAL NOTE #5, SHEET 'F')
- △ DENOTES RAKE FINISH ROUGHENED TO 1/4\"/>

SHOP NOTE:
F_c = 5,000 PSI
F_{ci} = 4,000 PSI
MIX # 445 MSCC (NO DCI)

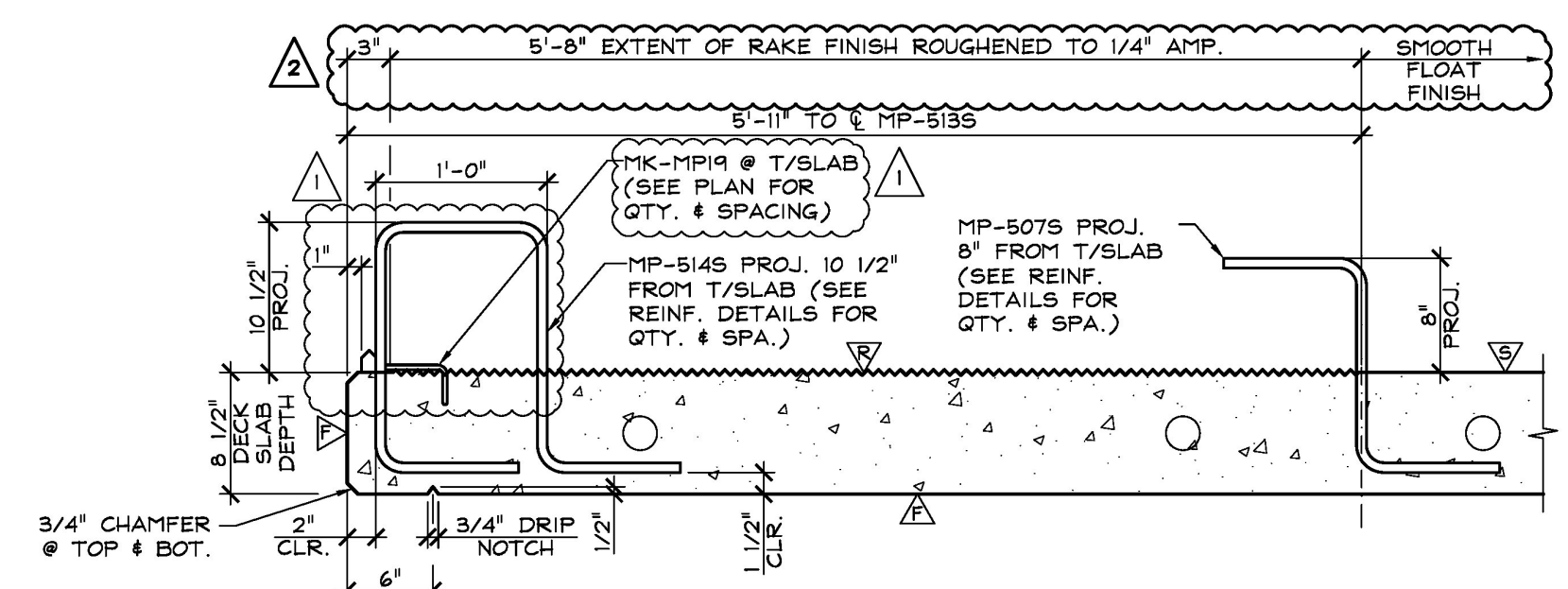
MARK: MP-DS10	QTY.: 3	WT.: 12.62 T	VOL.: 6.23 cy
MATERIAL LIST / DECK SLAB			
ITEM	MARK	DESCRIPTION	QTY.
1			
2	MK-MP6	1" x 1'-2" LEVELING BOLT (COIL THREAD)	8
3	MK-MP7	1" O.D. & 1/2" PVC PIPE SLEEVE	8
4	MK-MP8	DAYTON 1" F-56 EXPANDED COIL INSERT (2-STRUT) (GALV.)	8
5	MK-MP9	4T X 5 3/4" SWIFT LIFT LIFTER (GALV.) (DOMESTIC)	4
6	MK-MP10	GTI 2 3/8" x 7'-11 3/16" LONG CORRUGATED PT DUCT (SUPPLIED BY OTHERS)	14
7	MK-MP11	GTI 2 3/8" GROUT SADDLE (SUPPLIED BY OTHERS)	14
8	MK-MP12	21 mm X 8' GTI GROUT TUBE (SUPPLIED BY OTHERS)	14
9	MK-MP19	DAYTON C-24 TYPE 4-APR DECK FORM HANGER (GALV.)	2
10		HEAT SHRINK (SUPPLIED BY OTHERS)	AS REQ'D



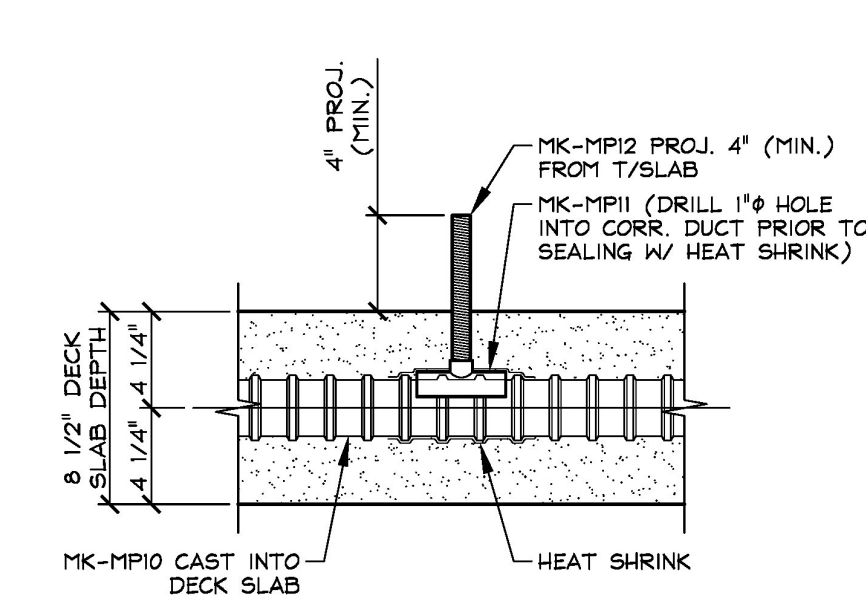
2 DIMENSIONAL ELEVATION
S10 1/2" = 1'-0"



A SECTION - \"A\"
S10 1/2" = 1'-0"



B SECTION - \"B\"
S10 1" = 1'-0"



C SECTION - \"C\"
S10 1 1/2" = 1'-0"

- △ 12-15-17 REVISIONS SUBMITTAL #2 COMMENTS
- △ 11-2-17 REVISIONS SUBMITTAL #1 COMMENTS

APPROVAL STAMP: I approve the detail design inherent in the shop drawings presented and does not relieve the Contractor or Fabricator of compliance with all specifications and code requirements. APPROVED AS NOTED REVISION AND RESUBMIT NOT REVIEWED Date: 2/14/18 By: <i>John E. Kivner</i>	J.P. CARRARA & SONS INC. Predast & Prestress Manufacturer 2464 GSE STR., WOODBURY, VERMONT 05753 Phone: (802)388-6361 Fax: (802)388-8010	CCS CONSTRUCTORS, INC. CONTRACTOR MORRISVILLE, VERMONT
	Stantec	DATE: SEPT. 14, 2017 SCALE: NOTED
	TOWN OF EAST MONTPELIER VT ROUTE 14, MINOR ARTERIAL BRIDGE NO.: 68 PROJECT NO.: BRF 037-1 (7)	CHKD: K.P. DFTM: A.S. JOB NO: 23515-017
	PRECAST CONCRETE DECK SLAB DETAILS	DWG. NO: S10

This review by Stantec Consulting Services Inc. is for the sole purpose of ascertaining compliance with the permit design requirements. Stantec Consulting Services Inc. does not assume any liability for the design or construction of the project. The contractor is responsible for dimensions to be confirmed and correlated at the job site, for information that pertains solely to the fabrication processes or to techniques of construction and installation and for coordination of the work of all subtrades.