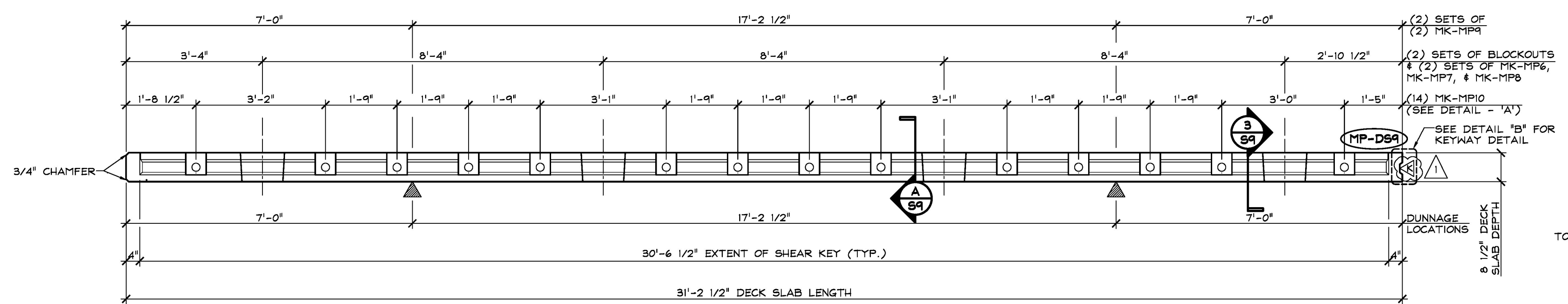
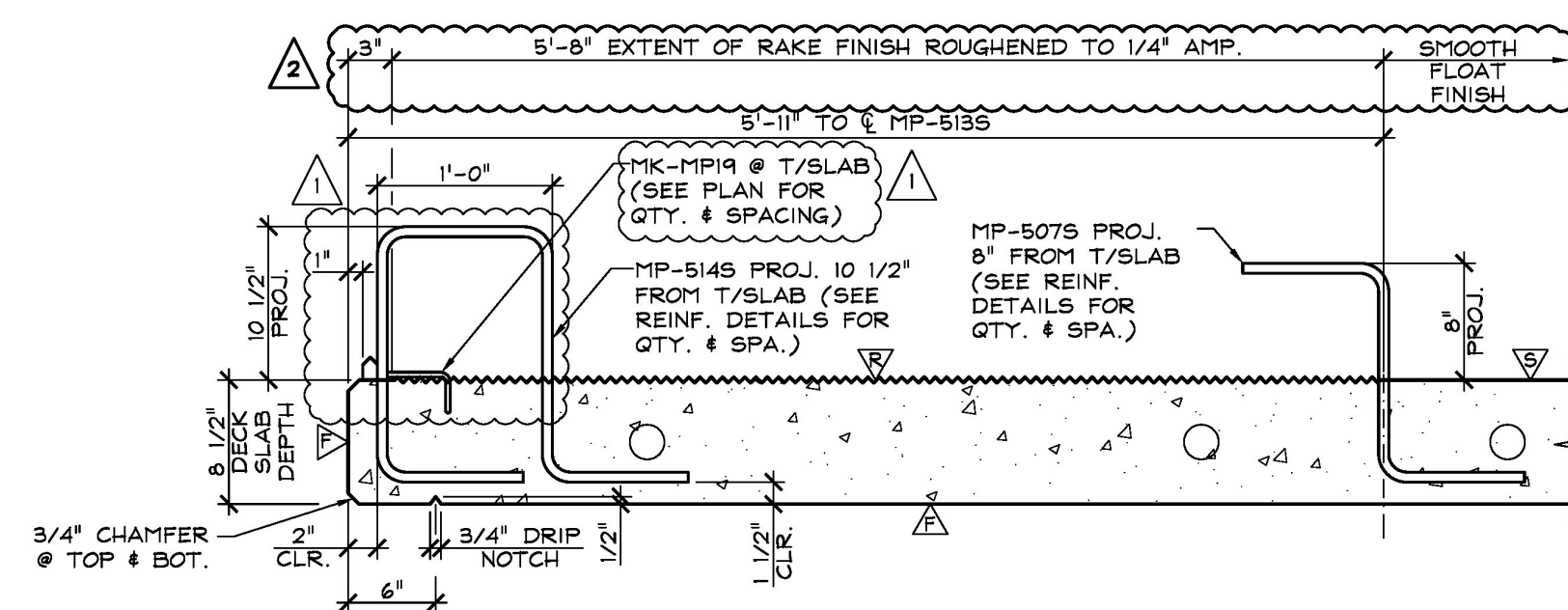


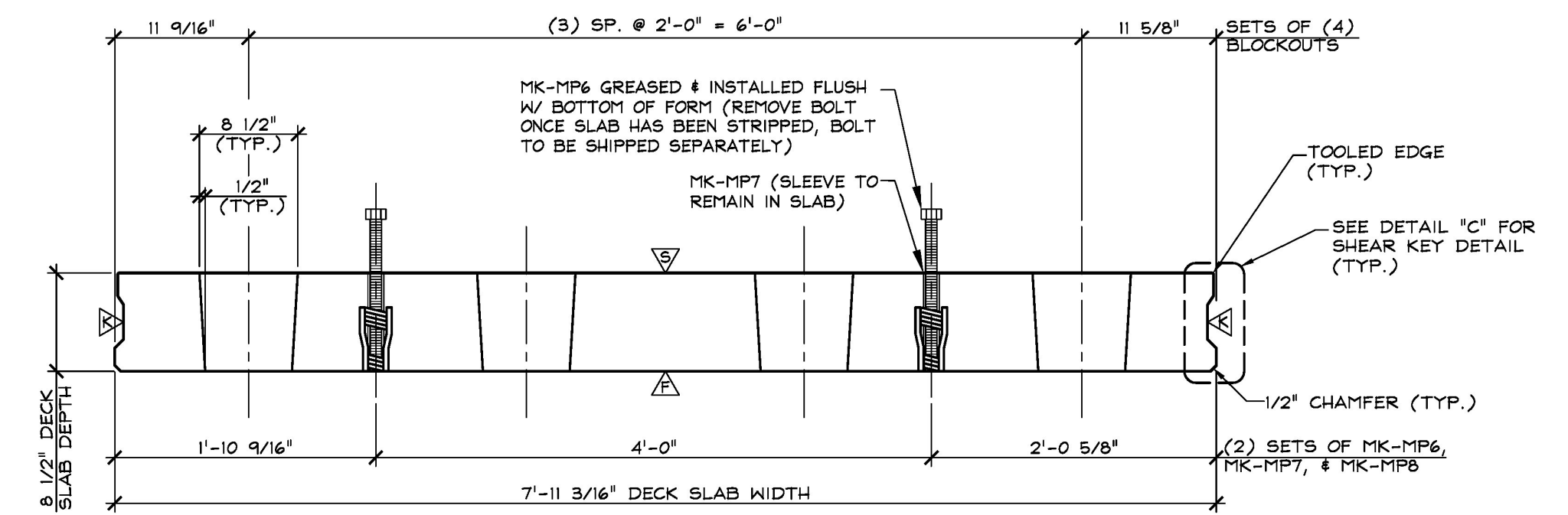
1 DIMENSIONAL PLAN VIEW IN FORM  
S9  
1/2" = 1'-0"



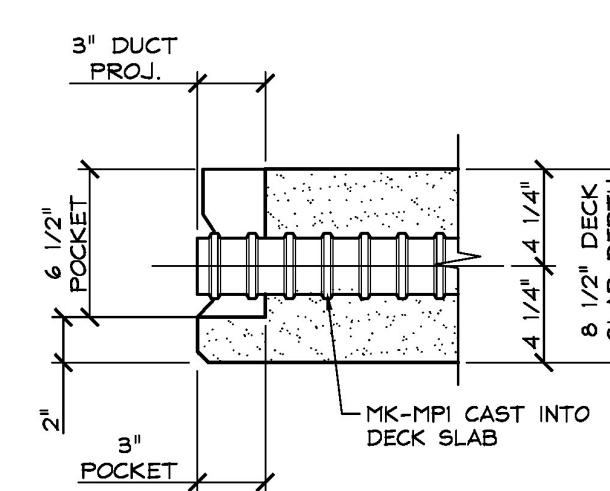
2 DIMENSIONAL ELEVATION  
S9  
1/2" = 1'-0"



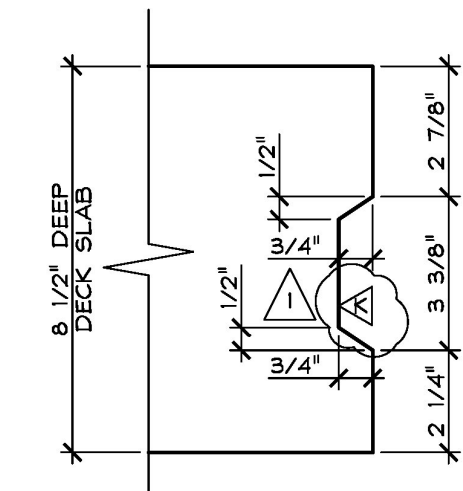
B SECTION - "B"  
S9  
1" = 1'-0"



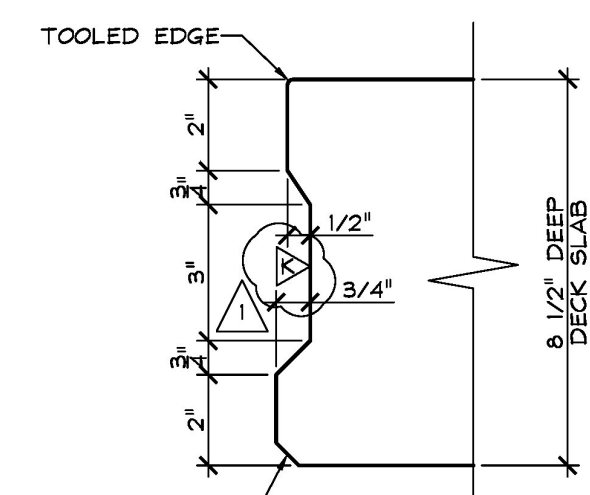
3 DIMENSIONAL SECTION  
S9  
1" = 1'-0"



A SECTION - "A"  
S9  
1 1/2" = 1'-0"



B SECTION - "B"  
S9  
3" = 1'-0"



C SECTION - "C"  
S9  
3" = 1'-0"

SHOP NOTE:  
f'c = 5,000 PSI  
f'ci = 4,000 PSI  
MIX # 445 MBCC (NO DCI)

MARK:	MP-DS9	QTY.:	17	WT.:	12.62 T	VOL.:	6.23 cy
MATERIAL LIST / DECK SLAB							
ITEM	MARK	DESCRIPTION					QTY.
1							
2	MK-MP6	1" X 1'-2" LEVELING BOLT (COIL THREAD)					8
3	MK-MP7	1" O.D. 6 1/2" PVC PIPE SLEEVE					8
4	MK-MP8	DAYTON 1" F-56 EXPANDED COIL INSERT (2-STRUT) (GALV.)					8
5	MK-MP9	4T X 5 3/4" SWIFT LIFT LIFTER (GALV.) (DOMESTIC)					4
6	MK-MP10	GTI 2 3/8" X 7'-11 3/16" LONG CORRUGATED PT DUCT (SUPPLIED BY OTHERS)					14
7	MK-MPI0	DAYTON C-24 TYPE 4-APR DECK FORM HANGER (GALV.)					2

- ▲ DENOTES FORM FINISH
- ▲ DENOTES SMOOTH FLOAT FINISH
- ▲ DENOTES ROUGHENED FINISH (SEE GENERAL NOTE #5, SHEET #1)
- ▲ DENOTES RAKE FINISH ROUGHENED TO 1/4" AMPLITUDE

12-15-17 REVISIONS SUBMITTAL #2 COMMENTS

11-2-17 REVISIONS SUBMITTAL #1 COMMENTS

APPROVED: Approval of drawings and/or procedures indicates concurrence with the information presented and does not relieve the Contractor or fabricator of compliance with all specifications and code requirements.

APPROVED AS NOTED

REVISE AND RESUBMIT

NOT REVIEWED

Date: 2/14/18

By: *[Signature]*

This review by Stantec Consulting Services, Inc. is for the sole purpose of ascertaining conformance with the general design intent. This review shall not constitute that Stantec Consulting Services, Inc. approves the detail design inherent in the shop drawings, responsibility for which shall remain with the Contractor. Submitting same, and such review shall not relieve the Contractor of his responsibility for errors or omissions in the shop drawing or of his responsibility for meeting all requirements of the Contract Documents. The contractor is responsible for dimensions to be confirmed and correlated at the job site, for information that pertains solely to the fabrication processes or to techniques of construction and installation and for coordination of the work of all subcontractors.

APPROVAL STAMP:



J.P. CARRARA & SONS INC.  
Precast & Prestress Manufacturer  
2644 GISE STR., WOODBURY, VERMONT 05753 Phone: (802)388-5361 Fax: (802)388-8010

CCS CONSTRUCTORS, INC.  
CONTRACTOR  
MORRISVILLE, VERMONT

STATE OF VERMONT AGENCY OF TRANSPORTATION  
COUNTY OF WASHINGTON

TOWN OF EAST MONTPELIER  
VT ROUTE 14, MINOR ARTERIAL  
BRIDGE NO.: 68 PROJECT NO.: BRF 037-1 (7)

DATE: SEPT. 14, 2017  
SCALE: NOTED  
CHKD: K.P. DFTM: A.S.  
JOB NO: 23515-017  
DWG. NO: S9