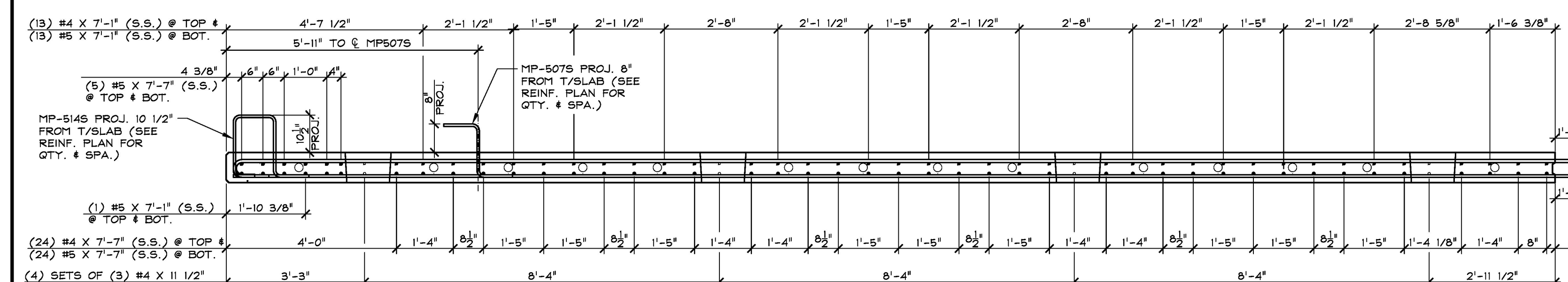
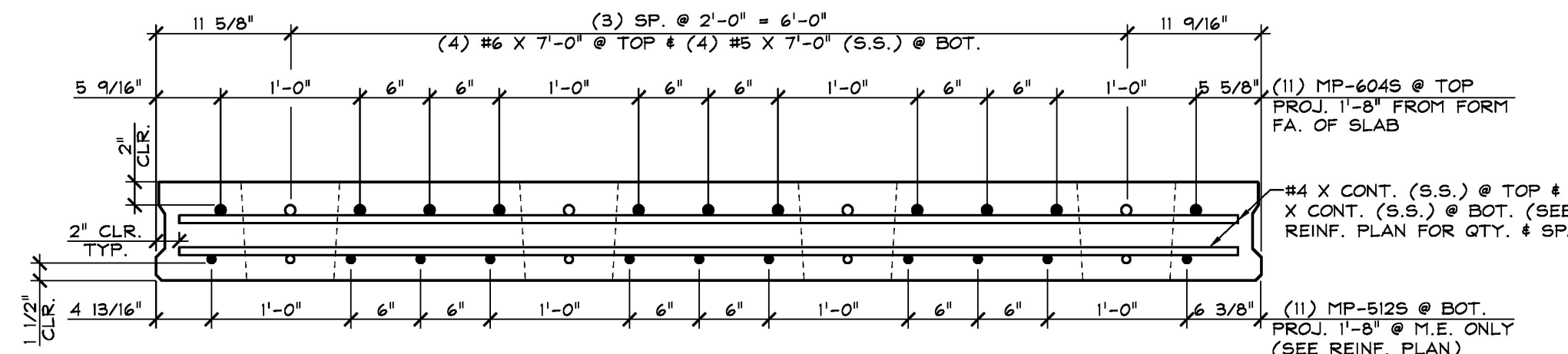


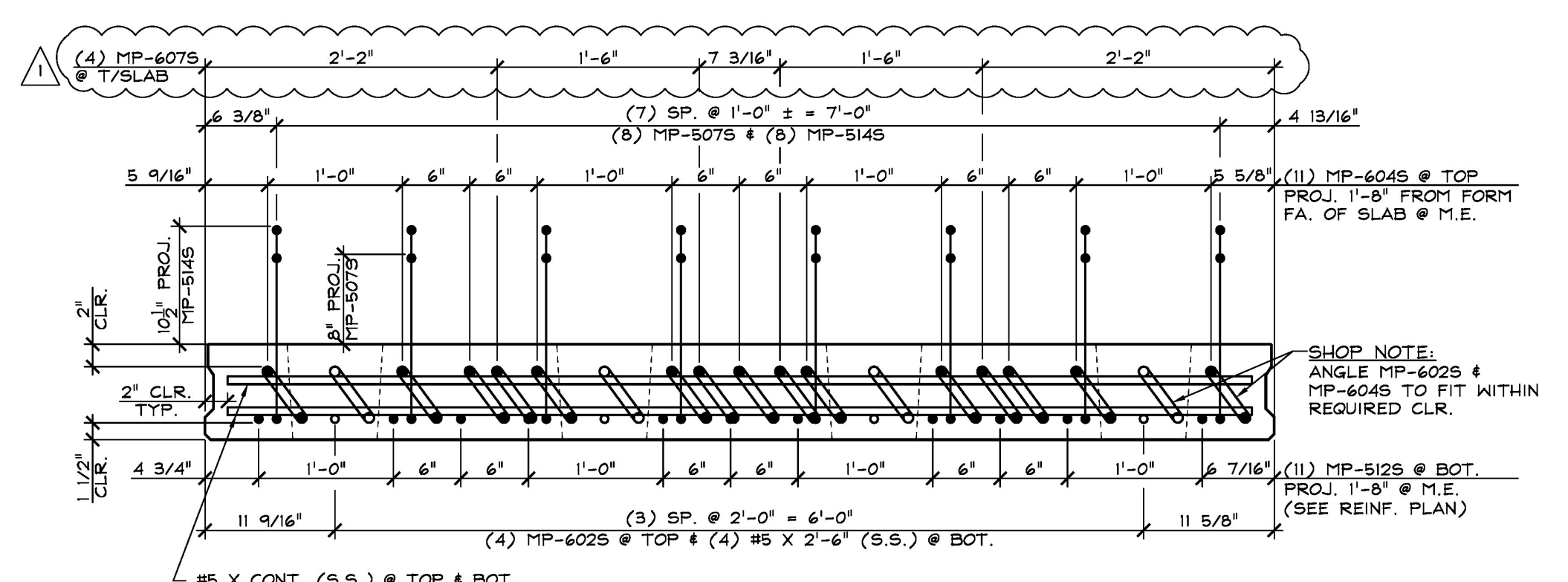
**1 REINFORCING PLAN VIEW IN FORM**  
S9.1  
1/2" = 1'-0"



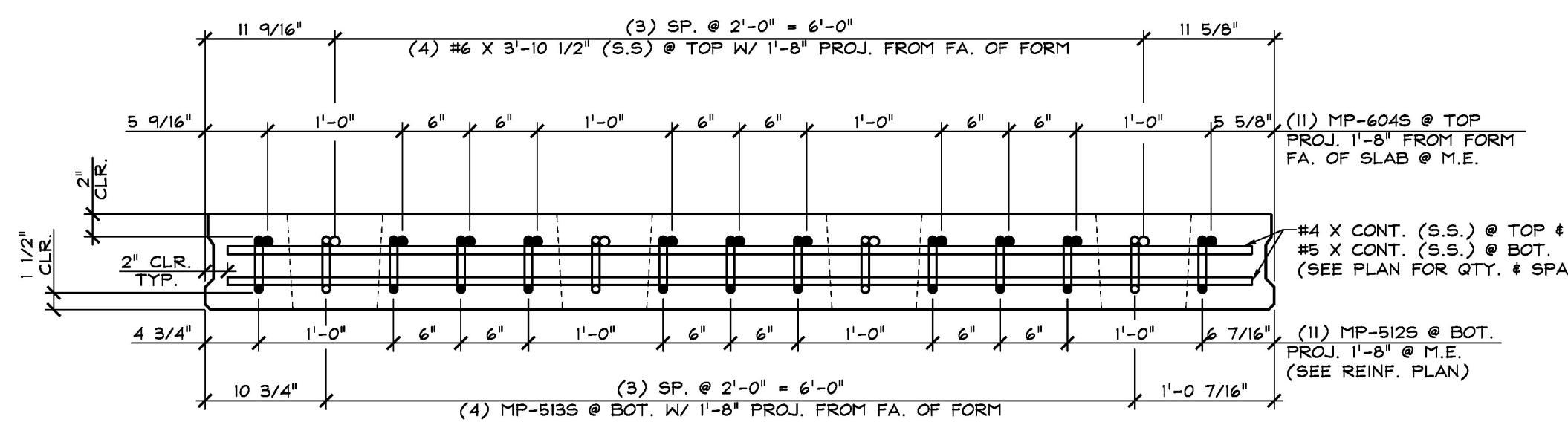
**2 REINFORCING ELEVATION**  
S9.1  
1/2" = 1'-0"



**3 REINFORCING SECTION**  
S9.1 @ MIDSPAN  
1" = 1'-0"



**4 REINFORCING SECTION**  
S9.1 @ BEAM N.M.E.  
1" = 1'-0"



**5 REINFORCING SECTION**  
S9.1 @ BEAM M.E.  
1" = 1'-0"

**SHOP NOTE:**  
F<sub>c</sub> = 5,000 PSI  
F<sub>c</sub>i = 4,000 PSI  
MIX # 445 MSCC (NO DCI)

MARK: MP-DS9 QTY.: 17 WT.: 12.62 T VOL.: 6.23 cy			
MATERIAL LIST / DECK SLAB			
ITEM	MARK	DESCRIPTION	QTY.
1			
2	MP-5075	#5 BENT BAR (STAINLESS STEEL)	8
3	MP-5125	#5 BENT BAR (STAINLESS STEEL)	11
4	MP-5135	#5 BENT BAR (STAINLESS STEEL)	4
5	MP-5145	#5 BENT BAR (STAINLESS STEEL)	8
6	MP-6025	#6 BENT BAR (STAINLESS STEEL)	4
7	MP-6045	#6 BENT BAR (STAINLESS STEEL)	11
8	MP-6075	#6 BENT BAR (STAINLESS STEEL)	4
9			
10		#4 X 0'-11 1/2" (STAINLESS STEEL)	12
11		#4 X 7'-1" (STAINLESS STEEL)	13
12		#4 X 7'-7" (STAINLESS STEEL)	24
13		#5 X 0'-11 1/2" (STAINLESS STEEL)	12
14		#5 X 2'-6" (STAINLESS STEEL)	4
15		#5 X 7'-0" (STAINLESS STEEL)	12
16		#5 X 7'-1" (STAINLESS STEEL)	15
17		#5 X 7'-7" (STAINLESS STEEL)	34
18		#6 X 3'-10 1/2" (STAINLESS STEEL)	4
19		#6 X 7'-0" (STAINLESS STEEL)	12

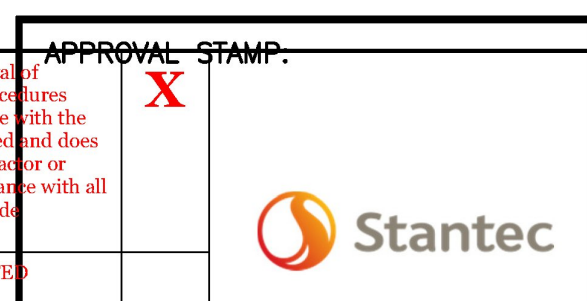
APPROVED AS NOTED

REVIS AND RESUBMIT

NOT REVIEWED

Date: 2/14/18

By: *[Signature]*



**J.P. CARRARA & SONS INC.**  
Precast & Prestress Manufacturer  
264 GSE STR., WOODBURY, VERMONT 05753 Phone: (802)388-5361 Fax: (802)388-8010

**CCS CONSTRUCTORS, INC.**  
CONTRACTOR  
MORRISVILLE, VERMONT

**STATE OF VERMONT AGENCY OF TRANSPORTATION**  
COUNTY OF WASHINGTON

DATE: SEPT. 14, 2017  
SCALE: NOTED  
CHKD: K.P. DFTM: A.S.  
JOB NO: 23515-017  
DWG. NO: S9.1

**TOWN OF EAST MONTPELIER**  
VT ROUTE 14, MINOR ARTERIAL  
BRIDGE NO.: 68 PROJECT NO.: BRF 037-1 (7)  
**PRECAST CONCRETE DECK SLAB**  
DETAILS

11-2-17 REVISIONS SUBMITTAL #1 COMMENTS

APPROVED: Approval of drawings and/or procedures indicates concurrence with the information presented and does not relieve the Contractor or Fabricator of compliance with all specifications and code requirements.

conformance with the general design concept. This review shall not mean that Stantec Consulting Services Inc. approves the detail design inherent in the shop drawings, responsibility for which shall remain with the Contractor. Submitting same, and such review shall not relieve the Contractor of his responsibility for errors or omissions in the shop drawing or of his responsibility for meeting all requirements of the Contract Documents. The contractor is responsible for dimensions to be confirmed and correlated at the job site, for information that pertains solely to the fabrication processes or to techniques of construction and installation and for coordination of the work of all subcontractors.