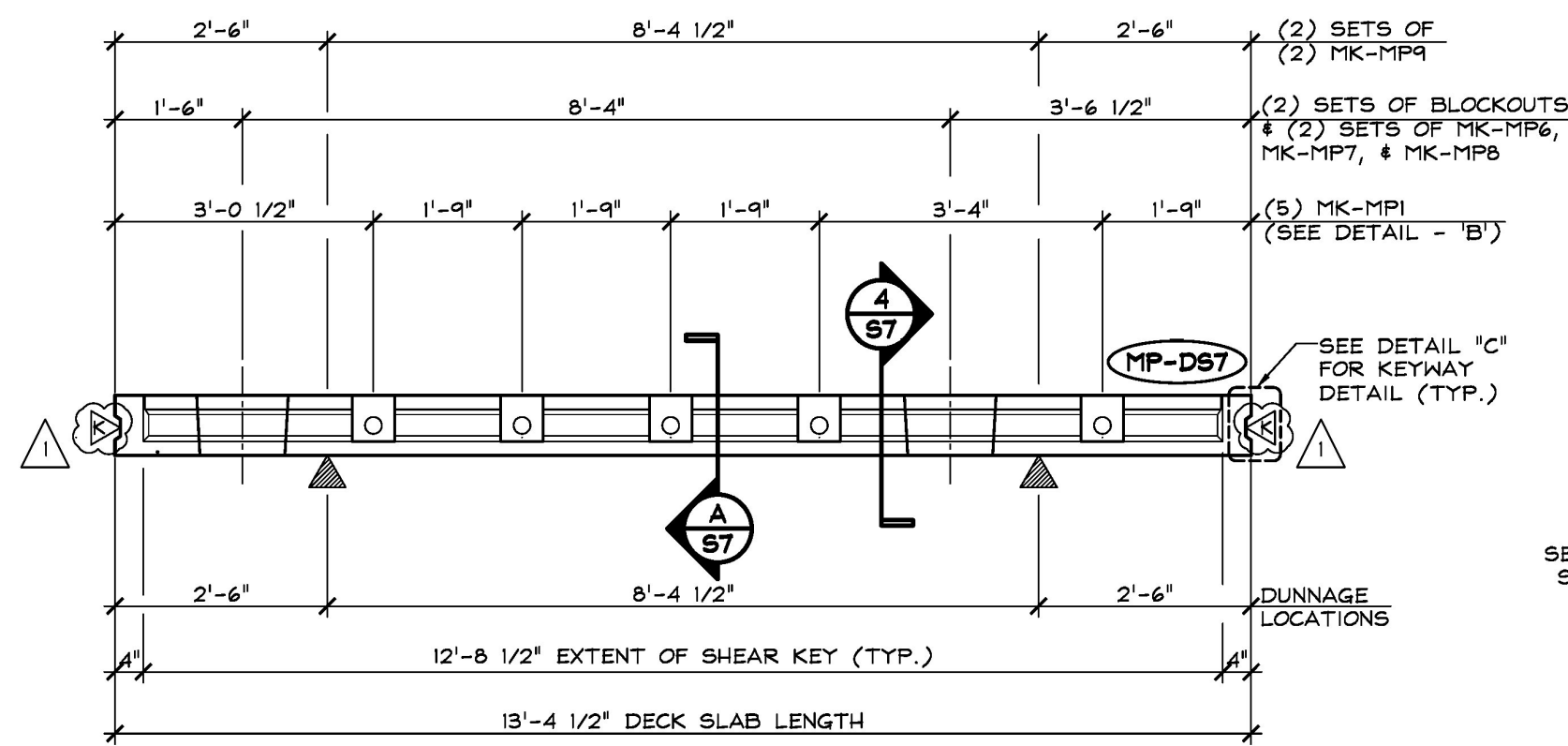
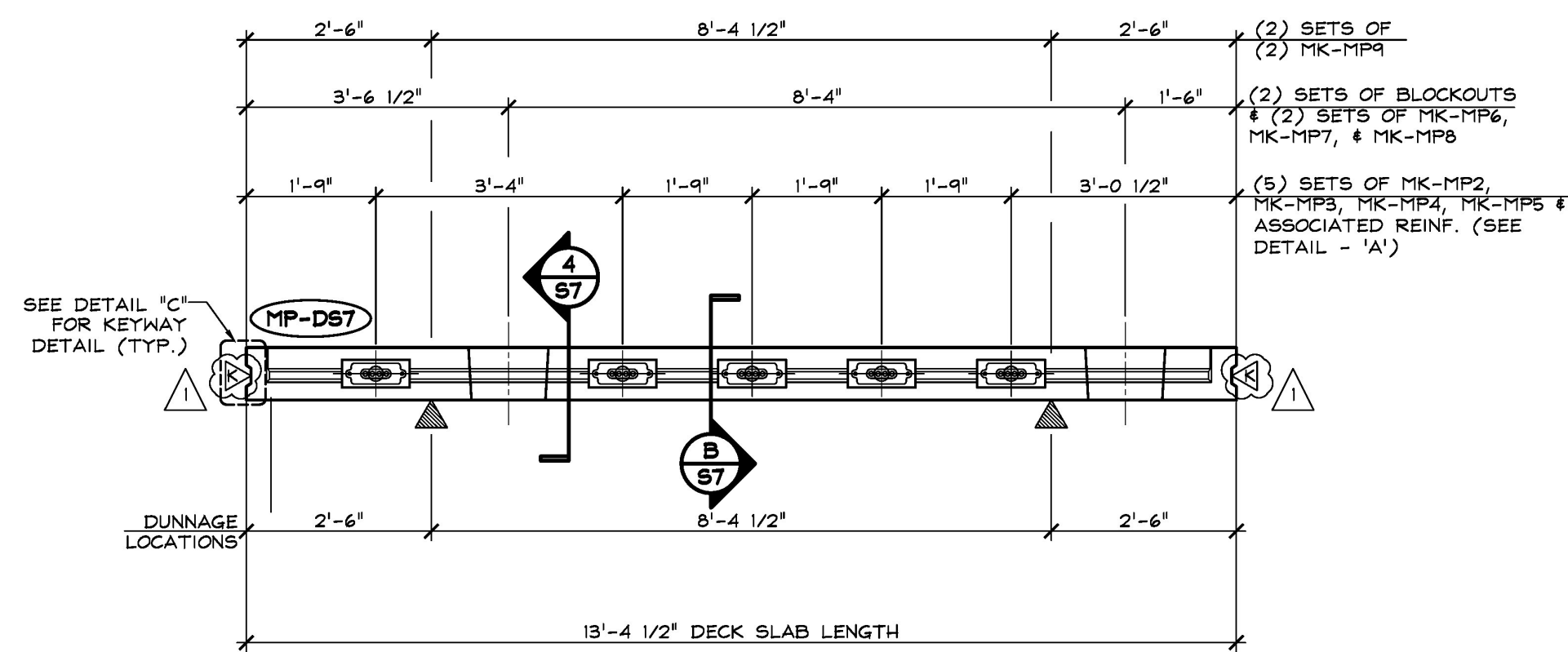


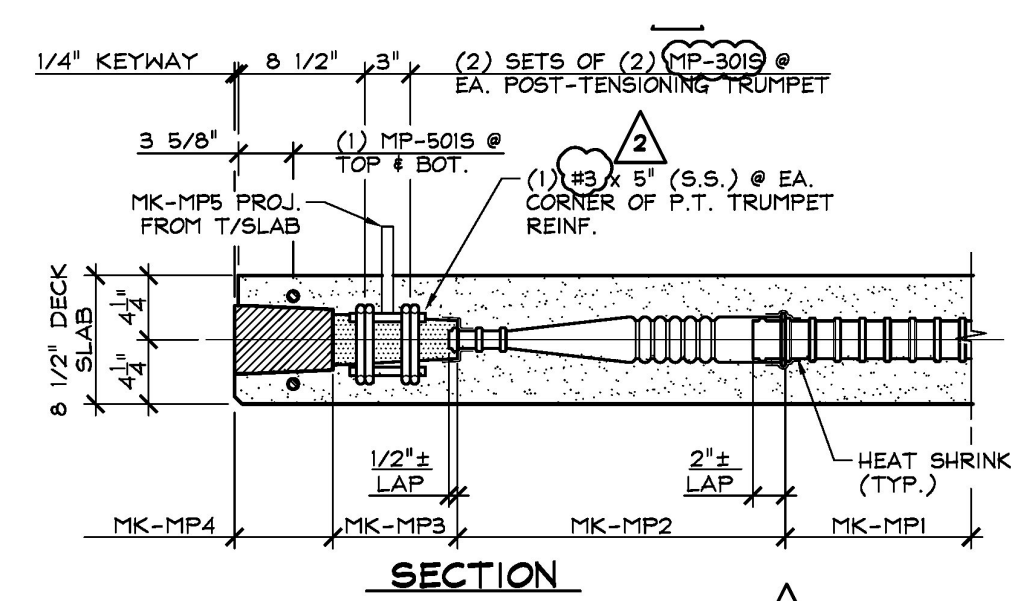
1 DIMENSIONAL PLAN VIEW IN FORM
S7
1/2" = 1'-0"



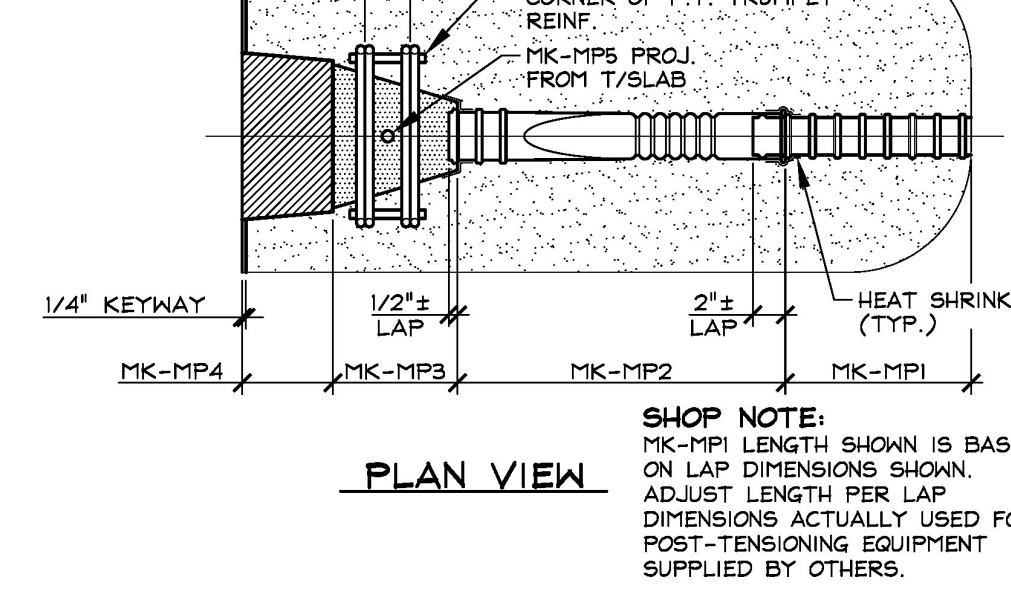
2 DIMENSIONAL ELEVATION
S7
1/2" = 1'-0"



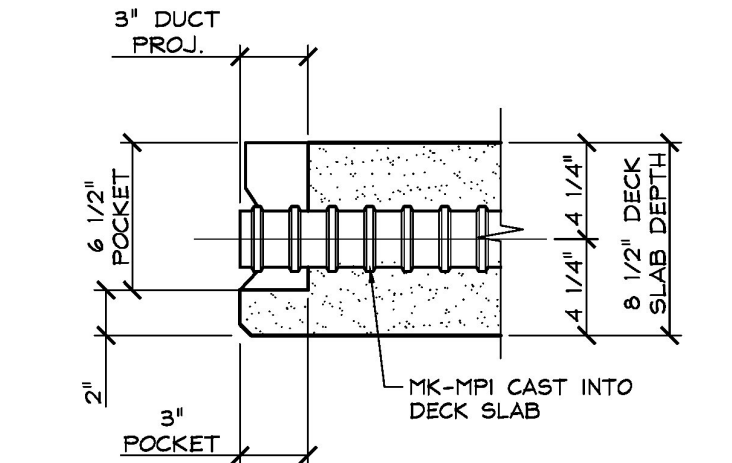
3 DIMENSIONAL ELEVATION
S7
1/2" = 1'-0"



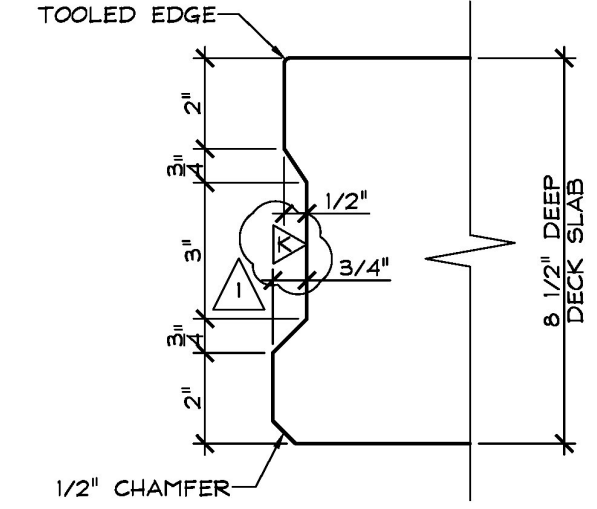
SECTION A
S7
1" = 1'-0"



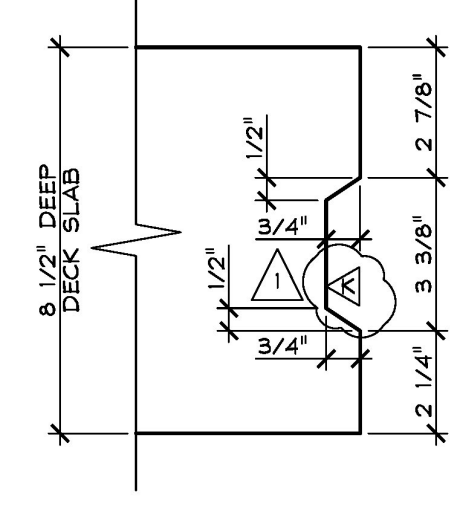
SECTION B
S7
1" = 1'-0"



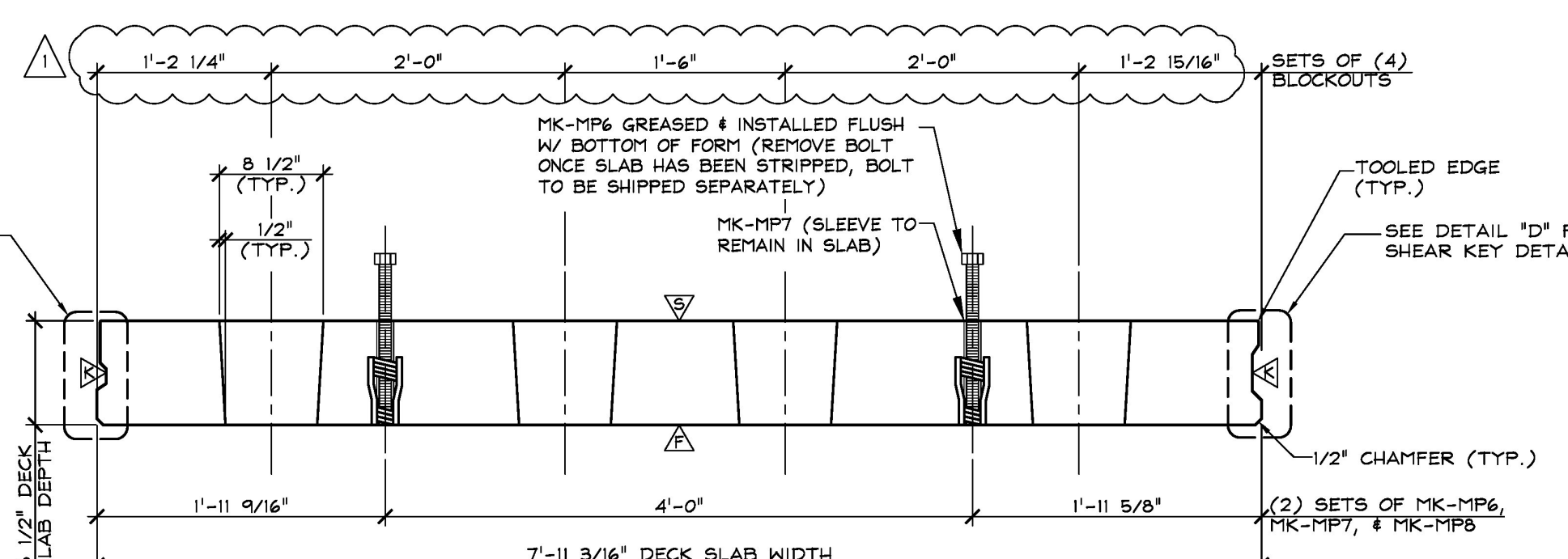
SECTION C
S7
1 1/2" = 1'-0"



SECTION D
S7
3" = 1'-0"



SECTION E
S7
3" = 1'-0"



4 DIMENSIONAL SECTION
S7
1" = 1'-0"

SHOP NOTE: