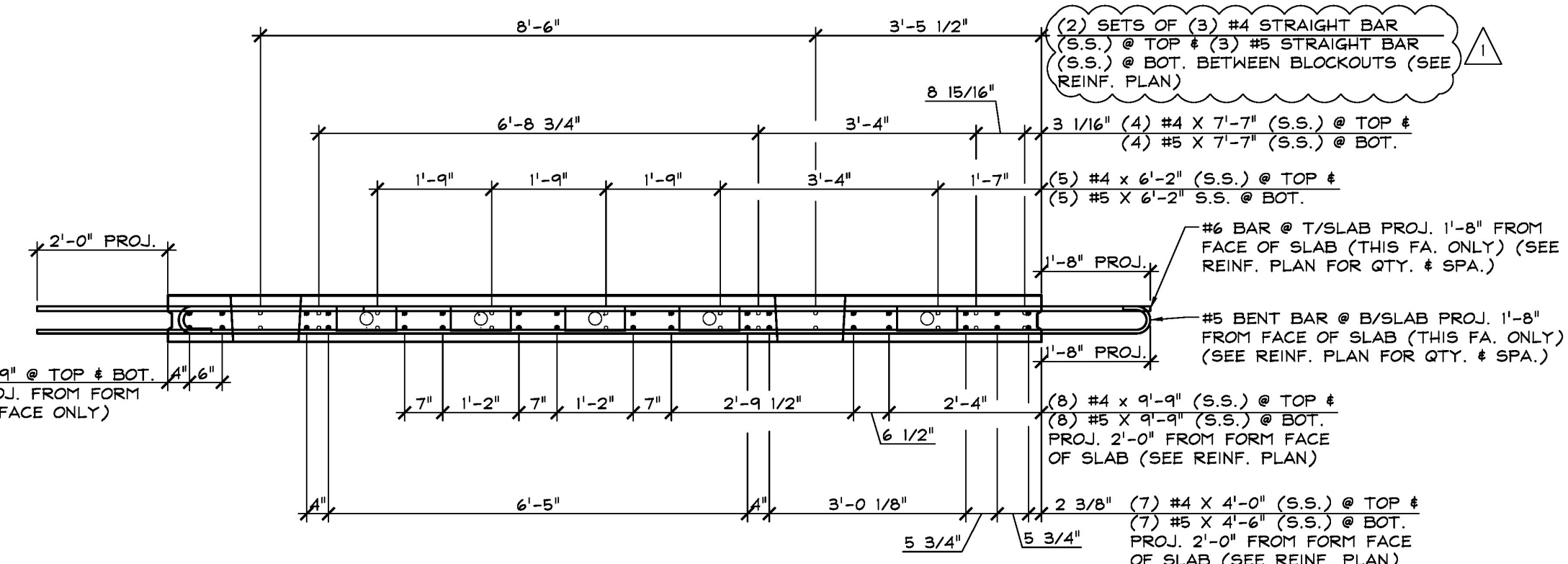
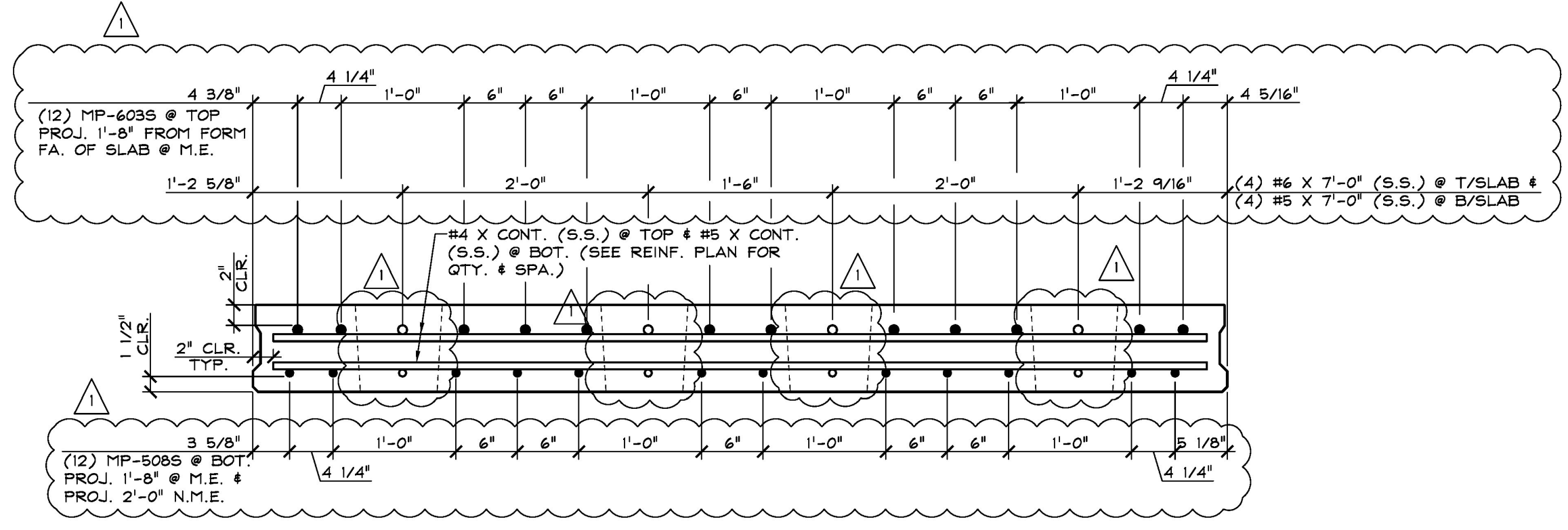


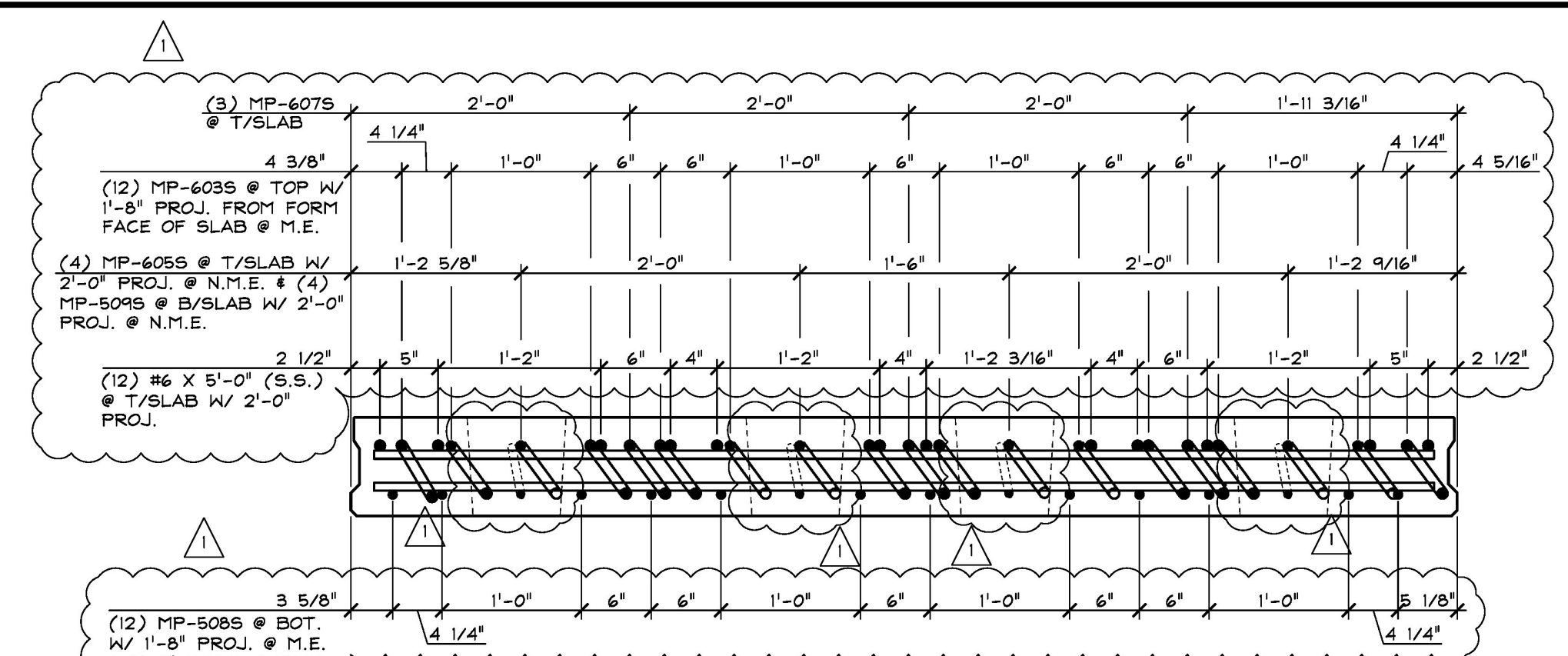
1 REINFORCING PLAN VIEW IN FORM
S7.1
1/2" = 1'-0"



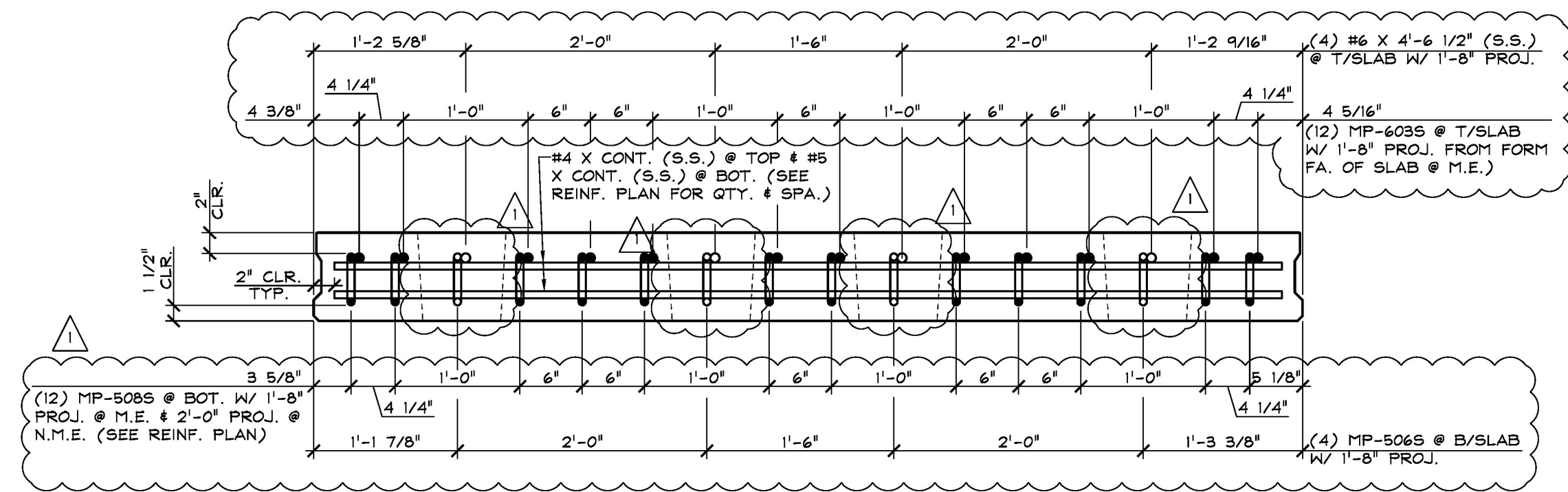
2 REINFORCING ELEVATION
S7.1
1/2" = 1'-0"



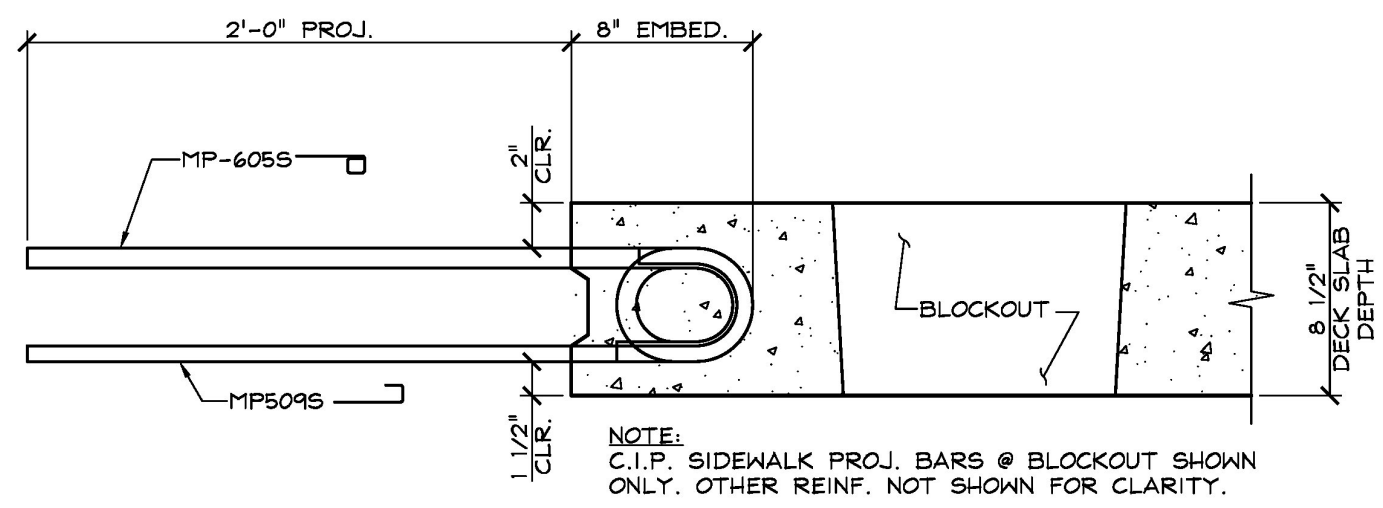
3 REINFORCING SECTION
S7.1 @ MIDSPAN
1" = 1'-0"



4 REINFORCING SECTION
S7.1 @ BEAM N.M.E.
1" = 1'-0"



5 REINFORCING SECTION
S7.1 @ BEAM M.E.
1" = 1'-0"



A SECTION - "A"
S7.1
1 1/2" = 1'-0"

SHOP NOTE:
F_c = 5,000 PSI
F_c = 3,000 PSI
MIX # 445 M5CC (NO DCI)

SHOP NOTE:
SEE DRAWING 'S7' FOR ADDITIONAL REINF.

MARK: MP-DS7 QTY.: 1 WT.: 5.37 T VOL.: 2.66 cy			
MATERIAL LIST / DECK SLAB			
ITEM	MARK	DESCRIPTION	QTY.
1			
2	MP-506S	#5 BENT BAR (STAINLESS STEEL)	4
3	MP-508S	#5 BENT BAR (STAINLESS STEEL)	12
4	MP-509S	#5 BENT BAR (STAINLESS STEEL)	4
5	MP-603S	#6 BENT BAR (STAINLESS STEEL)	12
6	MP-605S	#6 BENT BAR (STAINLESS STEEL)	4
7	MP-607S	#6 BENT BAR (STAINLESS STEEL)	3
8			
9		#4 X 0'-5 1/2" (STAINLESS STEEL)	2
10		#4 X 0'-11 1/2" (STAINLESS STEEL)	4
11		#4 X 4'-0" (STAINLESS STEEL)	7
12		#4 X 6'-2" (STAINLESS STEEL)	5
13		#4 X 7'-7" (STAINLESS STEEL)	4
14		#4 X 9'-9" (STAINLESS STEEL)	8
15		#5 X 0'-5 1/2" (STAINLESS STEEL)	2
16		#5 X 0'-11 1/2" (STAINLESS STEEL)	4
17		#5 X 4'-6" (STAINLESS STEEL)	7
18		#5 X 6'-2" (STAINLESS STEEL)	5
19		#5 X 7'-0" (STAINLESS STEEL)	4
20		#5 X 7'-7" (STAINLESS STEEL)	4
21		#5 X 9'-9" (STAINLESS STEEL)	16
22		#6 X 4'-6 1/2" (STAINLESS STEEL)	4
23		#6 X 5'-0" (STAINLESS STEEL)	12
		#6 X 7'-0" (STAINLESS STEEL)	4

11-2-17 REVISIONS SUBMITTAL # COMMENTS

APPROVAL/STAMP: X

INDICATES CONCURRENCE WITH THE INFORMATION PRESENTED AND DOES NOT RELIEVE THE CONTRACTOR OR FABRICATOR OF COMPLIANCE WITH ALL SPECIFICATIONS AND CODE REQUIREMENTS

APPROVED AS NOTED

REVIEW AND RESUBMIT

NOT REVIEWED

Date: 2/14/18

By: *[Signature]*

This Review by Stantec Consulting Services Inc. is for the sole purpose of ascertaining conformance with the general design concept. This review shall not mean that Stantec Consulting Services Inc. approves the detail design inherent in the shop drawings, responsibility for which shall remain with the Contractor. Submitting same, and such review shall not relieve the Contractor of his responsibility for errors or omissions in the shop drawing or of his responsibility for meeting all requirements of the Contract Documents. The contractor is responsible for dimensions to be confirmed and correlated at the job site, for information that pertains solely to the fabrication processes or to techniques of construction and installation and for coordination of the work of all substrates.

J.P. CARRARA & SONS INC.
Precast & Prestress Manufacturer
2644 GAGE ST., MORRISVILLE, VERMONT 05753 Phone: (802)388-6361 Fax: (802)388-9010

CCS CONSTRUCTORS, INC.
CONTRACTOR
MORRISVILLE, VERMONT

STATE OF VERMONT AGENCY OF TRANSPORTATION
COUNTY OF WASHINGTON

TOWN OF EAST MONTPELIER
VT ROUTE 14, MINOR ARTERIAL
BRIDGE NO.: 68 PROJECT NO.: BRF 037-1 (7)

PRECAST CONCRETE DECK SLAB
DETAILS

DATE: SEPT. 14, 2017
SCALE: NOTED
CHKD: K.P. DFTM: A.S.
JOB NO: 23515-017
DWG. NO: S7.1