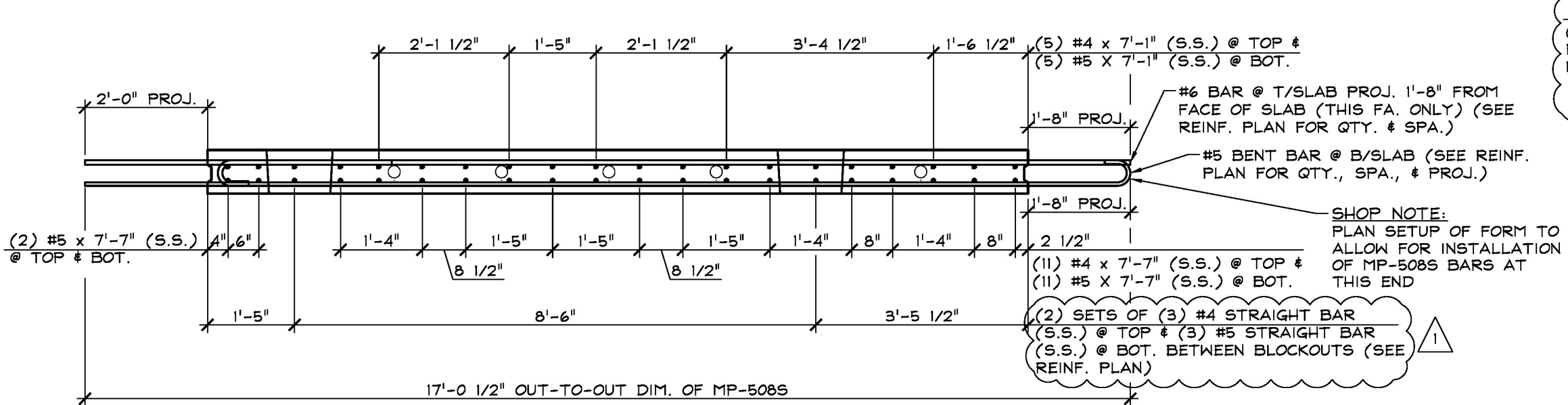
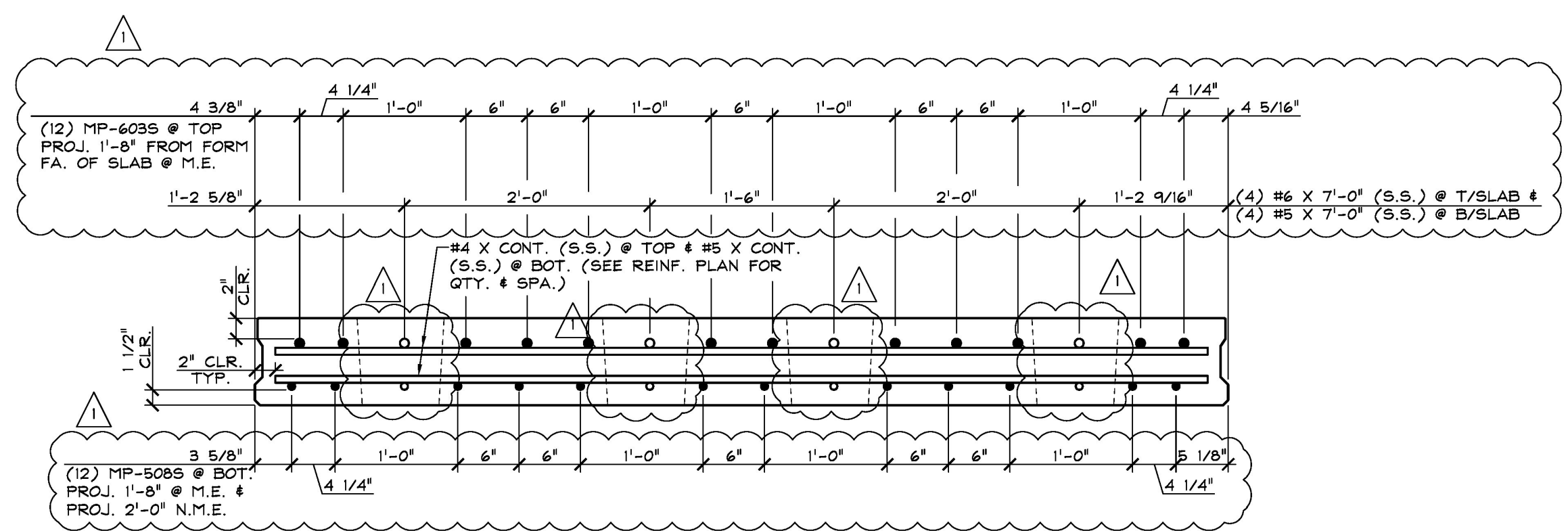


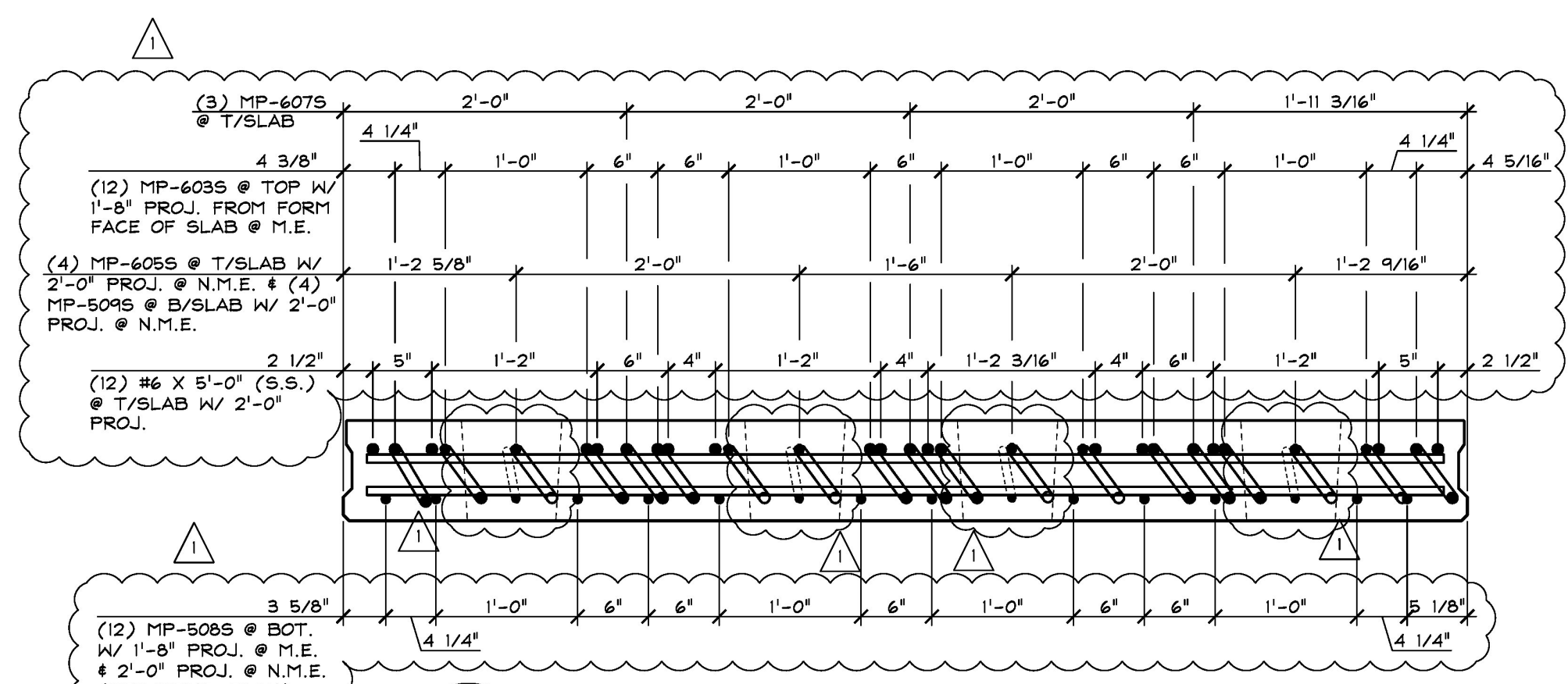
**1 REINFORCING PLAN VIEW IN FORM**  
S6.1 @ 1/2" = 1'-0"



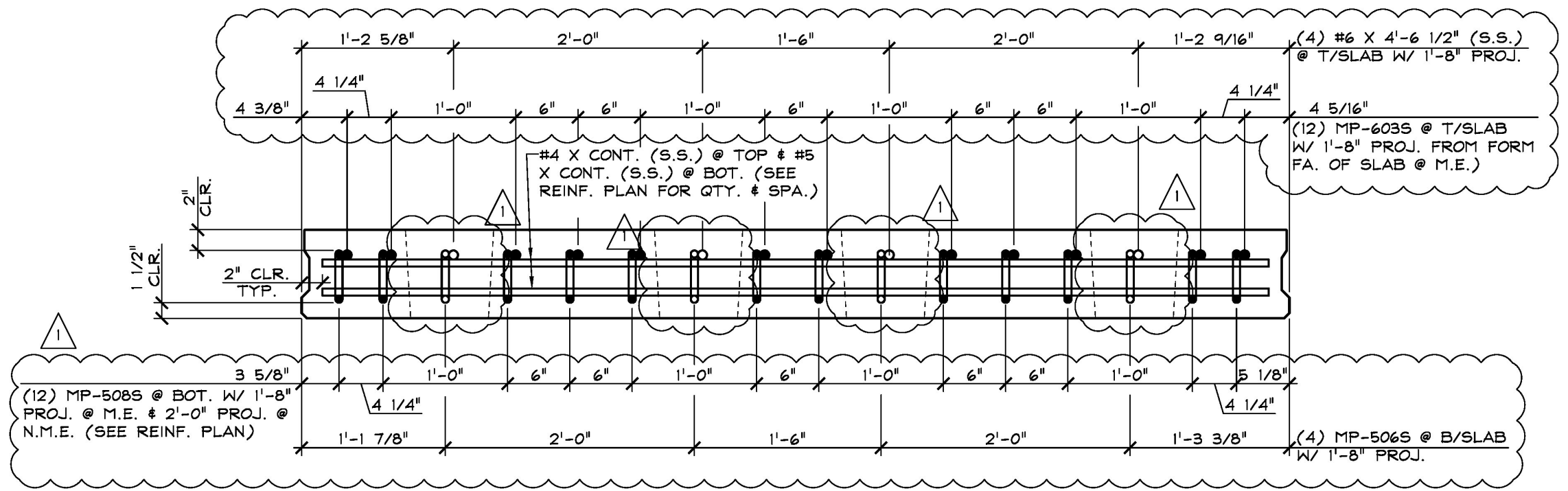
**2 REINFORCING ELEVATION**  
S6.1 @ 1/2" = 1'-0"



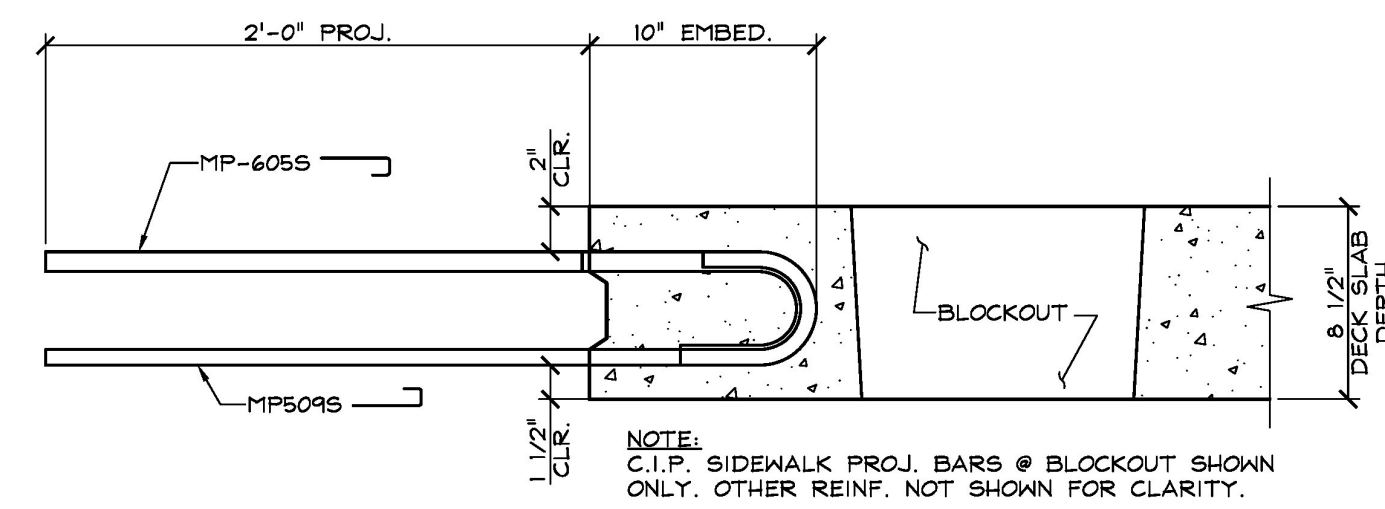
**3 REINFORCING SECTION**  
S6.1 @ MIDSPAN 1" = 1'-0"



**4 REINFORCING SECTION**  
S6.1 @ BEAM N.M.E. 1" = 1'-0"



**5 REINFORCING SECTION**  
S6.1 @ BEAM M.E. 1" = 1'-0"



**A SECTION - "A"**  
S6.1 1 1/2" = 1'-0"

**SHOP NOTE:**  
f'c = 5,000 PSI  
f'ci = 3,000 PSI  
MIX # 445 M5CC (NO DCI)

MARK: MP-DS6 QTY.: 1 WT.: 5.37 T VOL.: 2.66 cy			
MATERIAL LIST / DECK SLAB			
ITEM	MARK	DESCRIPTION	QTY.
1			
2	MP-5065	#5 BENT BAR (STAINLESS STEEL)	4
3	MP-5085	#5 BENT BAR (STAINLESS STEEL)	12
4	MP-5095	#5 BENT BAR (STAINLESS STEEL)	4
5	MP-6055	#5 BENT BAR (STAINLESS STEEL)	12
6	MP-6055	#6 BENT BAR (STAINLESS STEEL)	4
7	MP-6075	#6 BENT BAR (STAINLESS STEEL)	3
8			
9		#4 X 0'-5 1/2" (STAINLESS STEEL)	2
10		#4 X 0'-11 1/2" (STAINLESS STEEL)	4
11		#4 X 7'-1" (STAINLESS STEEL)	5
12		#4 X 7'-7" (STAINLESS STEEL)	11
13		#5 X 0'-5 1/2" (STAINLESS STEEL)	2
14		#5 X 0'-11 1/2" (STAINLESS STEEL)	4
15		#5 X 7'-0" (STAINLESS STEEL)	4
16		#5 X 7'-1" (STAINLESS STEEL)	5
17		#5 X 7'-7" (STAINLESS STEEL)	15
18		#6 X 4'-6 1/2" (STAINLESS STEEL)	4
19		#6 X 5'-0" (STAINLESS STEEL)	12
20		#6 X 7'-0" (STAINLESS STEEL)	4

APPROVED AS NOTED  
REVISE AND RESUBMIT  
NOT REVIEWED  
Date: 2/14/18  
By: *John E. Kivner*

**J.P. CARRARA & SONS INC.**  
Precast & Prestress Manufacturer  
2644 OAS ST., WOODBURY, VERMONT 05753 Phone: (802)388-5361 Fax: (802)388-9010

**Stantec** STATE OF VERMONT AGENCY OF TRANSPORTATION  
COUNTY OF WASHINGTON

**CCS CONSTRUCTORS, INC.**  
CONTRACTOR  
MORRISVILLE, VERMONT

DATE: SEPT. 14, 2017  
SCALE: NOTED  
CHKD: K.P. DFTM: A.S.  
JOB NO: 23515-017  
DWG. NO: S6.1

TOWN OF EAST MONTPELIER  
VT ROUTE 14, MINOR ARTERIAL  
BRIDGE NO.: 68 PROJECT NO.: BRF 037-1 (7)  
**PRECAST CONCRETE DECK SLAB DETAILS**

This review by Stantec Consulting Services Inc. is for the sole purpose of ascertaining that the drawings conform to the requirements of the State of Vermont. It does not constitute an approval of the design or construction of the project. The contractor shall remain responsible for the design and construction of the project. This review shall not relieve the Contractor of his responsibility for errors or omissions in the shop drawing or of his responsibility for meeting all requirements of the Contract Documents. The contractor is responsible for dimensions to be confirmed and coordinated at the job site, for information that pertains solely to the fabrication processes or to techniques of construction and installation and for coordination of the work of all trades.