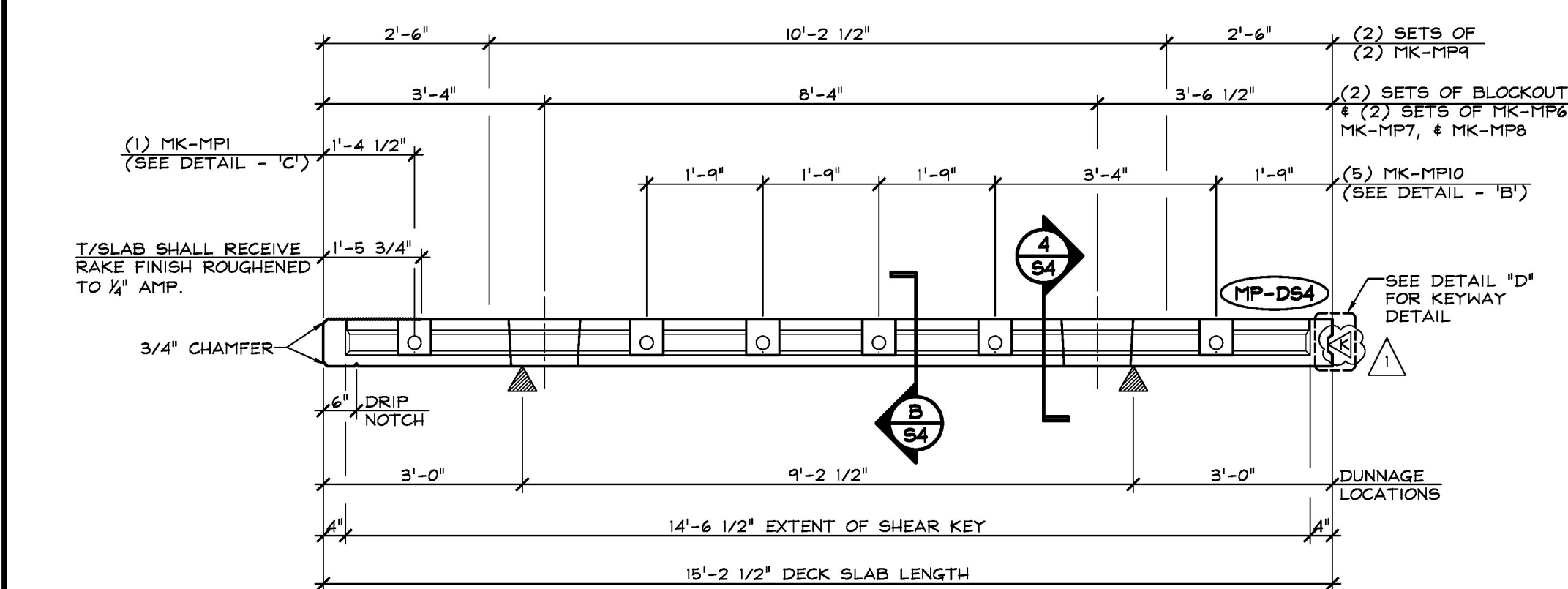
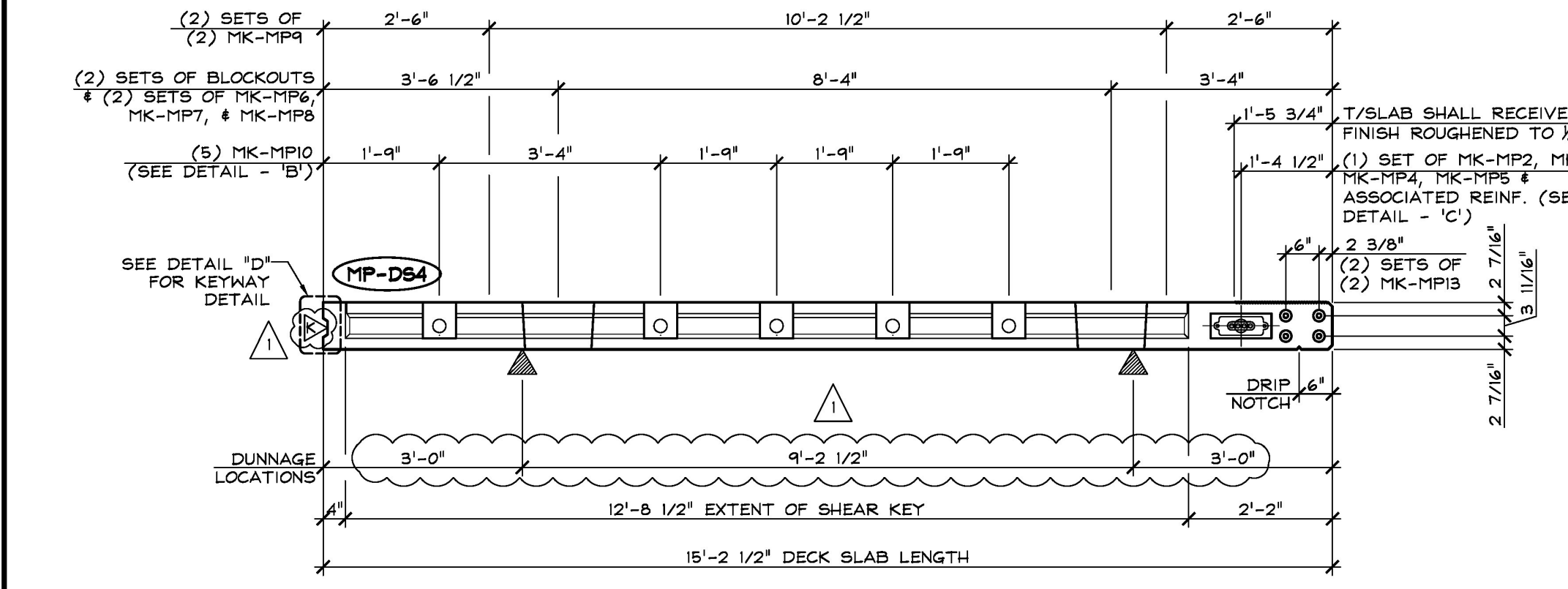


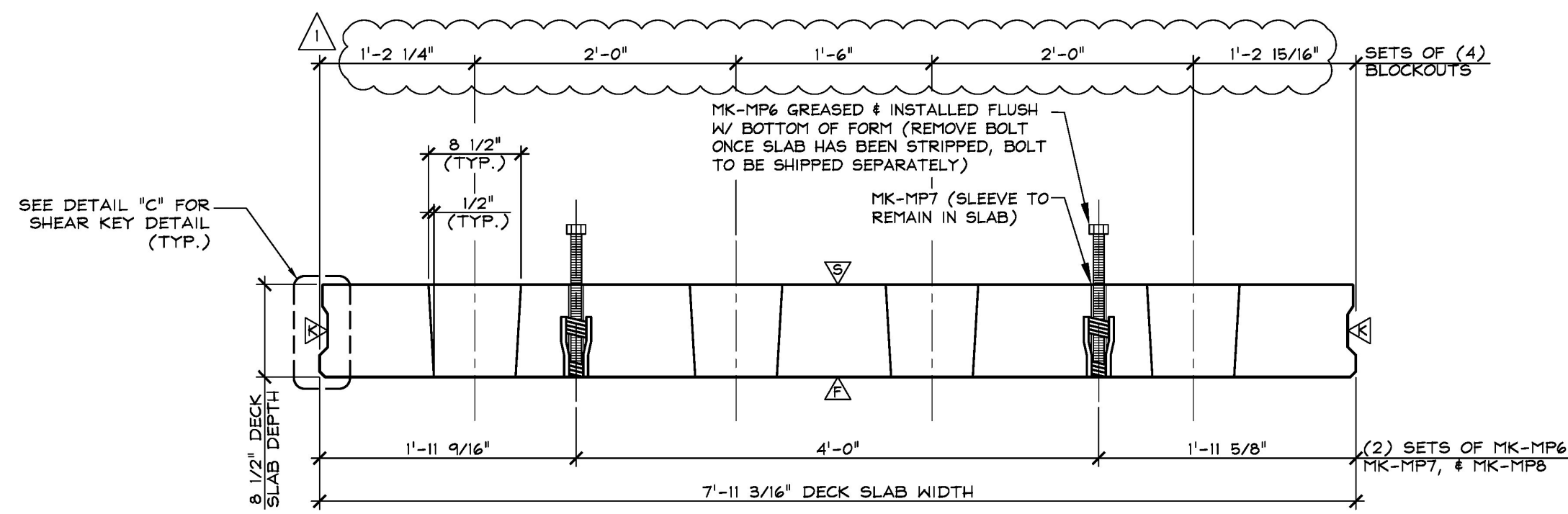
1 DIMENSIONAL PLAN VIEW IN FORM
S4 1/2" = 1'-0"



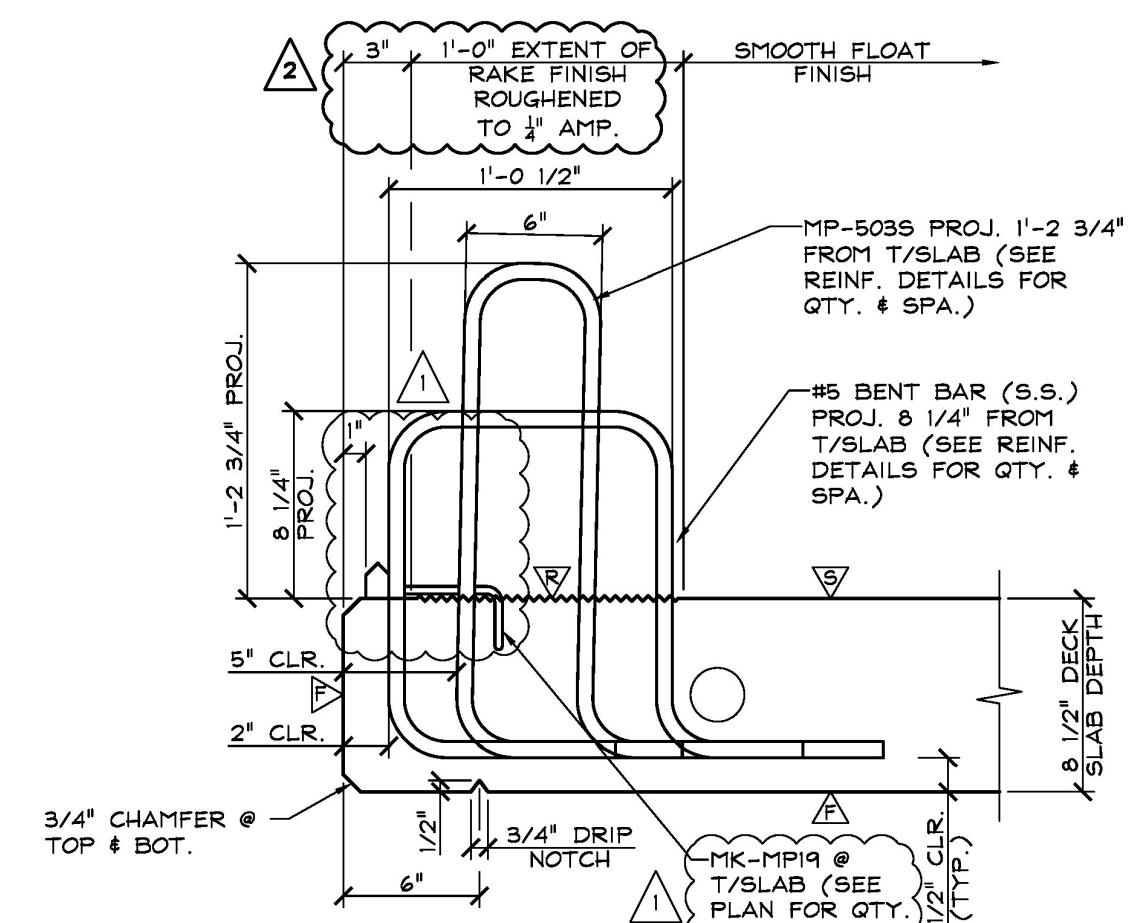
2 DIMENSIONAL ELEVATION
S4 1/2" = 1'-0"



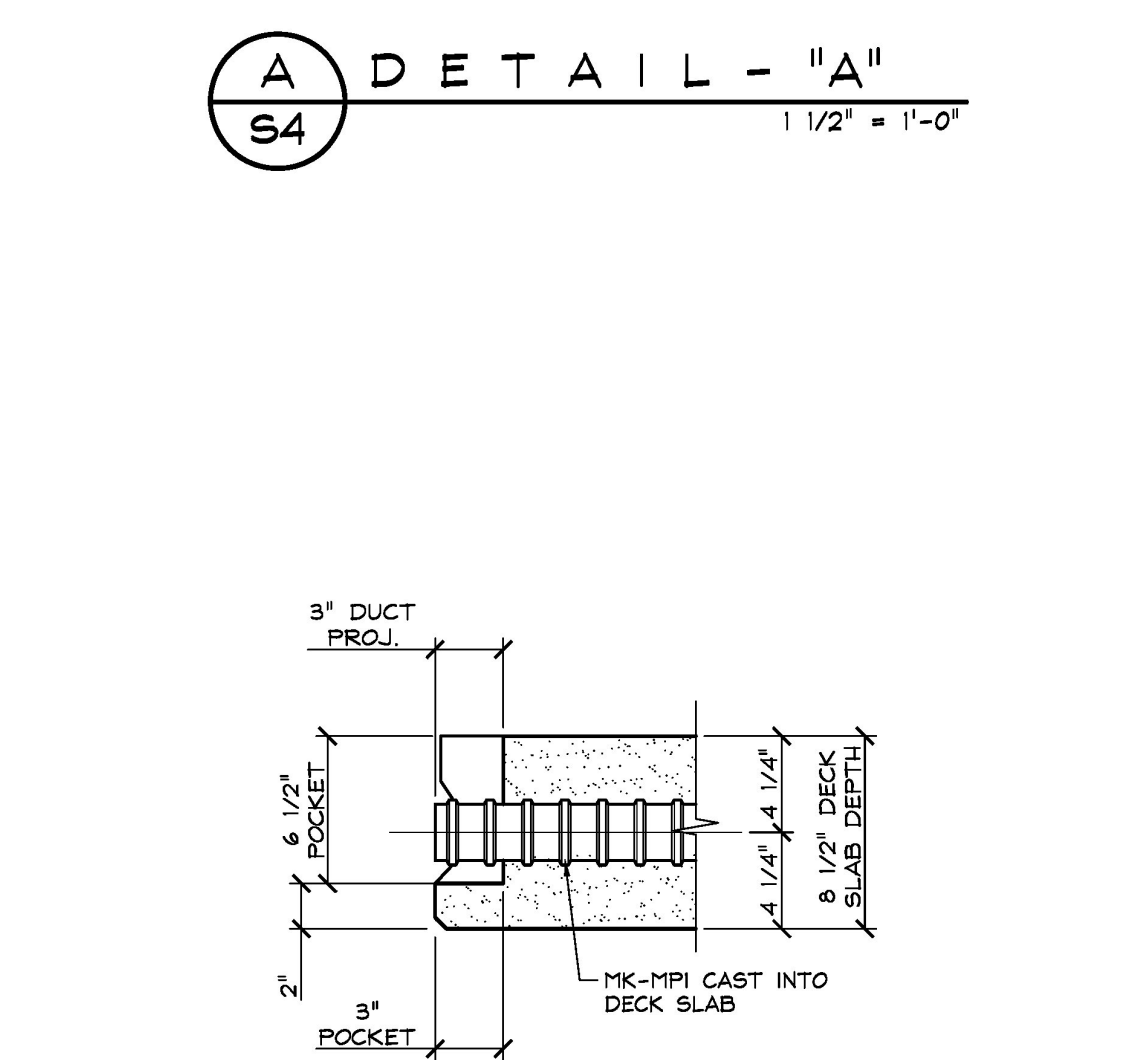
3 DIMENSIONAL ELEVATION
S4 1/2" = 1'-0"



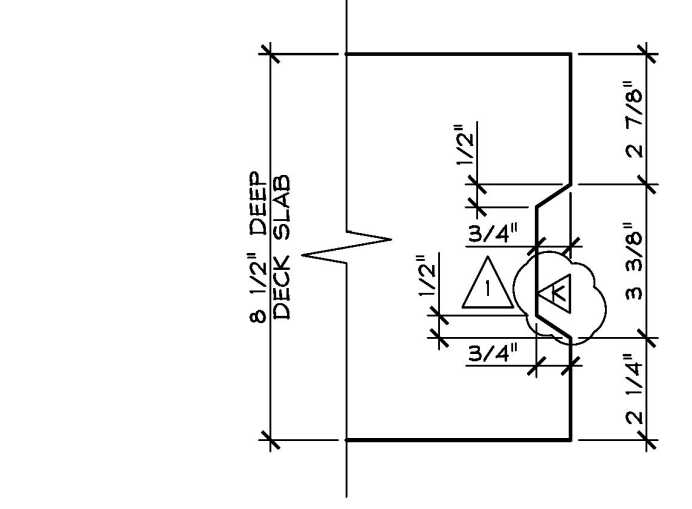
4 DIMENSIONAL SECTION
S4 1" = 1'-0"



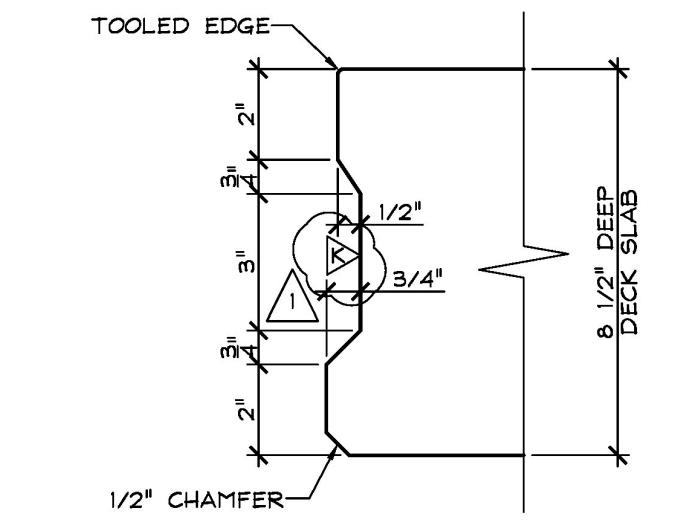
A DETAIL - 'A'
S4 1 1/2" = 1'-0"



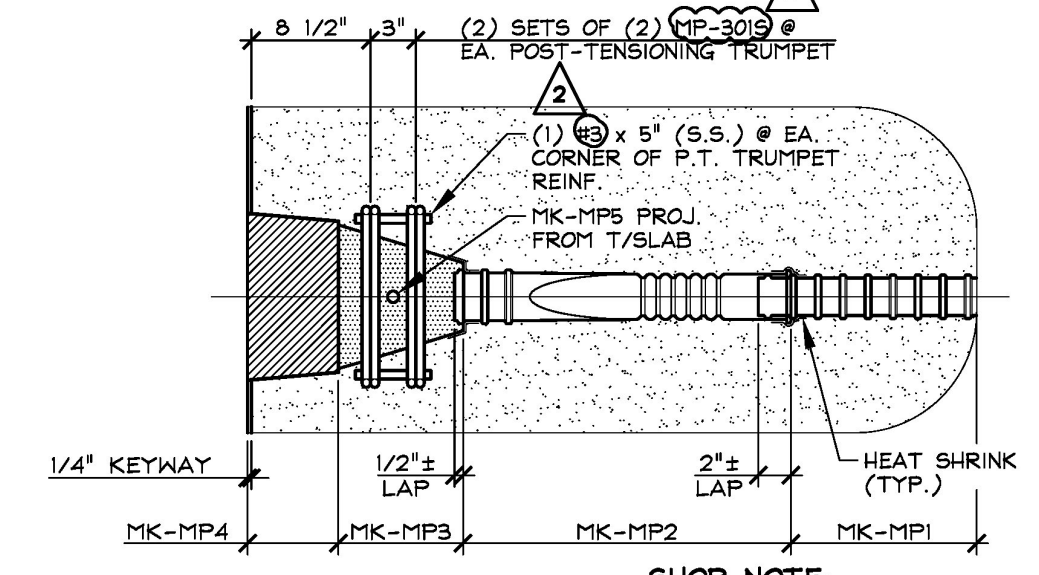
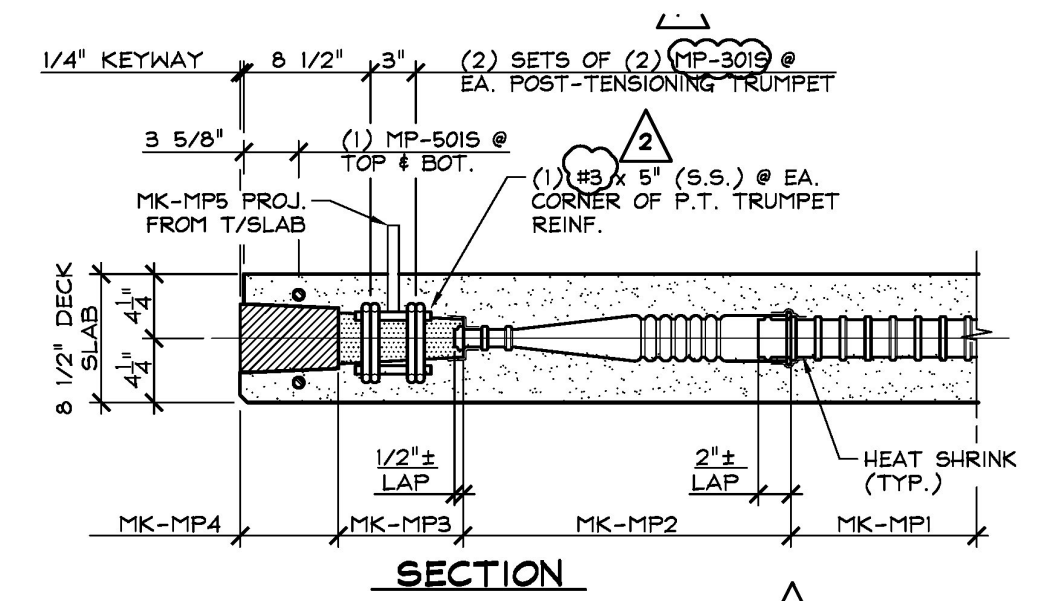
B DETAIL - 'B'
S4 1 1/2" = 1'-0"



D DETAIL - 'D'
S4 3" = 1'-0"



E DETAIL - 'E'
S4 3" = 1'-0"



C DETAIL - 'C'
S4 1" = 1'-0"

- △ DENOTES FORM FINISH
- △ DENOTES SMOOTH FLOAT FINISH
- △ DENOTES ROUGHENED FINISH (SEE GENERAL NOTE #5, SHEET 'F1')
- △ DENOTES RAKE FINISH ROUGHENED TO 1/4" AMPLITUDE

SHOP NOTE:
MK-MPI LENGTH SHOWN IS BASED ON LAP DIMENSIONS SHOWN. ADJUST LENGTH PER LAP DIMENSIONS ACTUALLY USED FOR POST-TENSIONING EQUIPMENT SUPPLIED BY OTHERS.

SHOP NOTE:
SEE DRAWING 'S4' FOR REINFORCING INFORMATION.

SHOP NOTE:
F_c = 5,000 PSI
F_{ci} = 3,000 PSI
MIX # 445 MBCC (NO DCI)

MARK: MP-DS4		QTY.:	1	WT.:	6.15 T	VOL.:	3.03 cy
MATERIAL LIST / DECK SLAB							
ITEM	MARK	DESCRIPTION					QTY.
1							1
2	MK-MPI	GTI 2 3/8" x 5'-1 1/2" LONG CORRUGATED PT DUCT (SUPPLIED BY OTHERS)					1
3	MK-MP2	GTI 1" x 3" TRANSITION PIECE (BY OTHERS)					1
4	MK-MP3	POST-TENSIONING TRUSSLET (DSI 4 - 0.6" FLAT ANCHOR (GALV.) w/ HARDWARE (SUPPLIED BY OTHERS))					1
5	MK-MP4	DSI POCKET FORMER (SUPPLIED BY OTHERS)					1
6	MK-MP5	3/4" x 6" NPT PIPE NIPPLE (SUPPLIED BY OTHERS)					1
7	MK-MP6	1/2" x 1'-2" LEVELING BOLT (COIL THREAD)					4
8	MK-MP7	1 3/8" O.D. & 1/2" PVC PIPE SLEEVE					4
9	MK-MP8	DAYTON 1" x F-56 EXPANDED COIL INSERT (2-STRUT) (GALV.)					4
10	MK-MP9	4T X SWIFT LIFT LIFTER (GALV.) (DOMESTIC)					4
11	MK-MP10	GTI 2 3/8" x 7'-11 3/16" LONG CORRUGATED PT DUCT (SUPPLIED BY OTHERS)					5
12	MK-MP11	DAYTON #5 X 2'-6" DIA DOWEL BAR SPLICER (S.S.)					4
13	MK-MP12	DAYTON C-24 TYPE 4-APR DECK FORM HANGER (GALV.)					2
14		HEAT SHRINK (SUPPLIED BY OTHERS)					AS REQ'D
15	MP-4015	#4 BENT BAR (STAINLESS STEEL)					4
16	MP-5175	#5 BENT BAR (STAINLESS STEEL)					2
17		#4 X 0'-5" (STAINLESS STEEL)					4

12-15-17 REVISIONS SUBMITTAL #2 COMMENTS
11-2-17 REVISIONS SUBMITTAL #1 COMMENTS

APPROVED: Approval of drawings and/or procedures indicates concurrence with the information presented and does not release the Contractor from his responsibility for meeting all requirements with all specifications and code requirements.

APPROVAL STAMP:

REVISION AND RESUBMIT: NOT REVIEWED

Date: 2/14/18

By:

This system is Stantec's Building Services Inc. It is for the sole purpose of supporting conformance with the general design concept. This review shall not mean that Stantec Consulting Services Inc. approves the detail design inherent in the shop drawings. Responsibility for which shall remain with the Contractor. Submitting same, and such review shall not release the Contractor of his responsibility for errors or omissions in the shop drawing or of his responsibility for meeting all requirements of the Contract Documents. The contractor is responsible for dimensions to be confirmed and correlated at the job site, for information that pertains solely to the fabrication process or to techniques of construction and installation and for coordination of the work of all substrates.

J.P. CARRARA & SONS INC. CCS CONSTRUCTORS, INC.
Precast & Prestress Manufacturer CONTRACTOR
264 GSE STR., WOODBURY, VERMONT 05753 Phone: (802)388-6361 Fax: (802)388-8010 MORRISVILLE, VERMONT

STATE OF VERMONT AGENCY OF TRANSPORTATION DATE: SEPT. 14, 2017
COUNTY OF WASHINGTON SCALE: NOTED

TOWN OF EAST MONTPELIER CHKD: K.P. DFTM: A.S.
VT ROUTE 14, MINOR ARTERIAL
BRIDGE NO.: 68 PROJECT NO.: BRF 037-1 (7) JOB NO: 23515-017

PRECAST CONCRETE DECK SLAB DWG. NO: S4
DETAILS