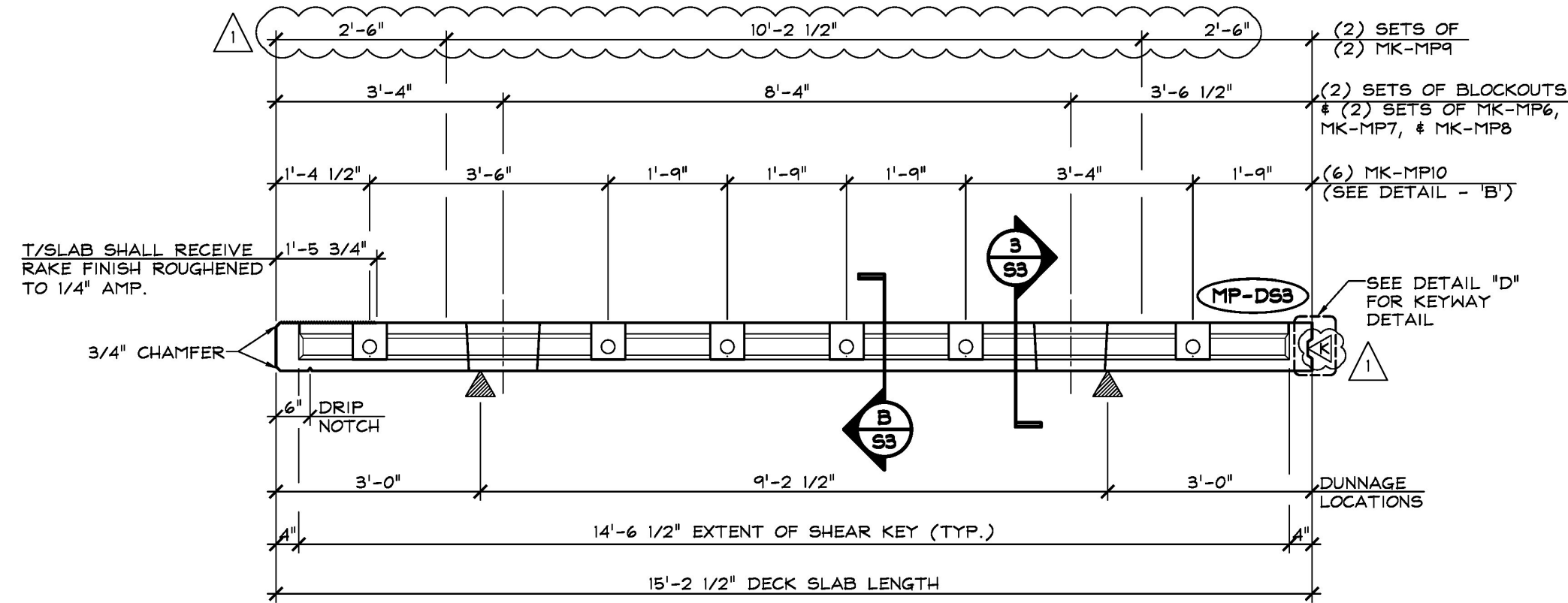
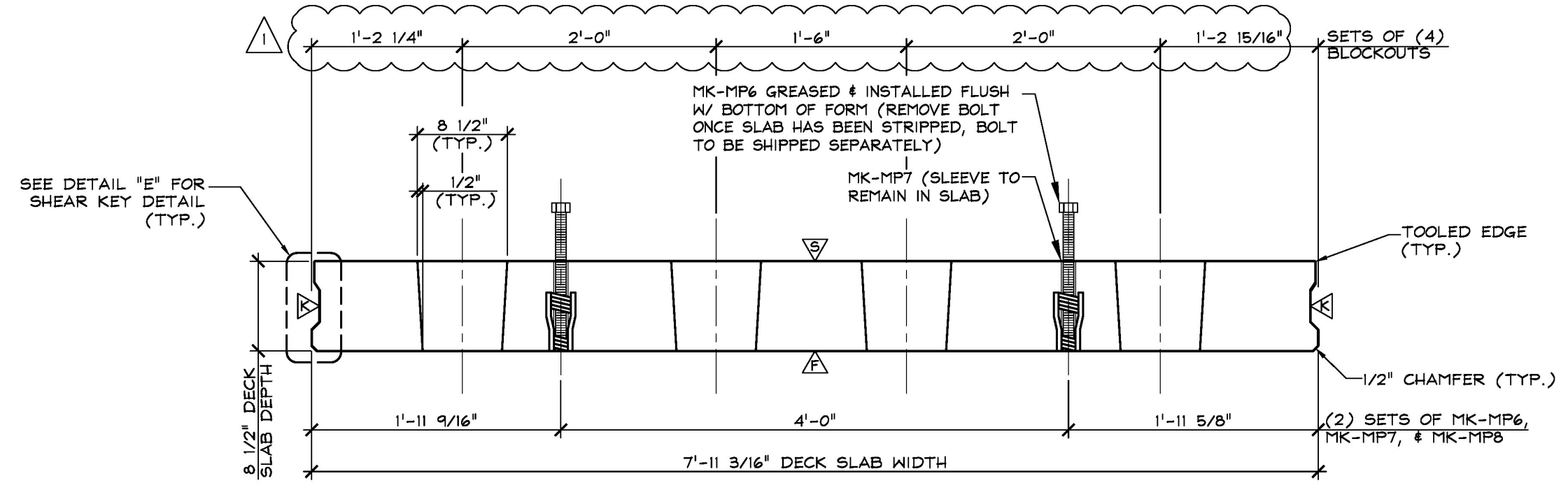


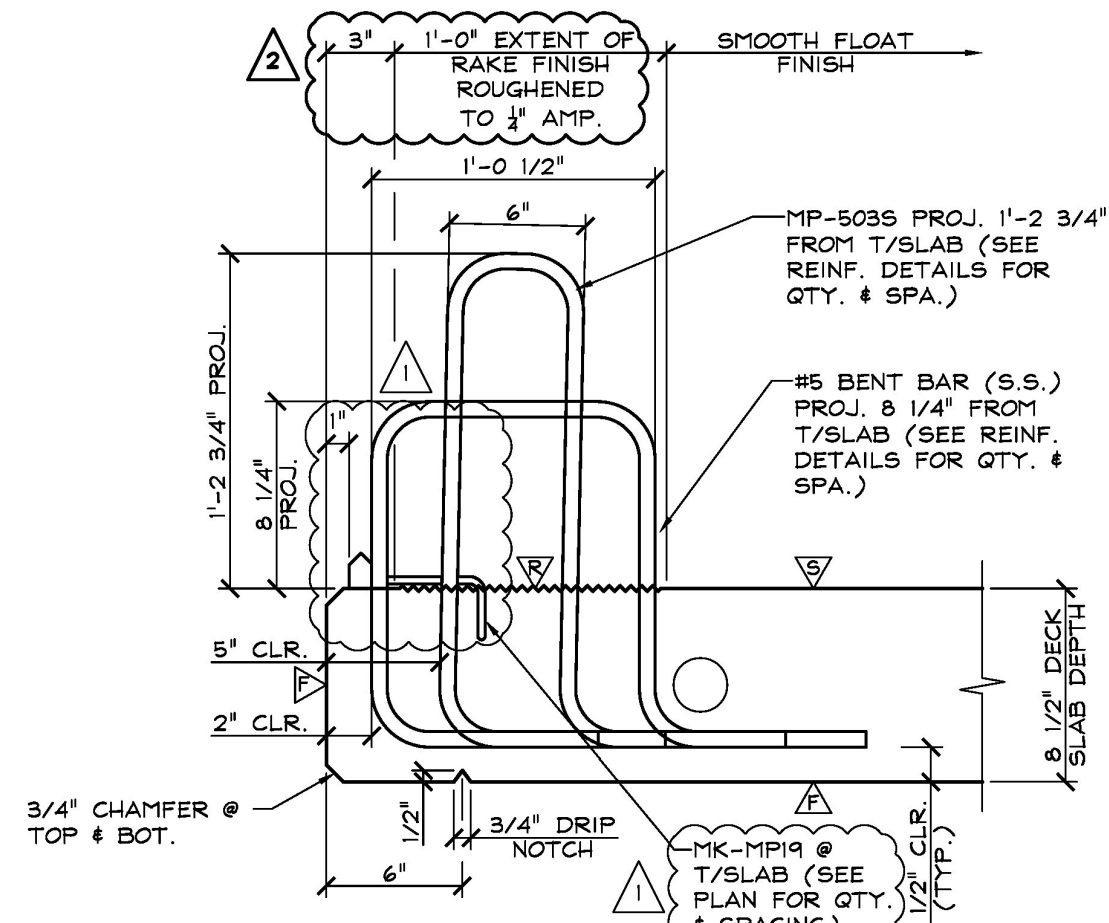
1 DIMENSIONAL PLAN VIEW IN FORM
S3 1/2" = 1'-0"



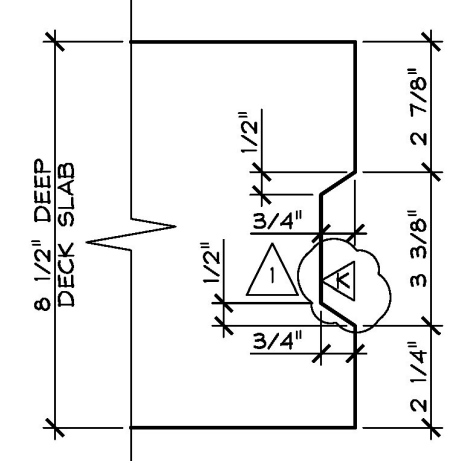
2 DIMENSIONAL ELEVATION
S3 1/2" = 1'-0"



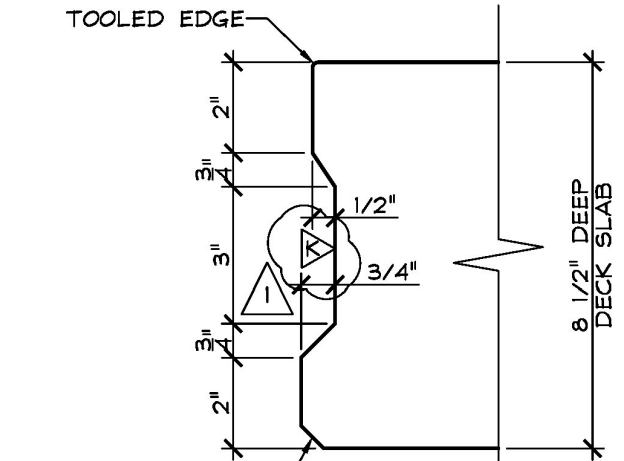
3 DIMENSIONAL SECTION
S3 1" = 1'-0"



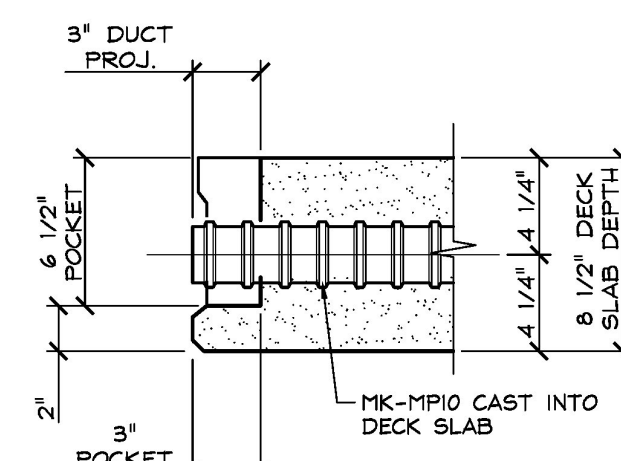
A SECTION - "A"
S3 1 1/2" = 1'-0"



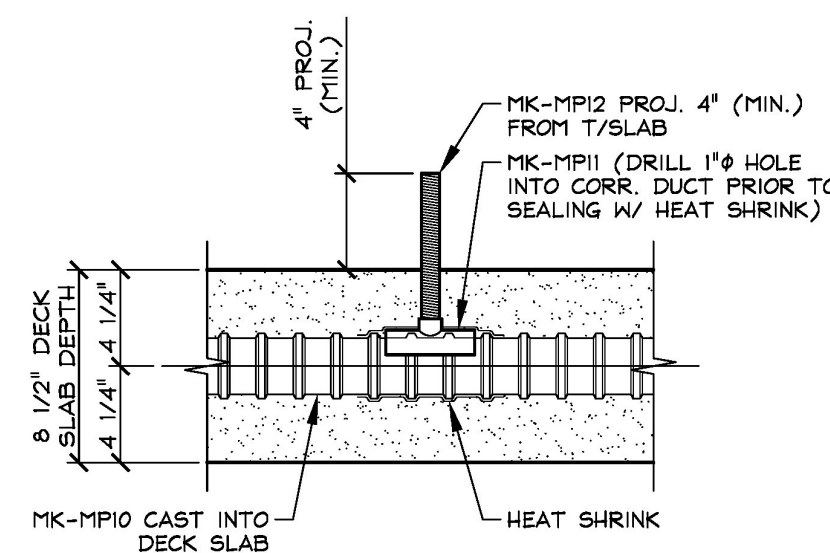
D DETAIL - "D"
S3 3" = 1'-0"



E DETAIL - "E"
S3 3" = 1'-0"



B SECTION - "B"
S3 1 1/2" = 1'-0"



C SECTION - "C"
S3 1 1/2" = 1'-0"

SHOP NOTE:
F_c = 5,000 PSI
F_t = 3,000 PSI
MIX # 445 M5CC (NO DCI)

- △ DENOTES FORM FINISH
- △ DENOTES SMOOTH FLOAT FINISH
- △ DENOTES ROUGHENED FINISH (SEE GENERAL NOTE #5, SHEET 'F')
- △ DENOTES RAKE FINISH ROUGHENED TO 1/4" AMPLITUDE

SHOP NOTE:
SEE DRAWING 'S3.1' FOR REINFORCING INFORMATION

MARK: MP-DS3	QTY.: 3	WT.: 6.15 T	VOL.: 3.03 cy
MATERIAL LIST / DECK SLAB			
ITEM	MARK	DESCRIPTION	QTY.
1			
2	MK-MP6	1 1/2" X 1'-2" LEVELING BOLT (COIL THREAD)	4
3	MK-MP7	1 3/8" O.D. 6 1/2" PVC PIPE SLEEVE	4
4	MK-MP8	DAYTON 1" φ F-56 EXPANDED COIL INSERT (2-STRUT) (GALV.)	4
5	MK-MP9	4T X SWIFT LIFT LIFTER (GALV.) (DOMESTIC)	4
6	MK-MPI0	GTI 2 3/8" φ X 7'-11 3/16" LONG CORRUGATED PT. DUCT (SUPPLIED BY OTHERS)	6
7	MK-MPI1	GTI 2 3/8" φ GROUT SADDLE (SUPPLIED BY OTHERS)	6
8	MK-MPI2	21 mm X 8" GTI GROUT TUBE (SUPPLIED BY OTHERS)	6
9	MK-MPI9	DAYTON C-24 TYPE 4-APR DECK FORM HANGER (GALV.)	2
10		HEAT SHRINK (SUPPLIED BY OTHERS)	AS REQ'D

12-15-17 REVISIONS SUBMITTAL #2 COMMENTS

11-2-17 REVISIONS SUBMITTAL #1 COMMENTS

APPROVED: Approval drawings and/or proceed indicates concurrence with the information presented and does not relieve the Contractor or Fabricator of compliance with all specifications and code requirements.

APPROVED AS NOTED:

REVISE AND RESUBMIT:

NOT REVIEWED:

Date: 2/14/18

By: *[Signature]*

This review by Stantec Consulting Services Inc. is for the sole purpose of ascertaining conformance with the general design concept. This review shall not mean that Stantec is responsible for the design or construction of the project. The Contractor shall retain responsibility for which shall remain with the Contractor. Submitting same, and such review shall not relieve the Contractor of his responsibility for errors or omissions in the shop drawing or of his responsibility for meeting all requirements of the Contract Documents. The contractor is responsible for dimensions to be confirmed and correlated at the job site, for information that pertains solely to the fabrication processes or to techniques of construction and installation and for coordination of the work of all subcontractors.

APPROVAL STAMP:

J.P. CARRARA & SONS INC.
Precast & Prestress Manufacturer
2644 GISE STR., WOODBURY, VERMONT 05753 Phone: (802)388-6361 Fax: (802)388-8010

CCS CONSTRUCTORS, INC.
CONTRACTOR
MORRISVILLE, VERMONT

STATE OF VERMONT AGENCY OF TRANSPORTATION
COUNTY OF WASHINGTON

DATE: SEPT. 14, 2017
SCALE: NOTED

TOWN OF EAST MONTPELIER
VT ROUTE 14, MINOR ARTERIAL
BRIDGE NO.: 68 PROJECT NO.: BRF 037-1 (7)

CHKD: K.P. DFTM: A.S.
JOB NO: 28515-017

PRECAST CONCRETE DECK SLAB
DETAILS

DWG. NO: **S3**