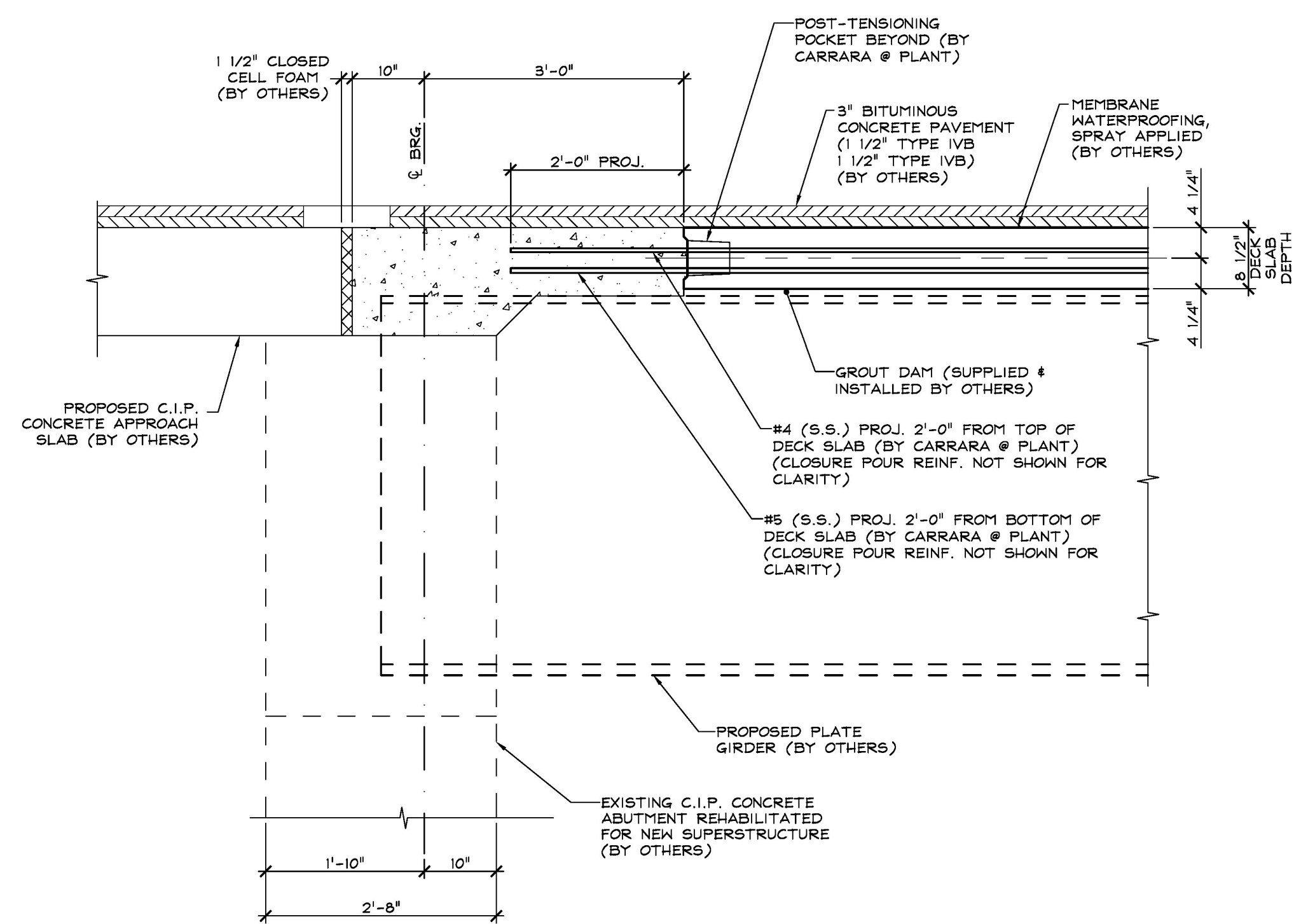
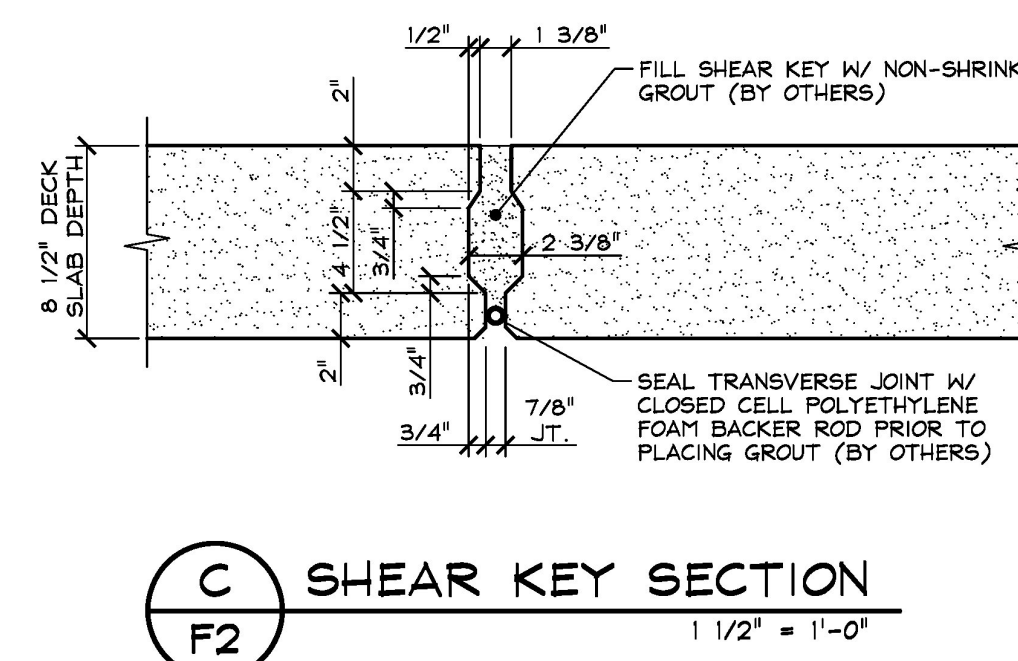


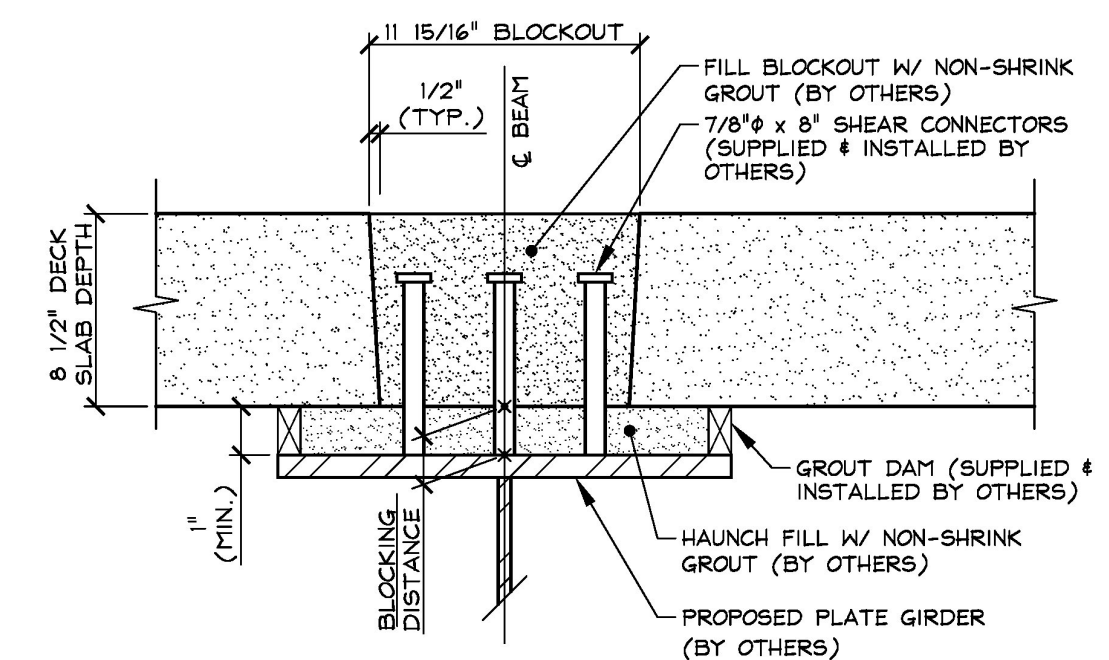
A END CLOSURE POUR SECTION ABUT. 1
F2 3/4" = 1'-0"



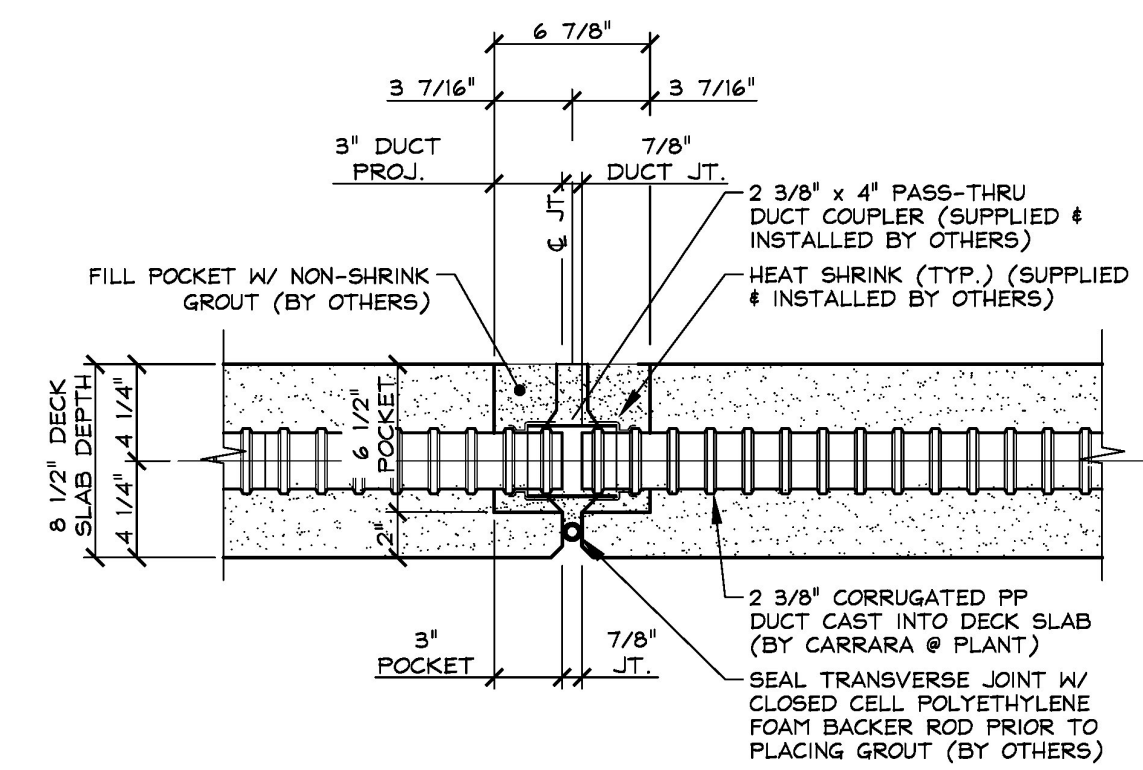
B END CLOSURE POUR SECTION ABUT. 2
F2 3/4" = 1'-0"



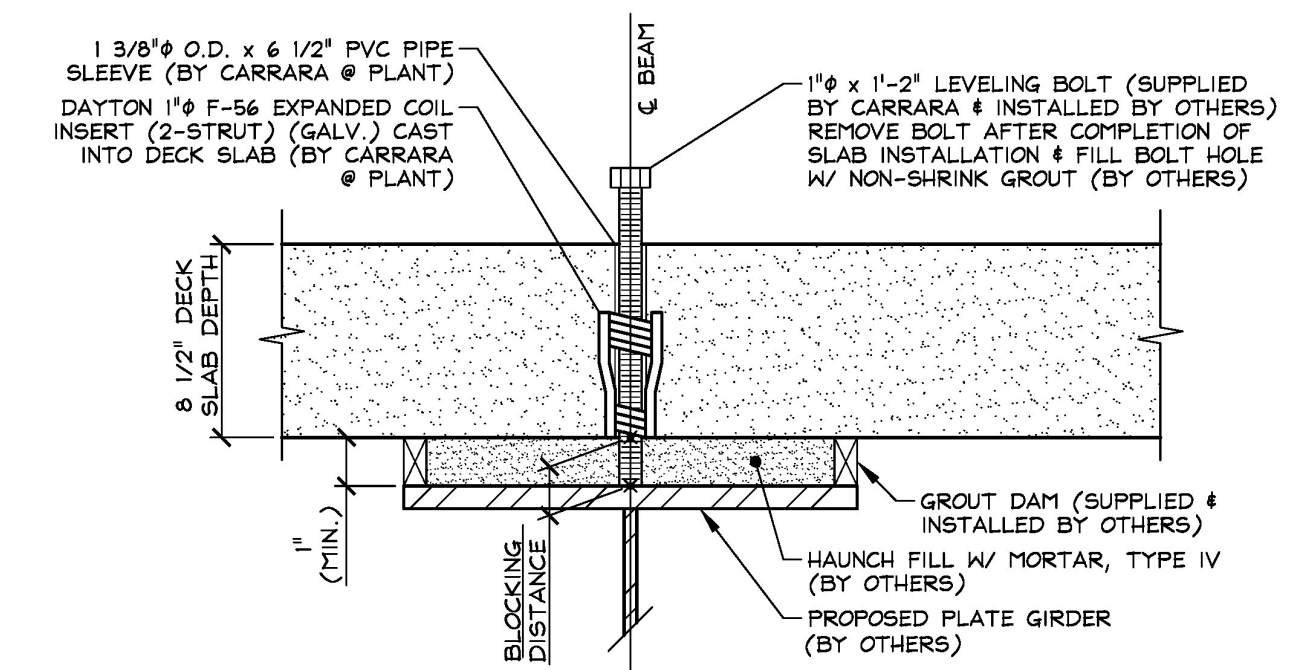
C SHEAR KEY SECTION
F2 1 1/2" = 1'-0"



D SHEAR KEY SECTION
F2 1 1/2" = 1'-0"



C.1 BLOCKOUT POST-TENSIONING DUCT SECTION
F2 1 1/2" = 1'-0"



D.1 LEVELING DEVICE SECTION
F2 1 1/2" = 1'-0"

| | |
|---|----------|
| APPROVED: Approval of drawings and/or procedures indicates concurrence with the information presented and does not relieve the Contractor or Fabricator of compliance with all specifications and code requirements. | X |
| APPROVED AS NOTED | |
| REVISE AND RESUBMIT | |
| NOT REVIEWED | |
| Date: 2/14/18 | |
| By: <i>John E. Kirk</i> | |
| <small>This review by Stantec Consulting Services Inc. is for the sole purpose of ascertaining conformance with the general design concept. This review shall not mean that Stantec Consulting Services Inc. approves the detail design inherent in the shop drawings, responsibility for which shall remain with the Contractor. Submitting same, and such review shall not relieve the Contractor of his responsibility for errors or omissions in the shop drawing or of his responsibility for meeting all requirements of the Contract Documents. The contractor is responsible for dimensions to be confirmed and correlated at the job site, for information that pertains solely to the fabrication processes or to techniques of construction and installation and for coordination of the work of all substrates.</small> | |



| | | |
|-----------------|--|--|
| APPROVAL STAMP: | J.P. CARRARA & SONS INC. Precast & Prestress Manufacturer 2644 GISE STR., WOODBURY, VERMONT 05753 Phone: (802)388-6361 Fax: (802)388-9010 | CCS CONSTRUCTORS, INC. CONTRACTOR MORRISVILLE, VERMONT |
| | STATE OF VERMONT AGENCY OF TRANSPORTATION COUNTY OF WASHINGTON | DATE: SEPT. 14, 2017 SCALE: NOTED |
| | TOWN OF EAST MONTPELIER VT ROUTE 14, MINOR ARTERIAL BRIDGE NO.: 68 PROJECT NO.: BRF 037-1 (7) | CHKD: K.P. DFTM: A.S. JOB NO: 23515-017 |
| | PRECAST CONCRETE DECK DETAILS | DWG. NO: F2 |