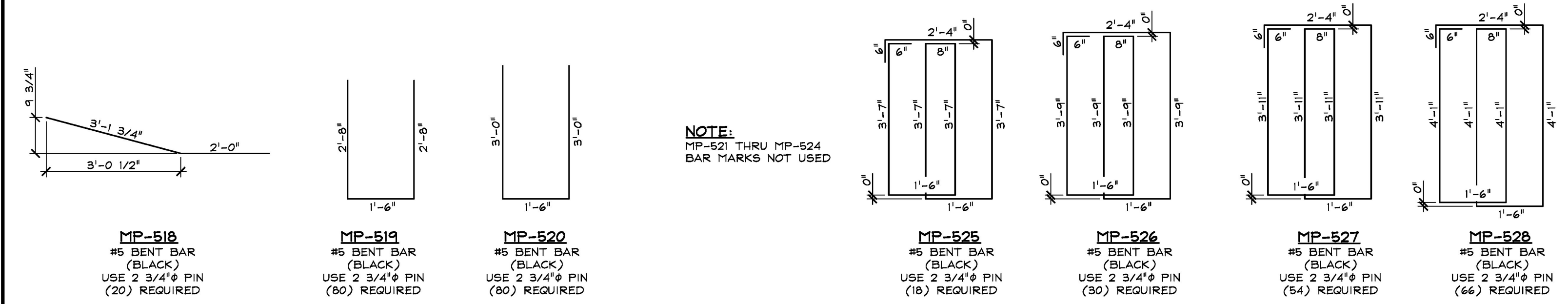
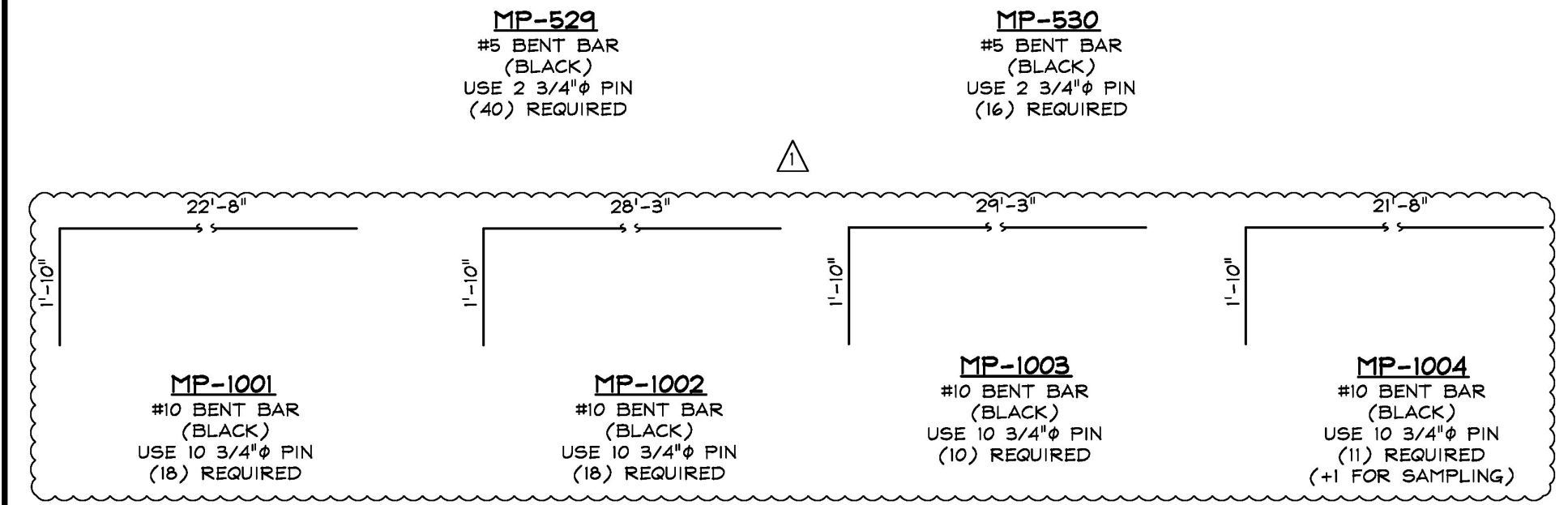
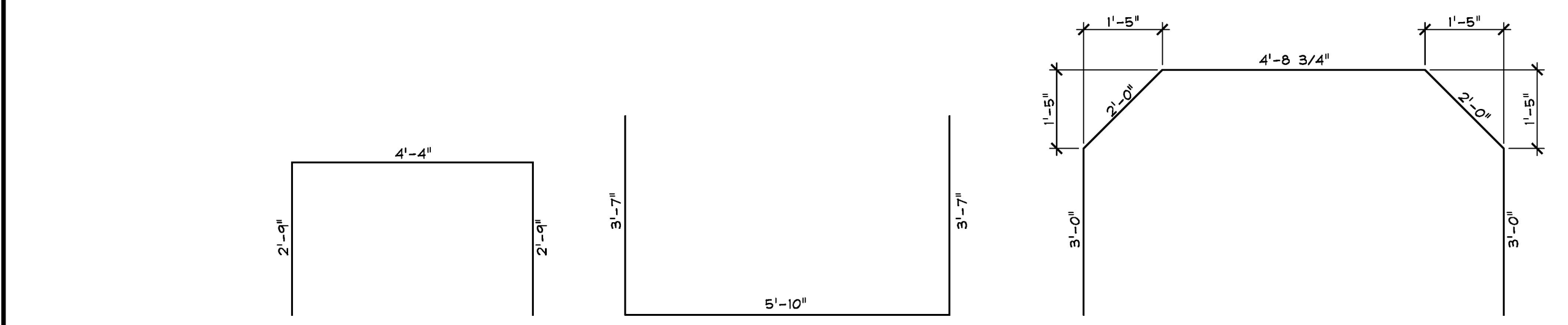


PRECAST DECK SLABS

1" = 1'-0"



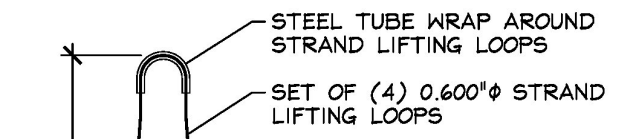
NOTE:
MP-521 THRU MP-524
BAR MARKS NOT USED



PRECAST PIER CAPS

1/2" = 1'-0"

Vermont Agency of Transportation
RECEIVED
OK'D BY Stantec OK'D BY Tom Knight
October 13, 2017
RESUBMIT No Approved
BY Carolyn W. Carlson DATE 10/24/2017



M K - M P 1 8
N.T.S.

| MISCELLANEOUS MATERIALS | | | | REMARKS |
|-------------------------|---------|----------|---|----------------------|
| ITEM | MARK | QTY. | DESCRIPTION | REMARKS |
| 1 | MK-MPI | 40 | GTI 2 3/8" X 5'-0" 3/4" LONG CORRUGATED PT DUCT | (SUPPLIED BY OTHERS) |
| 2 | MK-MP2 | 40 | GTI 1" X 3" TRANSITION PIECE | (SUPPLIED BY OTHERS) |
| 3 | MK-MP3 | 40 | POST-TENSIONING TRUMPET (DSI 4 - 0.6" FLAT ANCHOR (GALV.) W/ HARDWARE | (SUPPLIED BY OTHERS) |
| 4 | MK-MP4 | 40 | DSI POCKET FORMER | (SUPPLIED BY OTHERS) |
| 5 | MK-MP5 | 40 | 3/4" X 6" NPT PIPE NIPPLE | (SUPPLIED BY OTHERS) |
| 6 | MK-MP6 | 264 | 1" X 1'-2" LEVELING BOT (COIL THREAD) | |
| 7 | MK-MP7 | 264 | 1 3/8" O.D. 5 1/2" PVC PIPE SLEEVE | |
| 8 | MK-MP8 | 264 | DAYTON 1" F-56 EXPANDED COIL INSERT (2-STRUT) (GALV.) | |
| 9 | MK-MP9 | 176 | 4T X 5 3/4" SWIFT LIFT LIFTER (GALV.) (DOMESTIC) | |
| 10 | MK-MP10 | 400 | GTI 2 3/8" X 7'-11 3/16" LONG CORRUGATED PT DUCT | (SUPPLIED BY OTHERS) |
| 11 | MK-MP11 | 60 | GTI 2 3/8" GROUT SADDLE | (SUPPLIED BY OTHERS) |
| 12 | MK-MP12 | 60 | 21 mm X 8" GTI GROUT TUBE | (SUPPLIED BY OTHERS) |
| 13 | MK-MP13 | 7 | DAYTON #5 X 2'-6" D10A DOWEL BAR SPLICER (S.S.) | +3 FOR SAMPLING |
| 14 | | AS REQ'D | HEAT SHRINK | (SUPPLIED BY OTHERS) |
| 15 | | | | |
| 16 | EM-MPI | 7 | DAYTON #5 X 2'-6" D10 DOWEL-IN (S.S.) | +3 FOR SAMPLING |
| 17 | | | | |
| 18 | | 160 | #4 X 0'-5" (STAINLESS STEEL) | |
| 19 | | 396 | #4 X 0'-11 1/2" (STAINLESS STEEL) | |
| 20 | | 42 | #4 X 4'-0" (STAINLESS STEEL) | |
| 21 | | 62 | #4 X 6'-2" (STAINLESS STEEL) | |
| 22 | | 400 | #4 X 7'-1" (STAINLESS STEEL) | |
| 23 | | 528 | #4 X 7'-7" (STAINLESS STEEL) | |
| 24 | | 39 | #4 X 9'-9" (STAINLESS STEEL) | +1 FOR SAMPLING |
| 25 | | | | |
| 26 | | 396 | #5 X 0'-11 1/2" (STAINLESS STEEL) | |
| 27 | | 240 | #5 X 2'-6" (STAINLESS STEEL) | |
| 28 | | 46 | #5 X 4'-6" (STAINLESS STEEL) | |
| 29 | | 440 | #5 X 7'-0" (STAINLESS STEEL) | |
| 30 | | 468 | #5 X 7'-1" (STAINLESS STEEL) | |
| 31 | | 1060 | #5 X 7'-7" (STAINLESS STEEL) | |
| 32 | | 71 | #5 X 9'-9" (STAINLESS STEEL) | +1 FOR SAMPLING |
| 33 | | | | |
| 34 | | 91 | #6 X 3'-10 1/2" (STAINLESS STEEL) | +3 FOR SAMPLING |
| 35 | | 176 | #6 X 4'-6 1/2" (STAINLESS STEEL) | |
| 36 | | 24 | #6 X 5'-0" (STAINLESS STEEL) | |
| 37 | | 440 | #6 X 7'-0" (STAINLESS STEEL) | |
| 38 | | | | |
| 39 | | | | |
| 40 | | | | |
| 41 | MK-MPI4 | 48 | 4" GALV. SLEEVE X 2'-0" LONG | |
| 42 | MK-MPI5 | 32 | 6" HDPE CORRUGATED SLEEVE X 4'-9 1/8" LONG | |
| 43 | MK-MPI6 | 16 | 6" HDPE CORRUGATED SLEEVE X 4'-5 1/16" LONG | |
| 44 | MK-MPI7 | 16 | 6" HDPE CORRUGATED SLEEVE X 4'-5 3/16" LONG | |
| 45 | MK-MPI8 | 8 | SET OF (4) 0.600" STRAND LIFTING LOOPS X 5'-3" LONG | |
| 46 | | | | |
| 47 | | 5 | #4 X 30'-10" (BLACK) | +1 FOR SAMPLING |
| 48 | | 16 | #4 X 45'-1" (BLACK) | |
| 49 | | 27 | #5 X 3'-9" (BLACK) | +3 FOR SAMPLING |
| 50 | | 24 | #5 X 4'-1" (BLACK) | |
| 51 | | 21 | #10 X 30'-10" (BLACK) | |
| 52 | | | | |
| 53 | | | | |
| 54 | | | | |
| 55 | | | | |

DECK SLABS

PIER CAPS

| | | |
|-----------------|---|--|
| APPROVAL STAMP: | J.P. CARRARA & SONS INC. Precast & Prestress Manufacturer 2644 GISE STR., MIDDLEBURY, VERMONT 05753 Phone: (802)388-6361 Fax: (802)388-8010 | CCS CONSTRUCTORS, INC. CONTRACTOR MORRISVILLE, VERMONT |
| | STATE OF VERMONT AGENCY OF TRANSPORTATION COUNTY OF WASHINGTON | DATE: SEPT. 14, 2017 SCALE: NOTED |
| | TOWN OF EAST MONTPELIER VT ROUTE 14, MINOR ARTERIAL BRIDGE NO.: 68 PROJECT NO.: BRF 037-1 (7) | CHKD: K.P. DFTM: A.S. JOB NO: 23515-017 |
| | MATERIALS SHEET | DWG. NO: M1 |