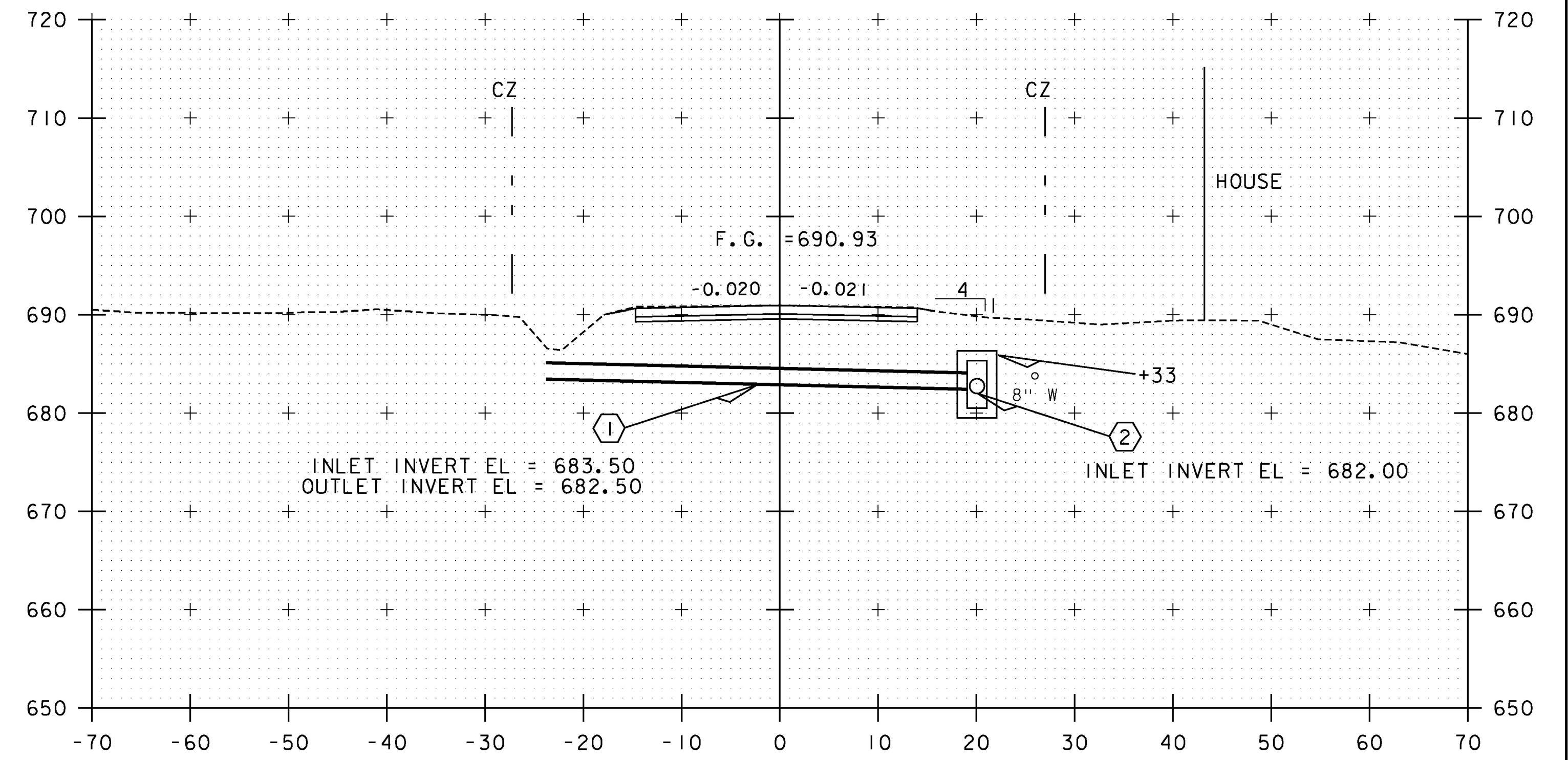
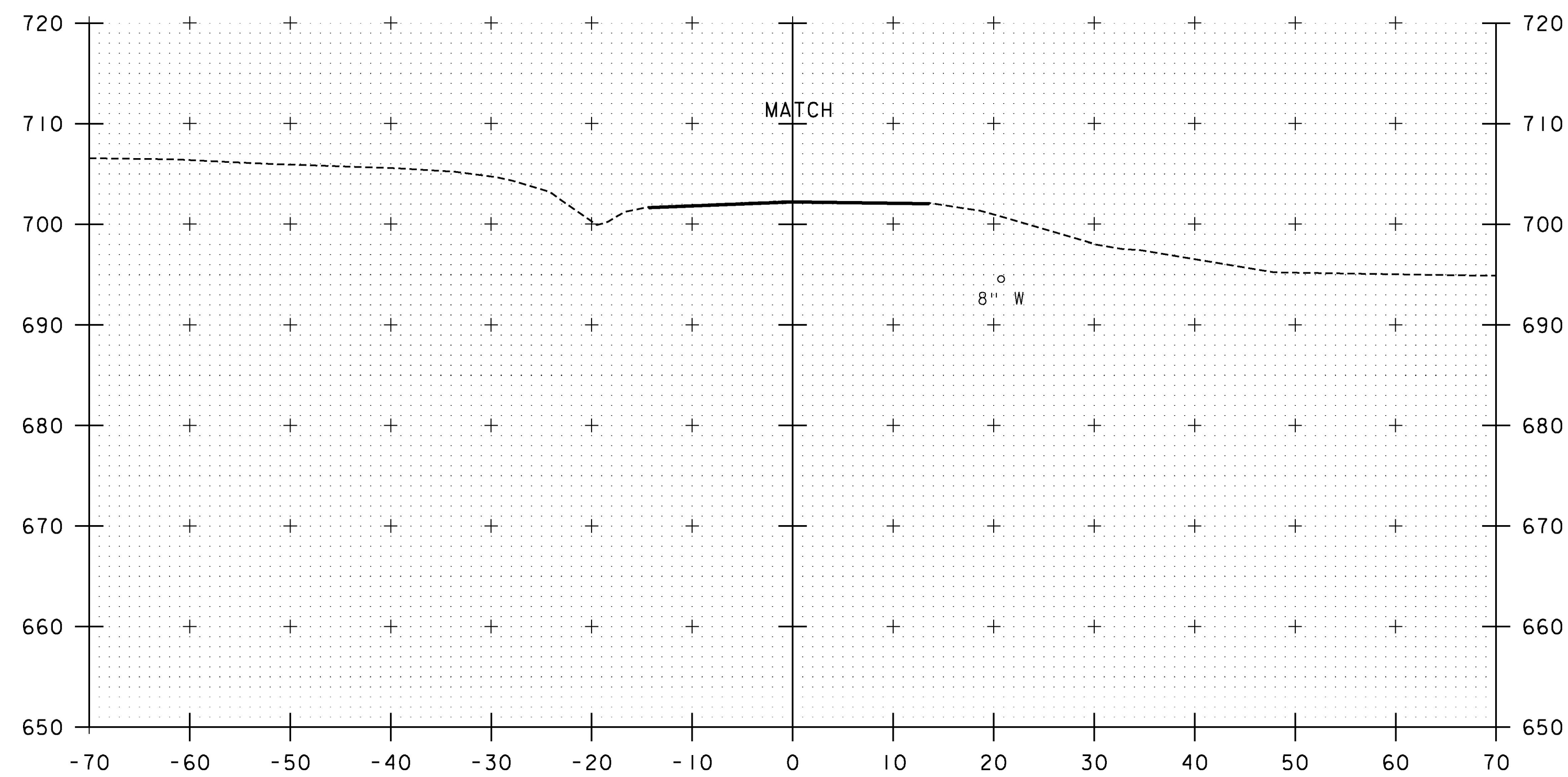


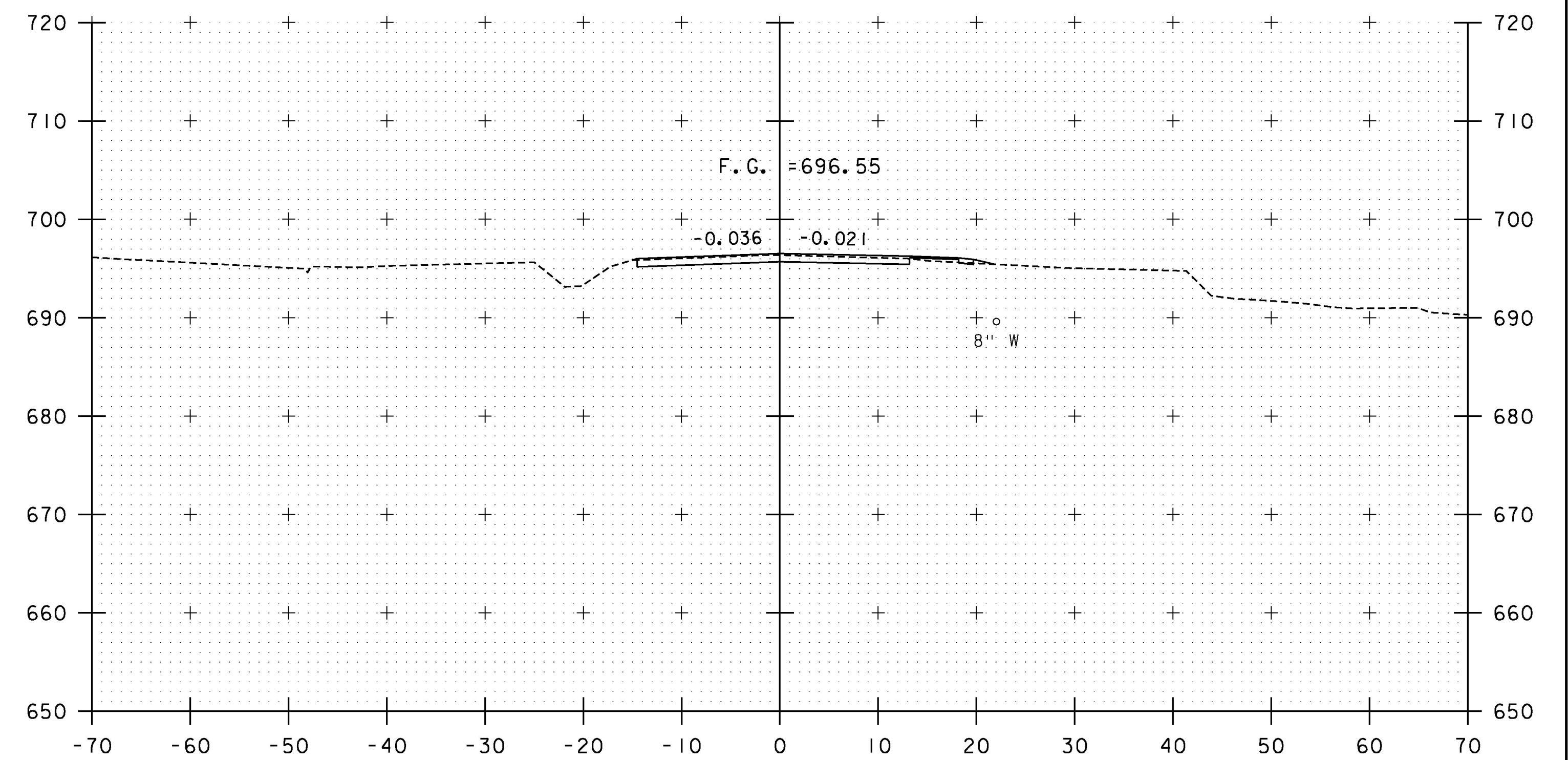
123+39
(DRIVE RIGHT)



124+00

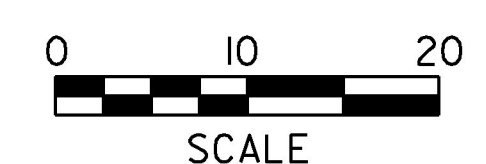


123+00
BEGIN APPROACH



123+50

PROJECT NAME:	EAST MONTPELIER
PROJECT NUMBER:	BRF 037-I(7)
FILE NAME:	32_Cross Sections.dgn
PROJECT LEADER:	T. KNIGHT
DESIGNED BY:	C. GENDRON
VT RTE 14 CROSS SECTIONS VXS-1	
PLOT DATE:	2/17/2017
DRAWN BY:	C. GENDRON
CHECKED BY:	K. RICHARDSON
SHEET	109 OF 158



STA. 123+00 TO STA. 124+00