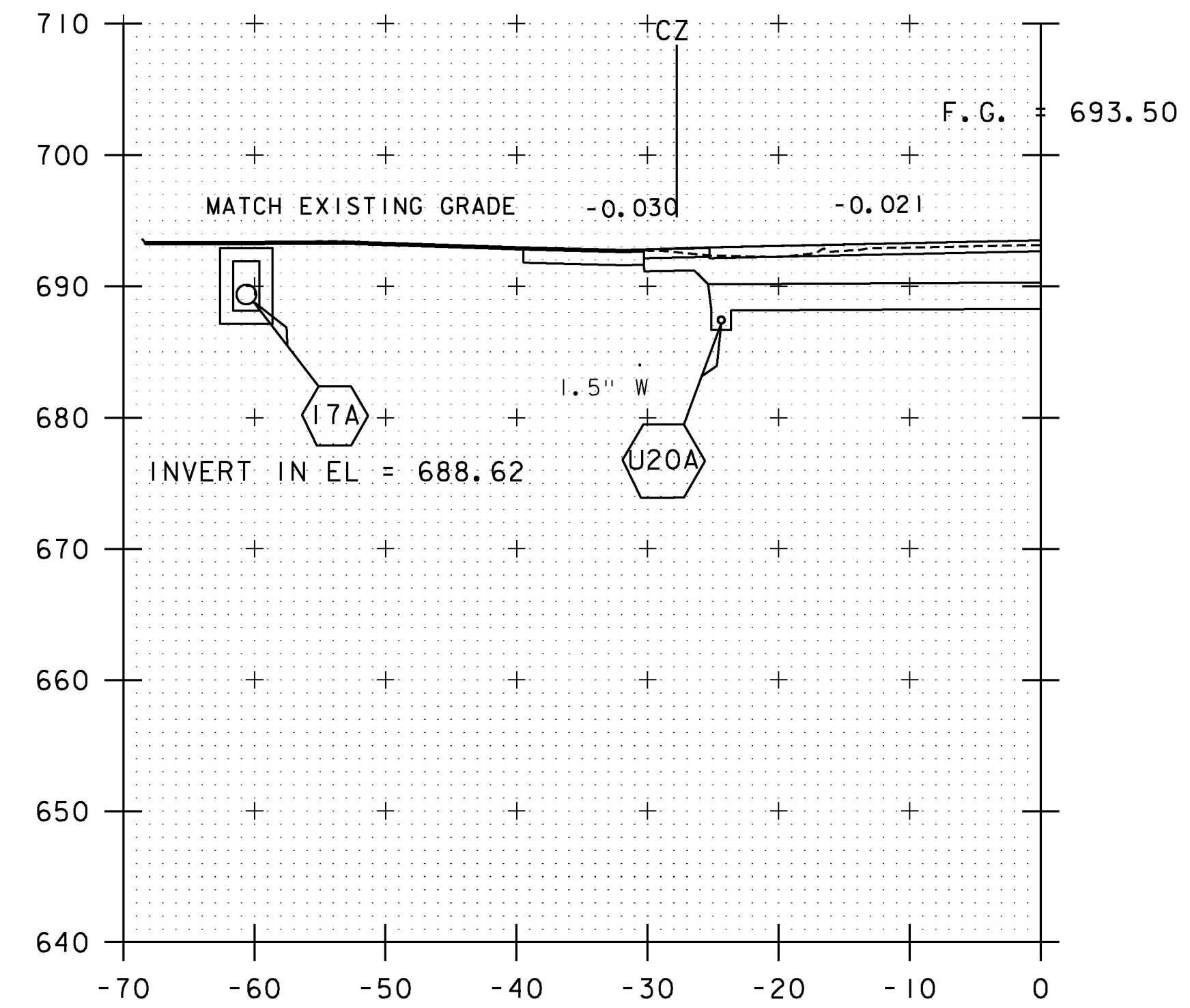
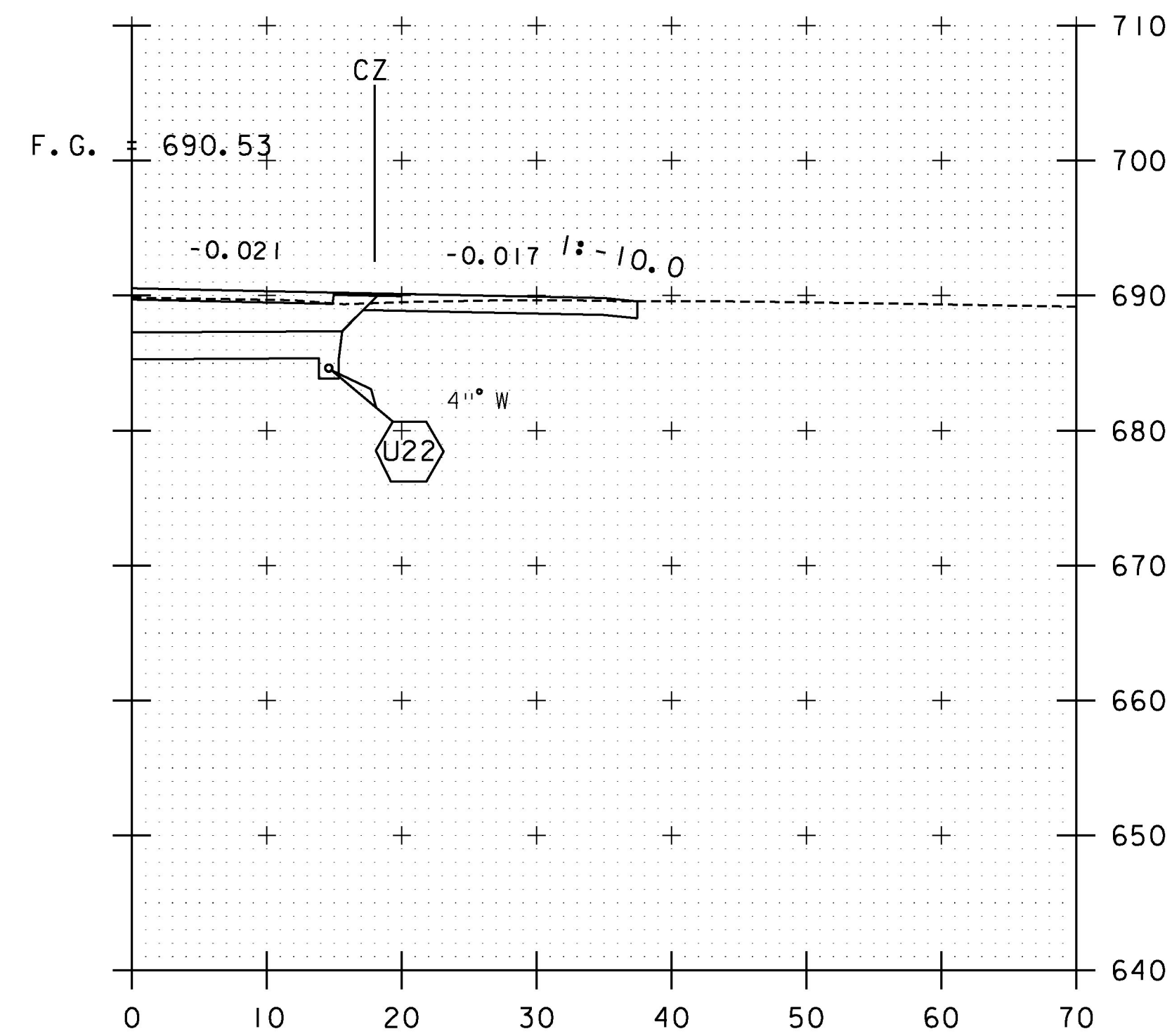


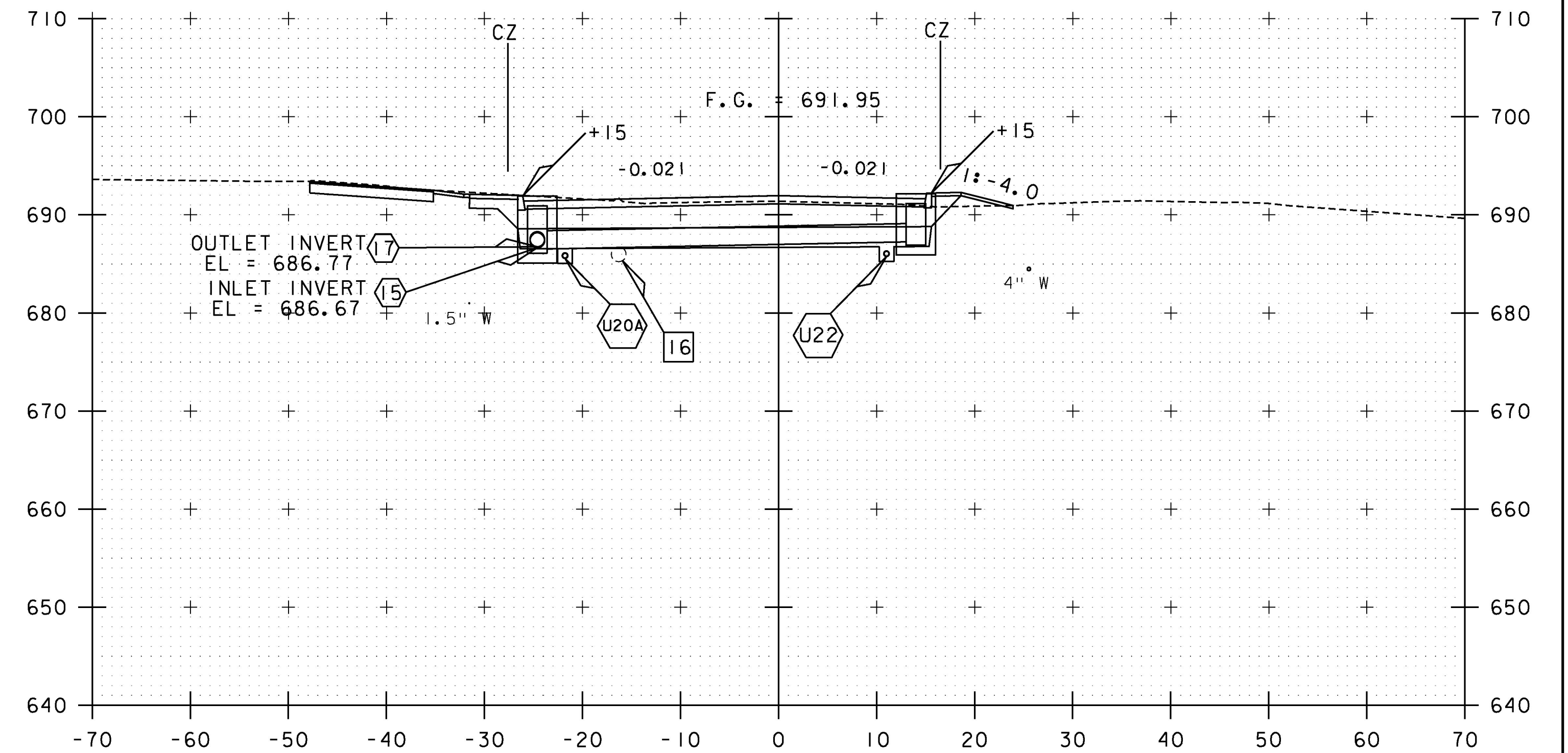
146+83
(DRIVE LEFT)



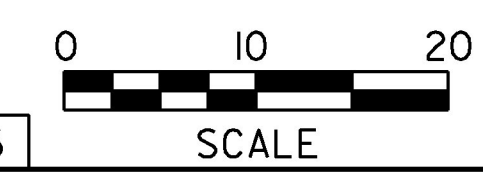
147+46
(DRIVE LEFT)



146+70
(DRIVE RIGHT)



147+00



STA. 146+70 TO STA. 147+46

PROJECT NAME:	EAST MONTPELIER	PLOT DATE:	2/17/2017
PROJECT NUMBER:	BRF 037-1(7)	DRAWN BY:	C. GENDRON
FILE NAME:	32_Cross Sections.dgn	CHECKED BY:	K. RICHARDSON
PROJECT LEADER:	T. KNIGHT	DESIGNED BY:	C. GENDRON
US 2 CROSS SECTIONS UXS-5			SHEET 106 OF 158