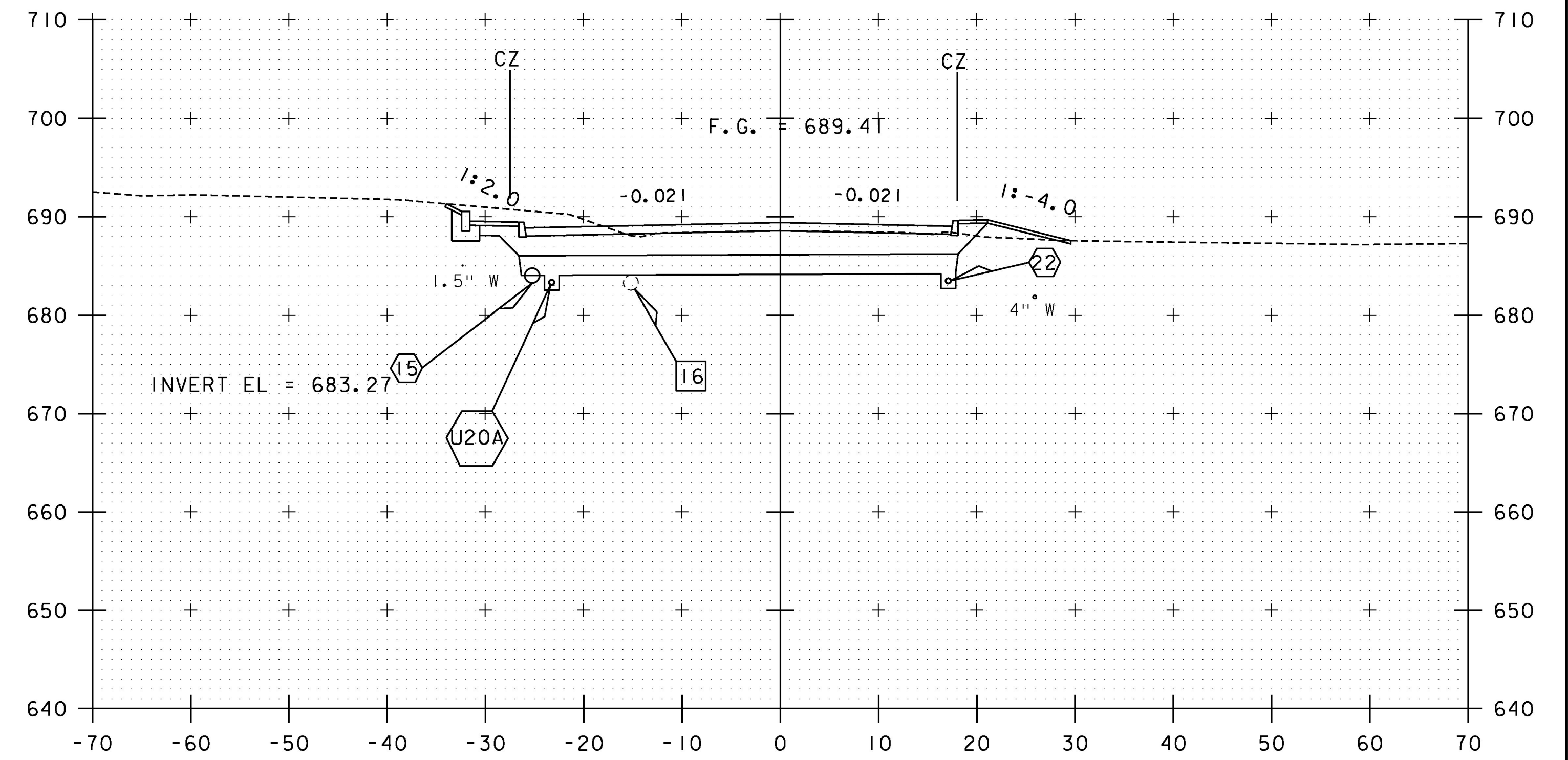
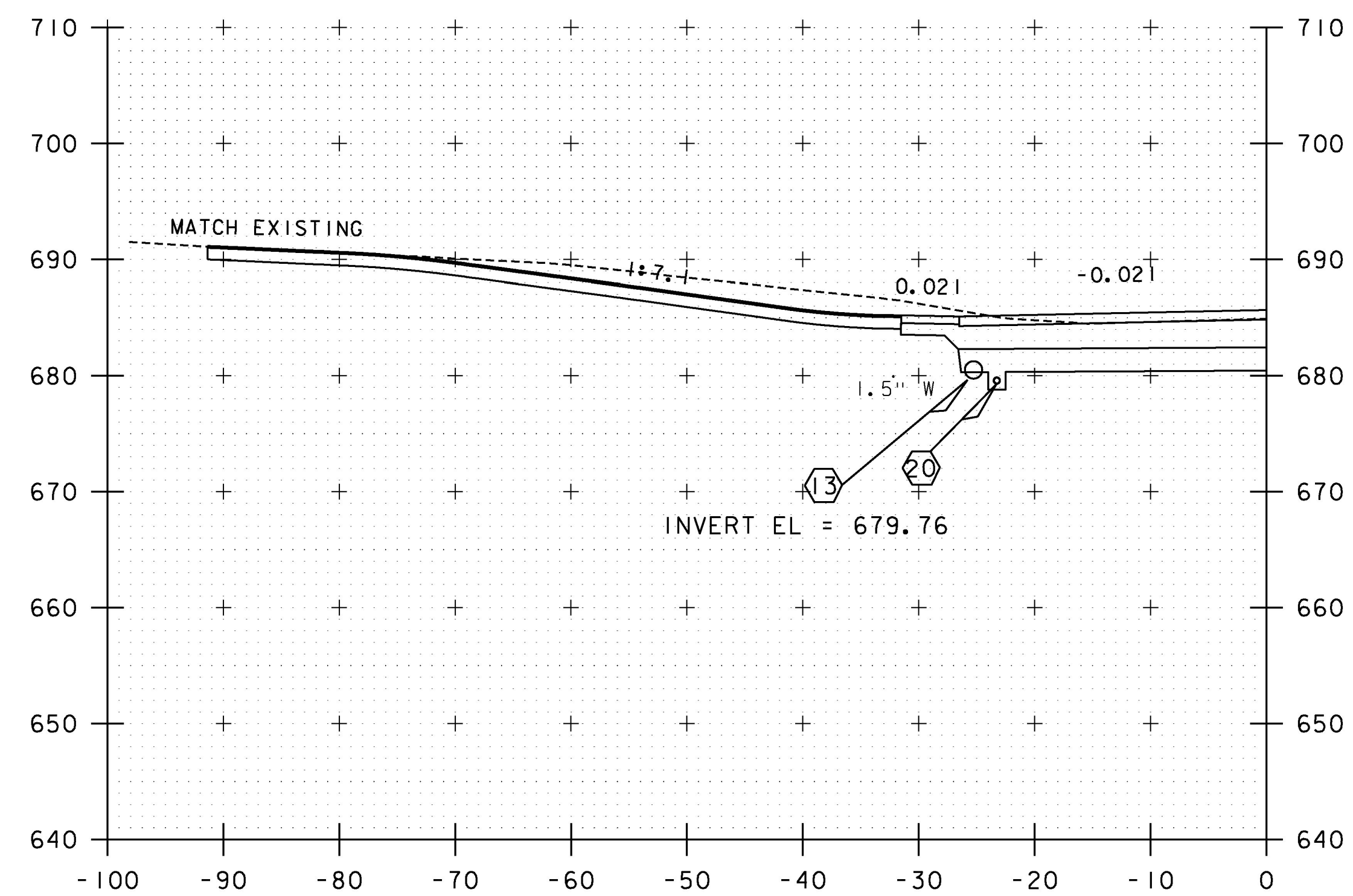


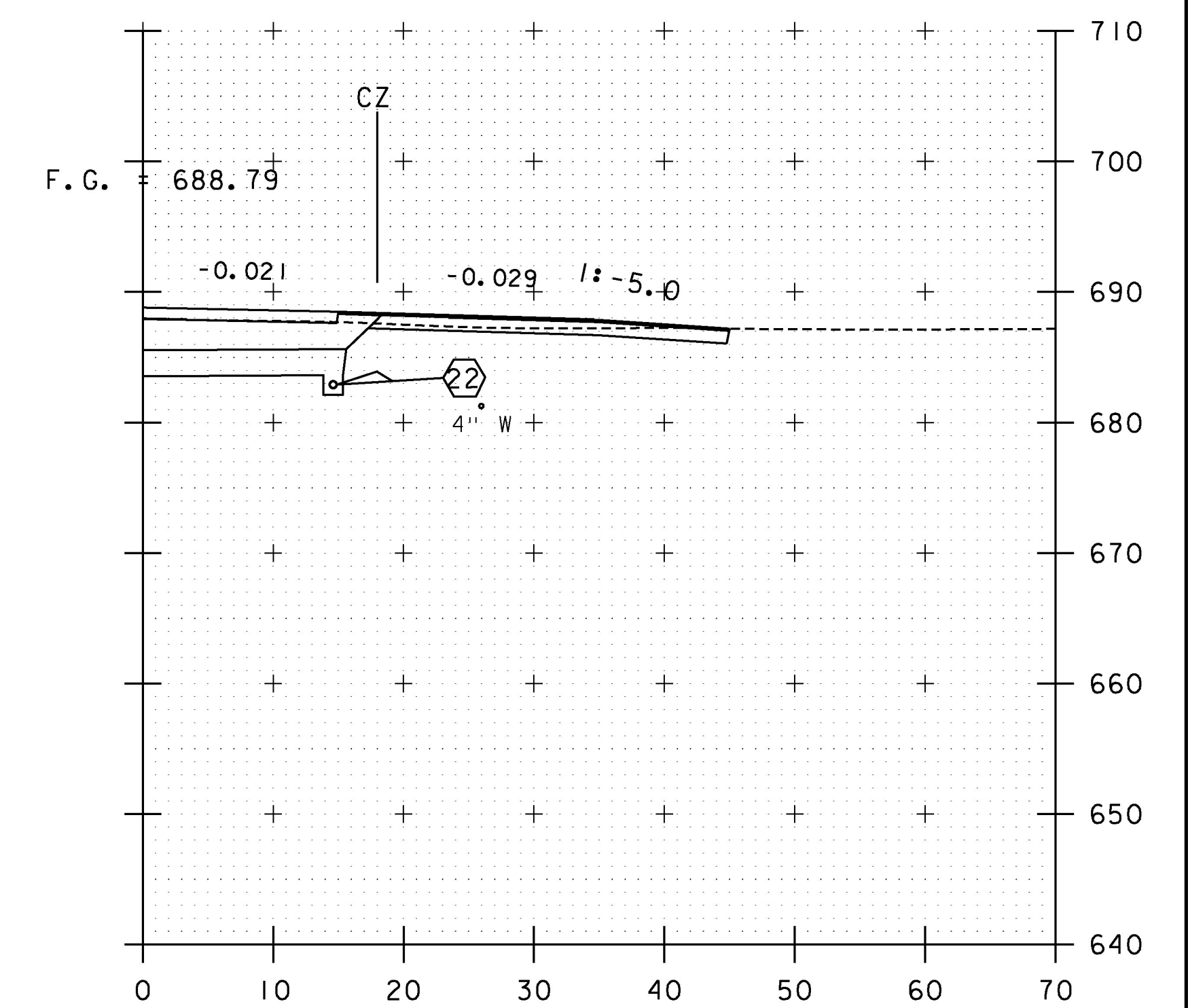
146+00



146+50

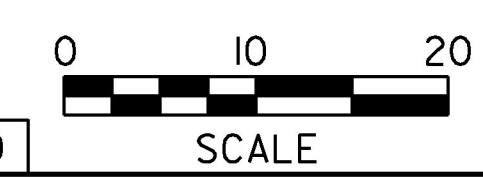


145+96  
(DRIVE LEFT)



146+40  
(DRIVE RIGHT)

STA. 146+00 TO STA. 146+50



PROJECT NAME:	EAST MONTPELIER	PLOT DATE:	2/17/2017
PROJECT NUMBER:	BRF 037-1(7)	DRAWN BY:	C. GENDRON
FILE NAME:	32_Cross Sections.dgn	CHECKED BY:	K. RICHARDSON
PROJECT LEADER:	T. KNIGHT	SHEET	105 OF 158
DESIGNED BY:	C. GENDRON	US 2 CROSS SECTIONS UXS-4	