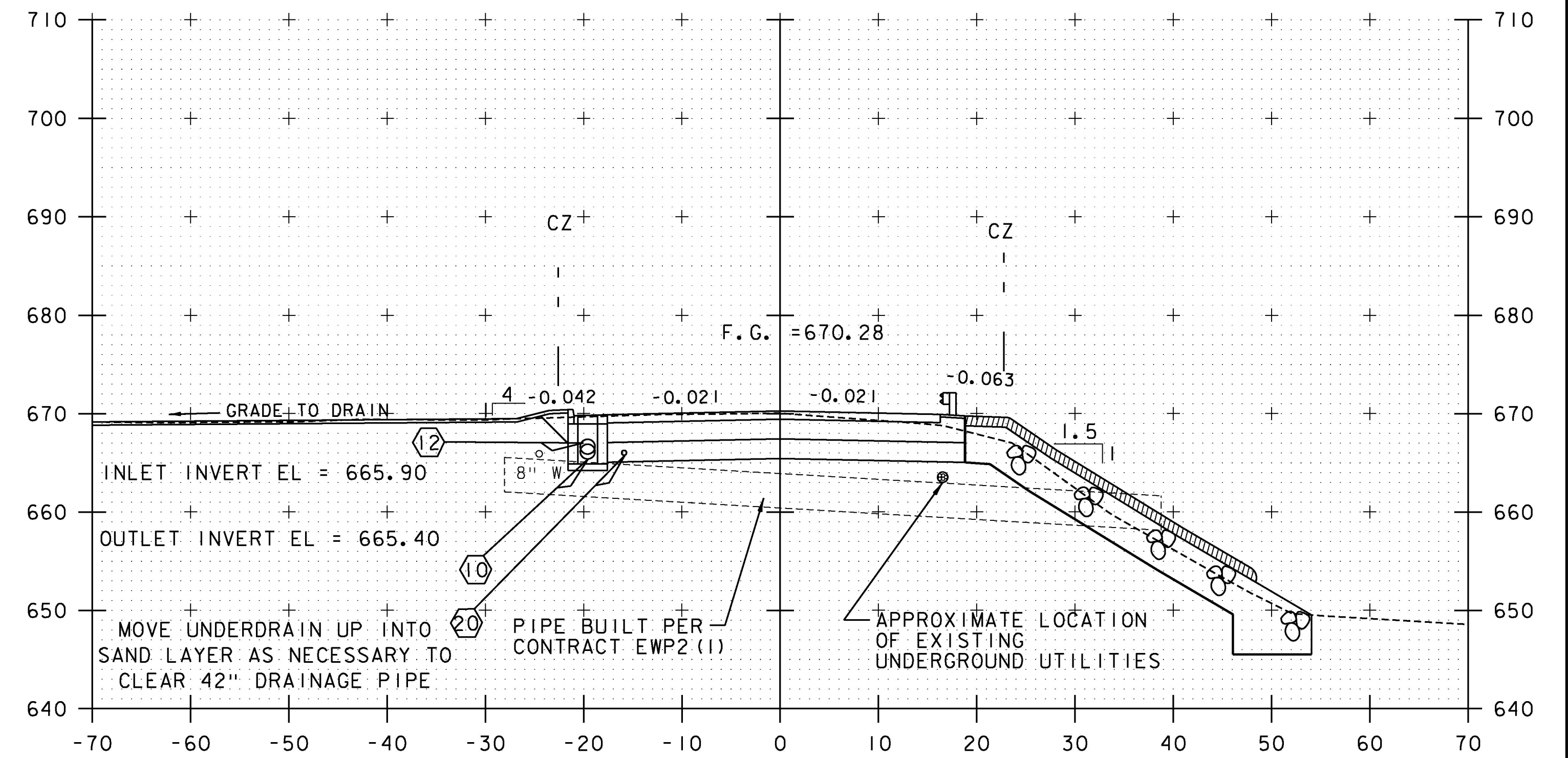
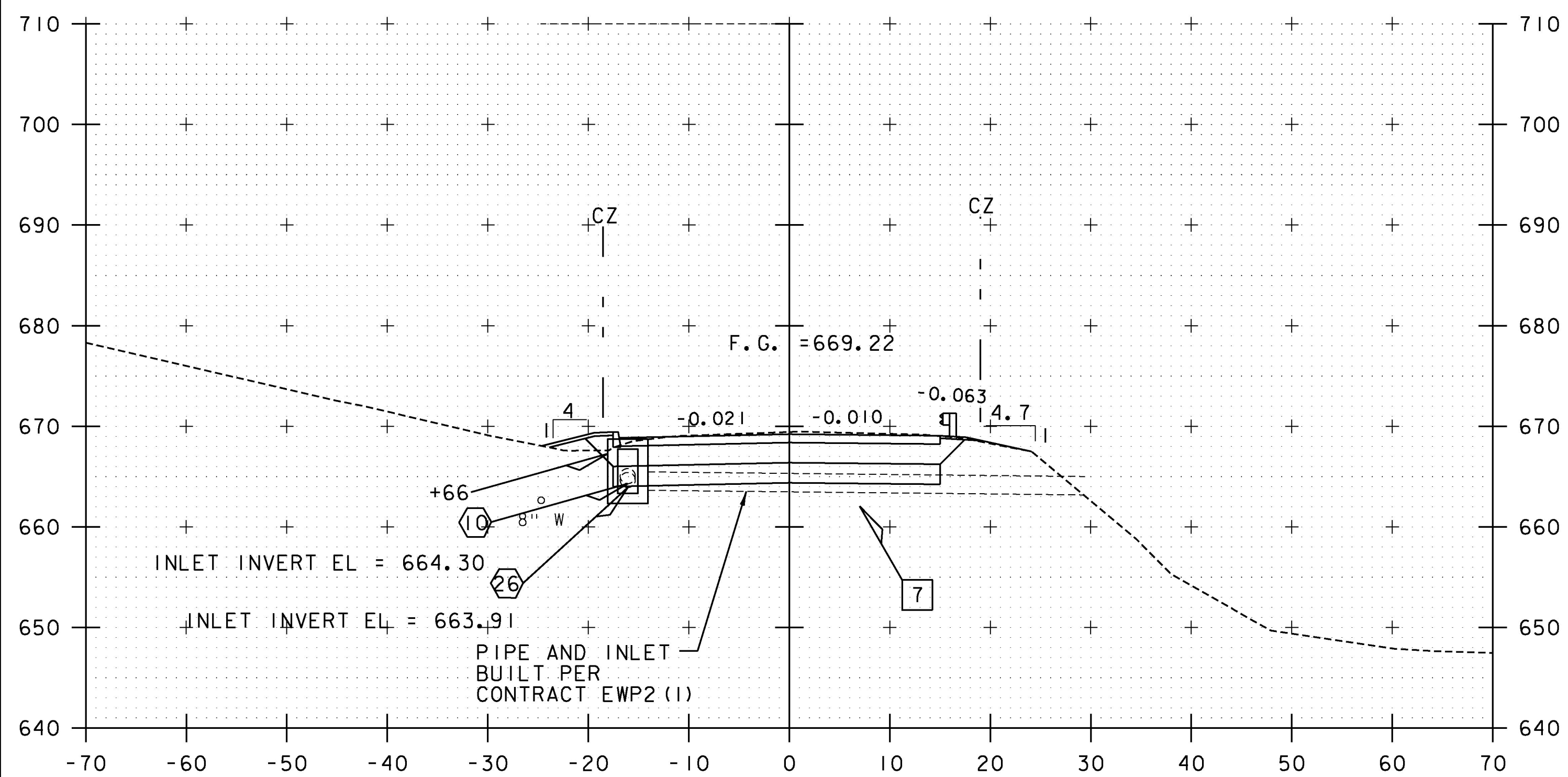


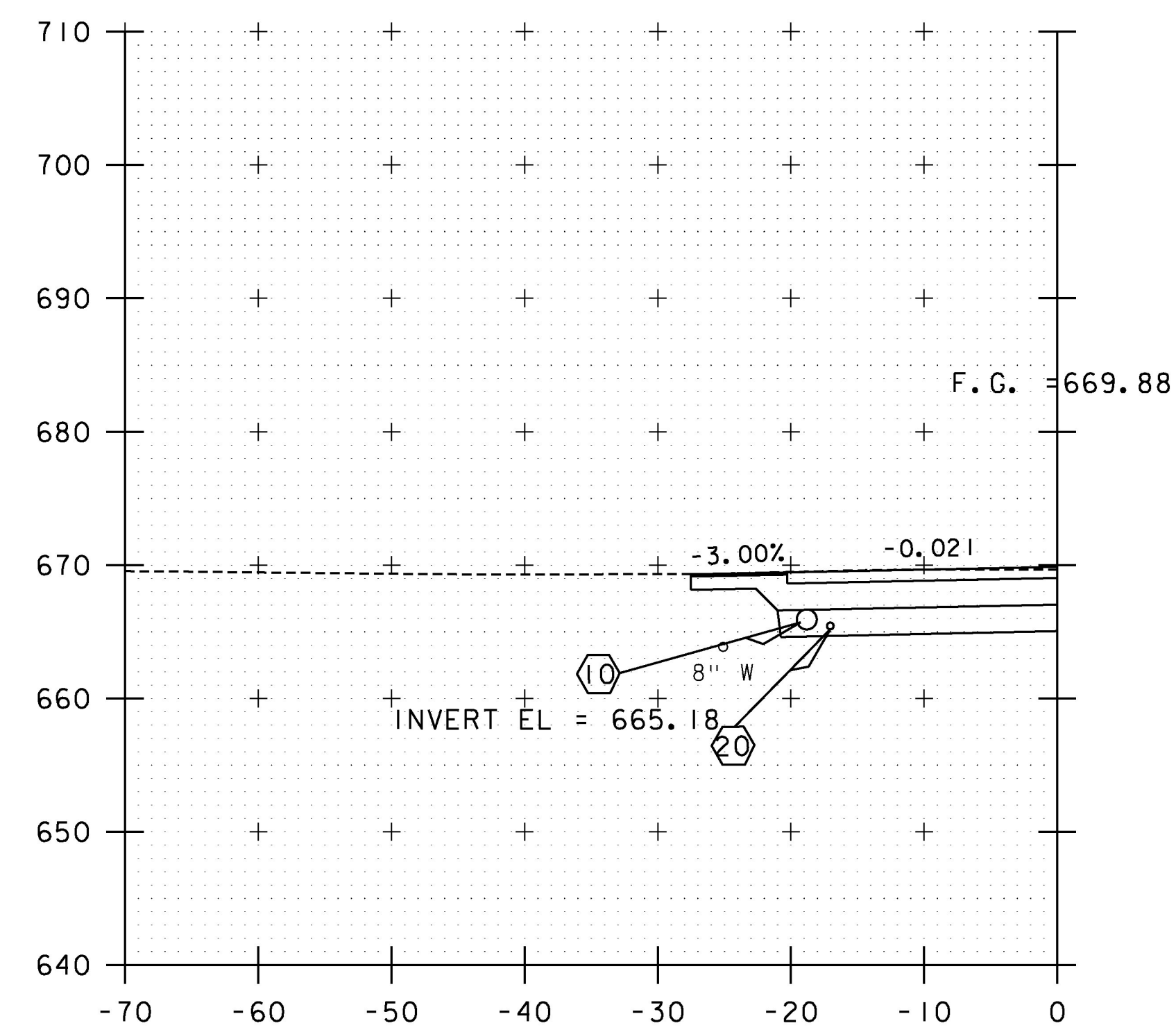
143+00



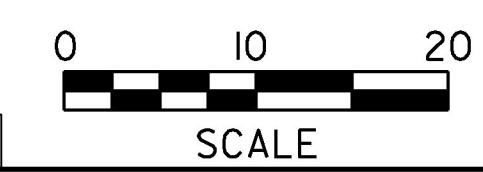
143+50



142+50  
END APPROACH/BEGIN PROJECT



143+33  
(DRIVE LEFT)



STA. 142+50 TO STA. 143+50

PROJECT NAME: EAST MONTPELIER	PLOT DATE: 2/17/2017
PROJECT NUMBER: BRF 037-(17)	DRAWN BY: C. GENDRON
FILE NAME: 32_Cross Sections.dgn	CHECKED BY: K. RICHARDSON
DESIGNED BY: C. GENDRON	SHEET 103 OF 158
US 2 CROSS SECTIONS UXS-2	