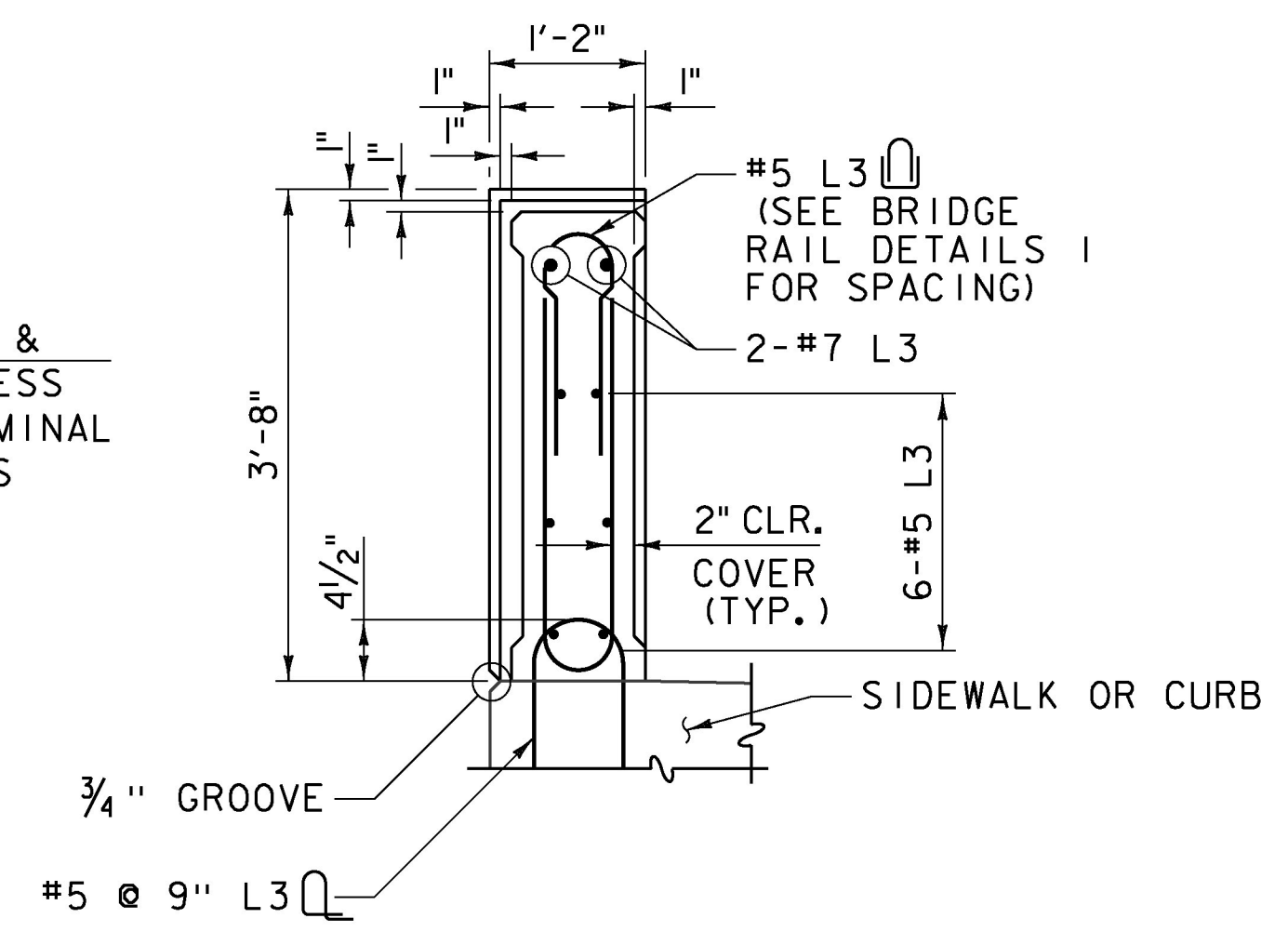
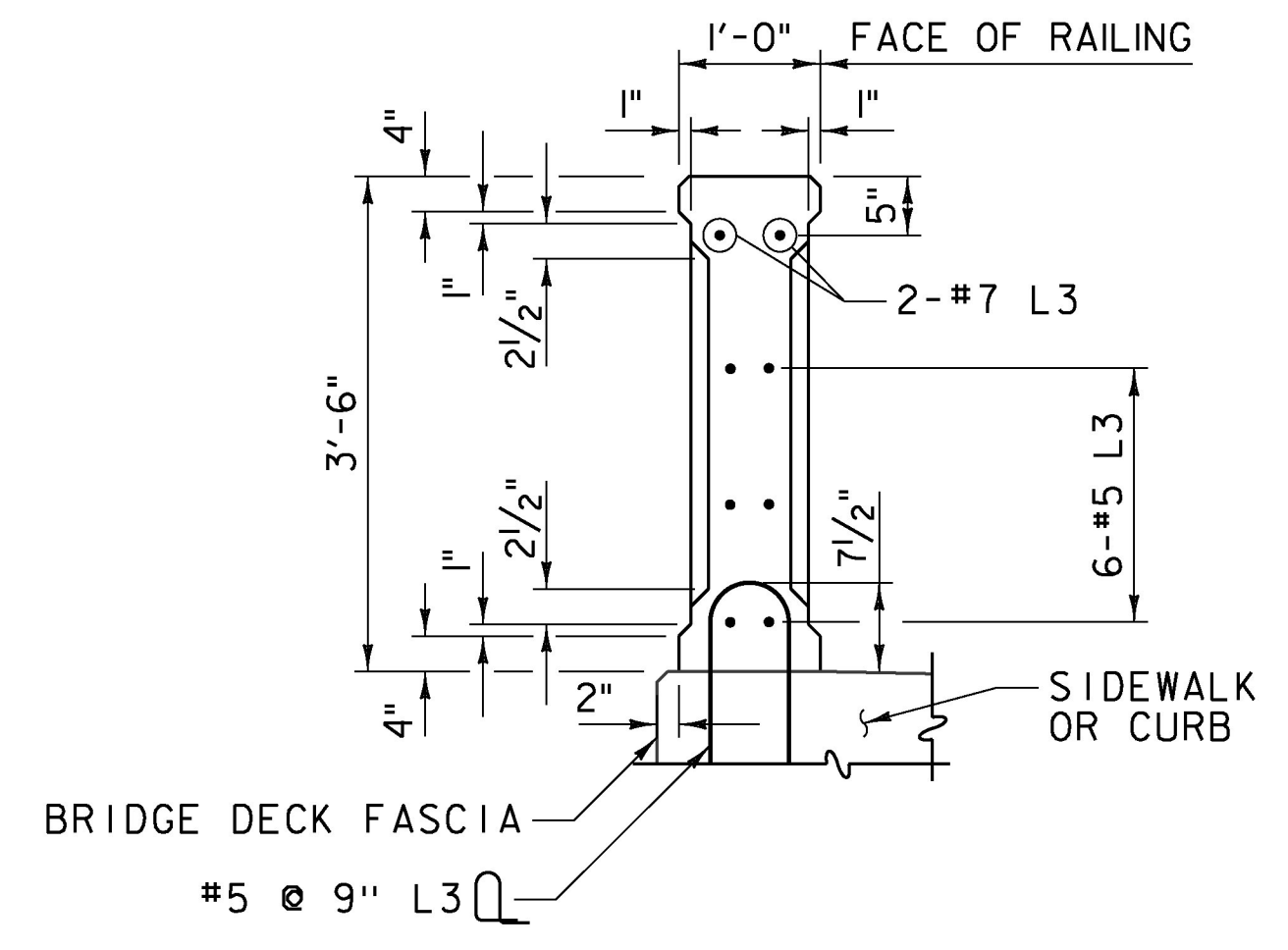


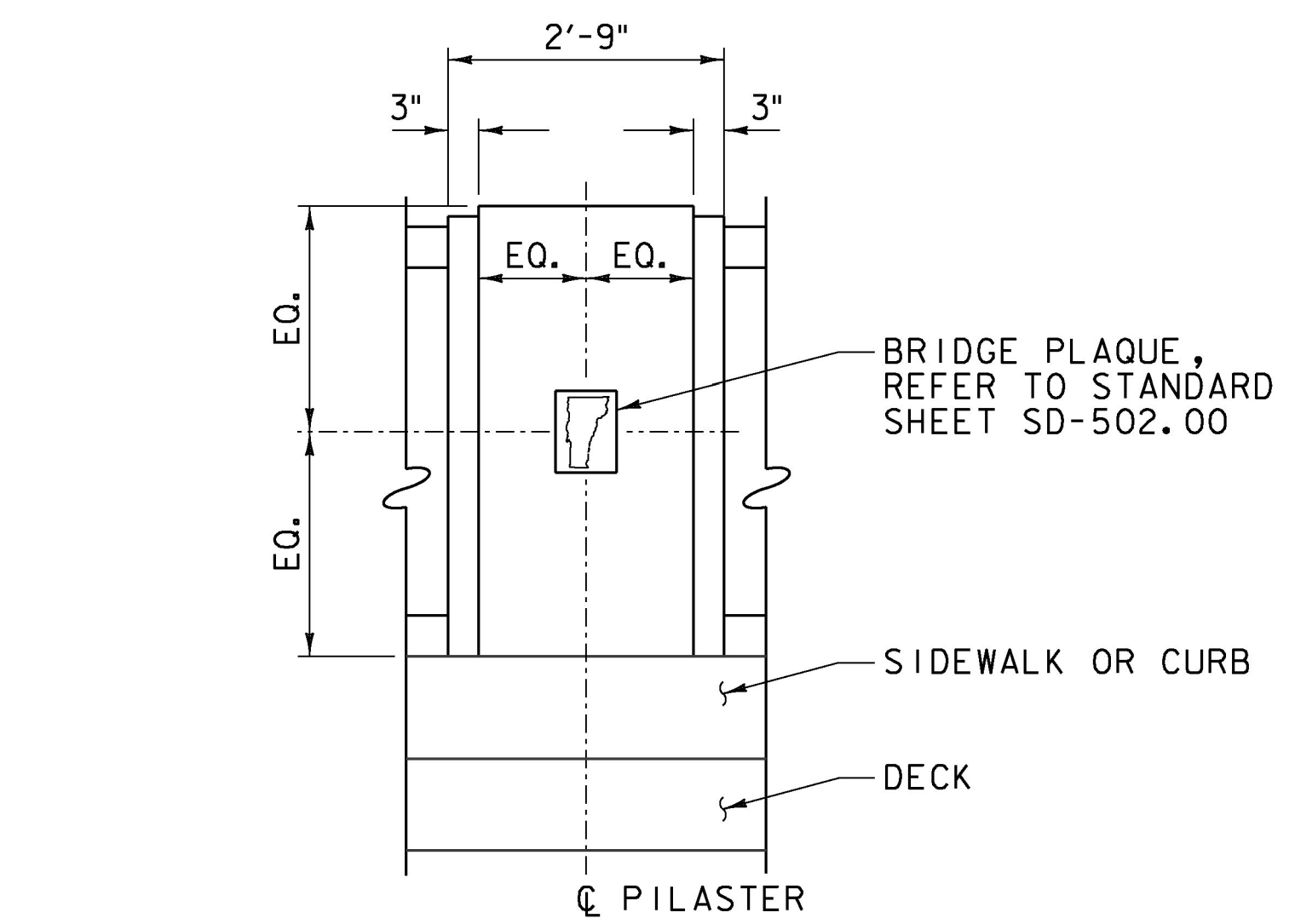
SECTION B-B
NOT TO SCALE
(SEE SECTION C-C FOR OMITTED REINFORCEMENT)



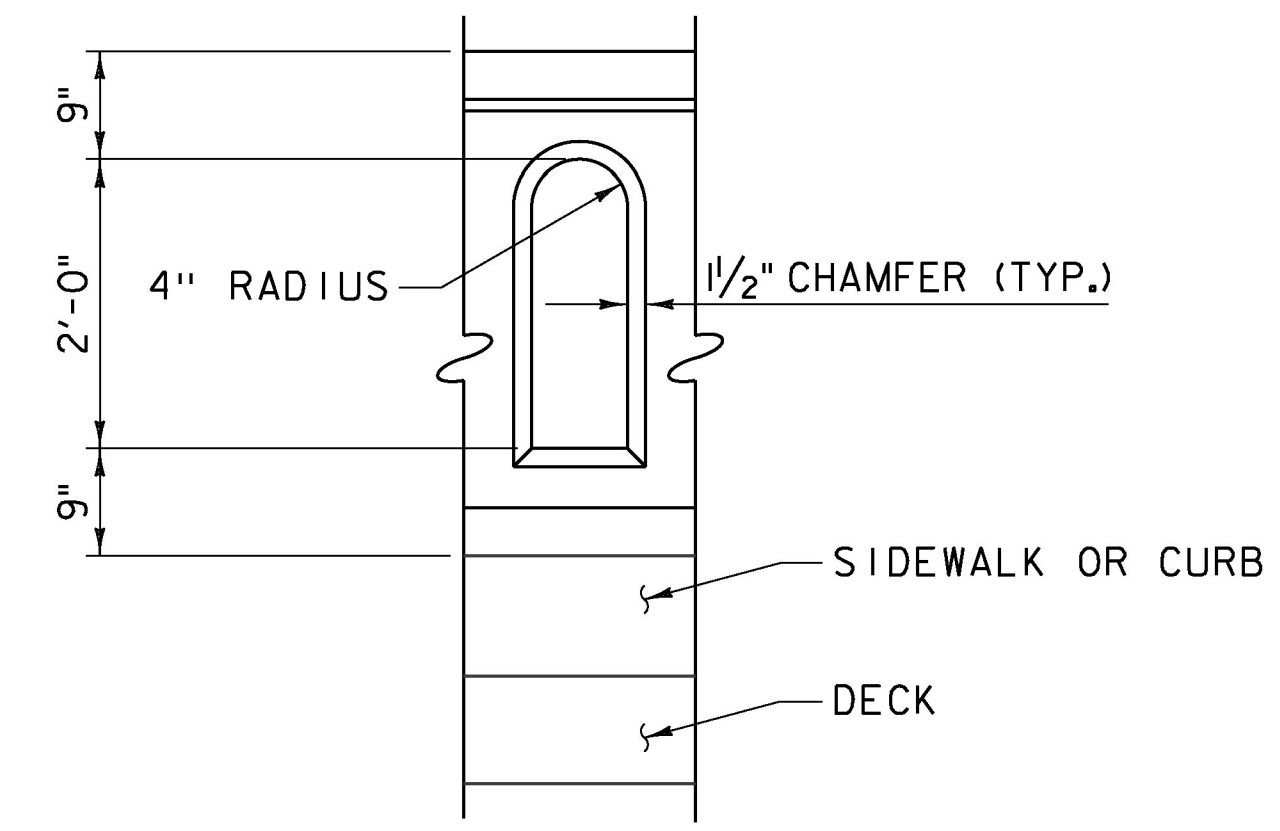
SECTION C-C
NOT TO SCALE



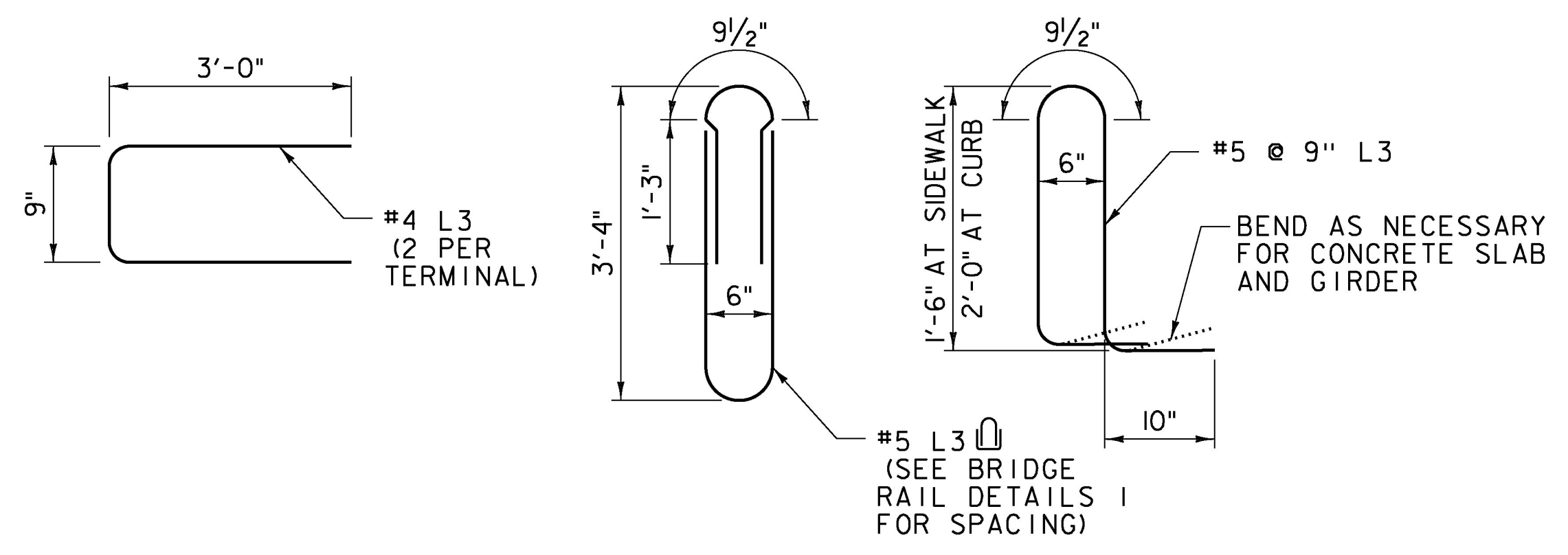
SECTION D-D
NOT TO SCALE



**EXTERIOR PILASTER
ELEVATION AT WINGWALL NO. 4**
NOT TO SCALE



ARCHITECTURAL INDENTATION
NOT TO SCALE



BAR REINFORCEMENT DETAILS
NOT TO SCALE

NOTE:
FOR LOCATION OF SECTION B-B, C-C
AND D-D SEE BRIDGE RAIL DETAILS 1.

| | |
|-----------------------|----------------------|
| PROJECT NAME: | EAST MONTPELIER |
| PROJECT NUMBER: | BRF 037-(7) |
| FILE NAME: | 23b_Bridge Rail2.dgn |
| PROJECT LEADER: | T. KNIGHT |
| DESIGNED BY: | T. KNIGHT |
| BRIDGE RAIL DETAILS 2 | |
| PLOT DATE: | 2/17/2017 |
| DRAWN BY: | L. BUXTON |
| CHECKED BY: | P. GREENBERG |
| SHEET | 98 OF 158 |

