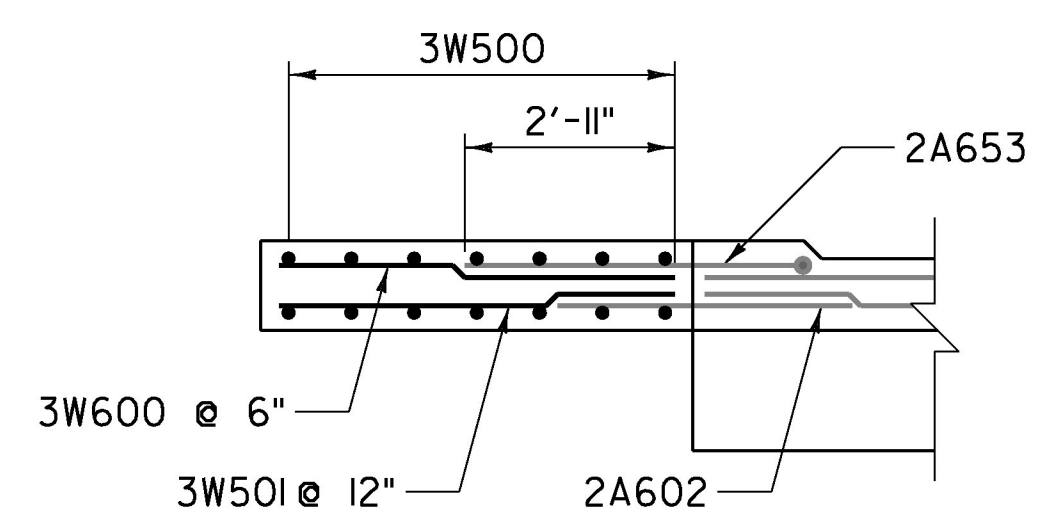
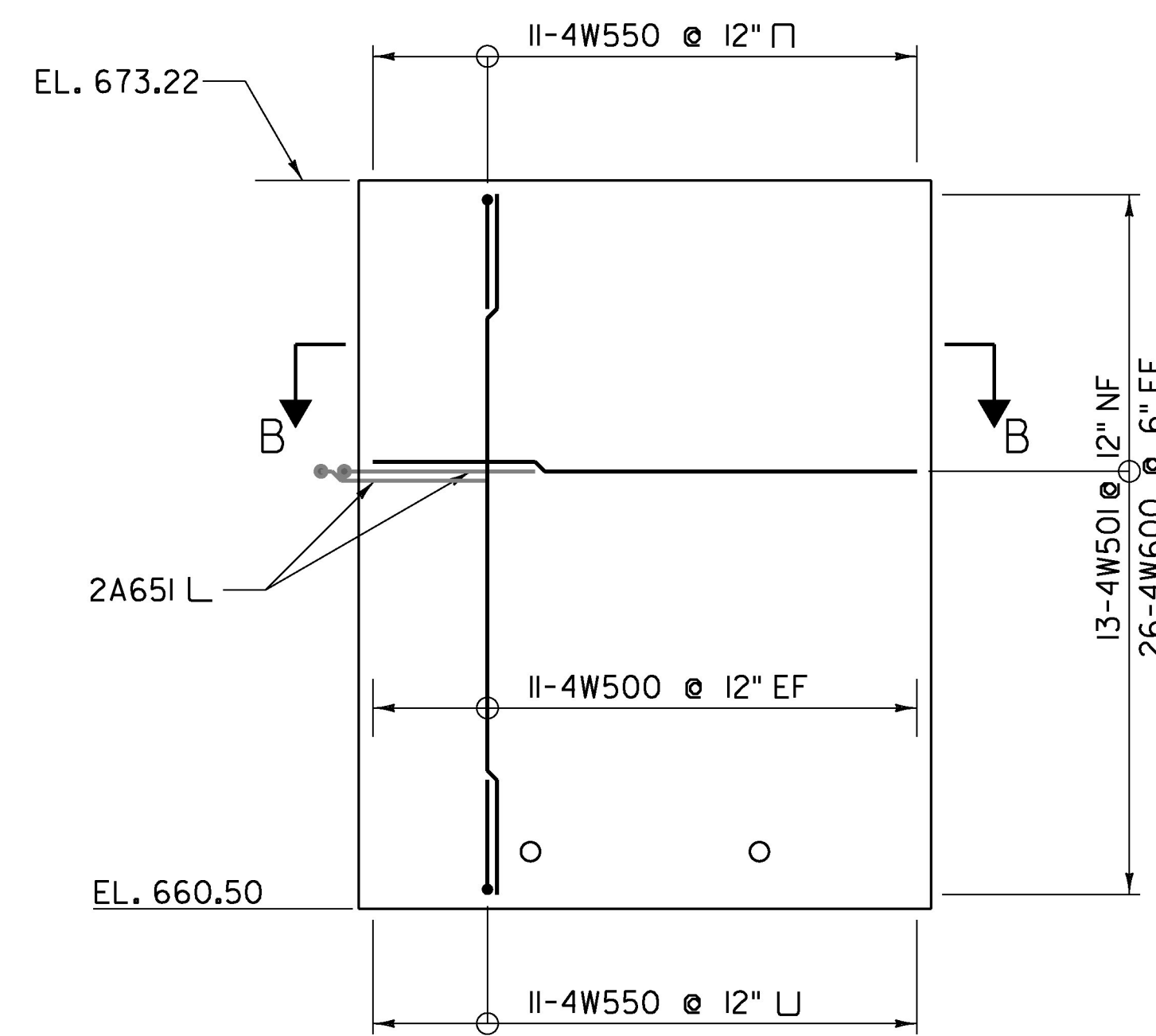


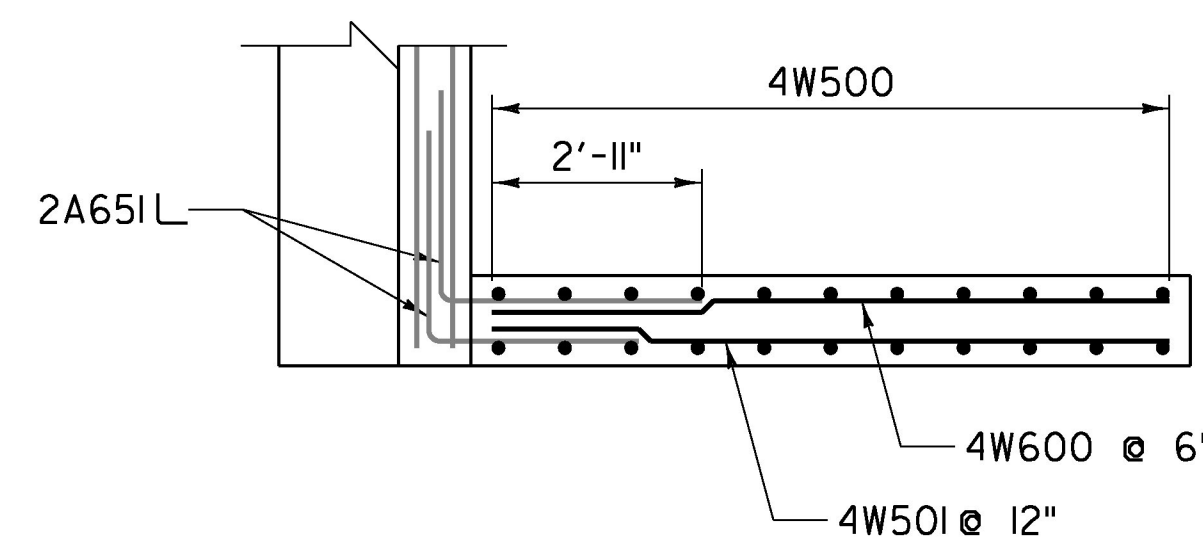
WINGWALL NO. 3 REINFORCEMENT
SCALE: 3/8" = 1'-0"



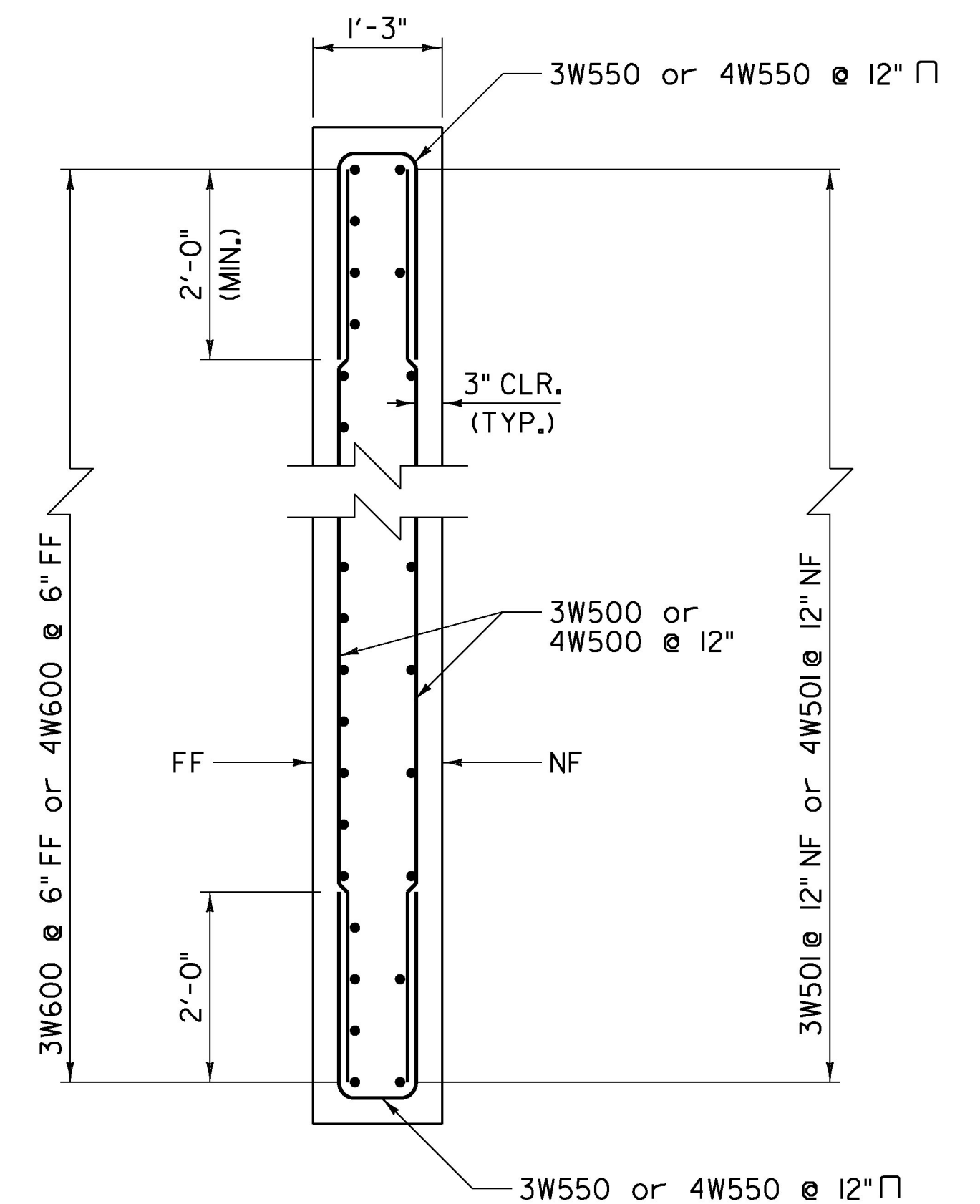
SECTION A-A
SCALE: 3/8" = 1'-0"



WINGWALL NO. 4 REINFORCEMENT
SCALE: 3/8" = 1'-0"



SECTION B-B
SCALE: 3/8" = 1'-0"



TYPICAL WINGWALL SECTION
SCALE: 3/4" = 1'-0"

- LEGEND:
- NF = NEAR FACE
 - FF = FAR FACE
 - EF = EACH FACE
 - MID = MIDDLE
 - (MC) = MECHANICAL CONNECTOR
 - ▲ = CUT TO FIT IN FIELD

NOTE: ALL LAP SPLICES 2'-0" UNLESS NOTED OTHERWISE.

PROJECT NAME:	EAST MONTPELIER
PROJECT NUMBER:	BRF 037-(17)
FILE NAME:	z98b252abuts.dgn
PROJECT LEADER:	T. KNIGHT
DESIGNED BY:	T. KNIGHT
ABUTMENT NO. 2 WINGWALL REINFORCEMENT SHEET	93 OF 158
PLOT DATE:	2/17/2017
DRAWN BY:	J. SOTER
CHECKED BY:	P. GREENBERG

