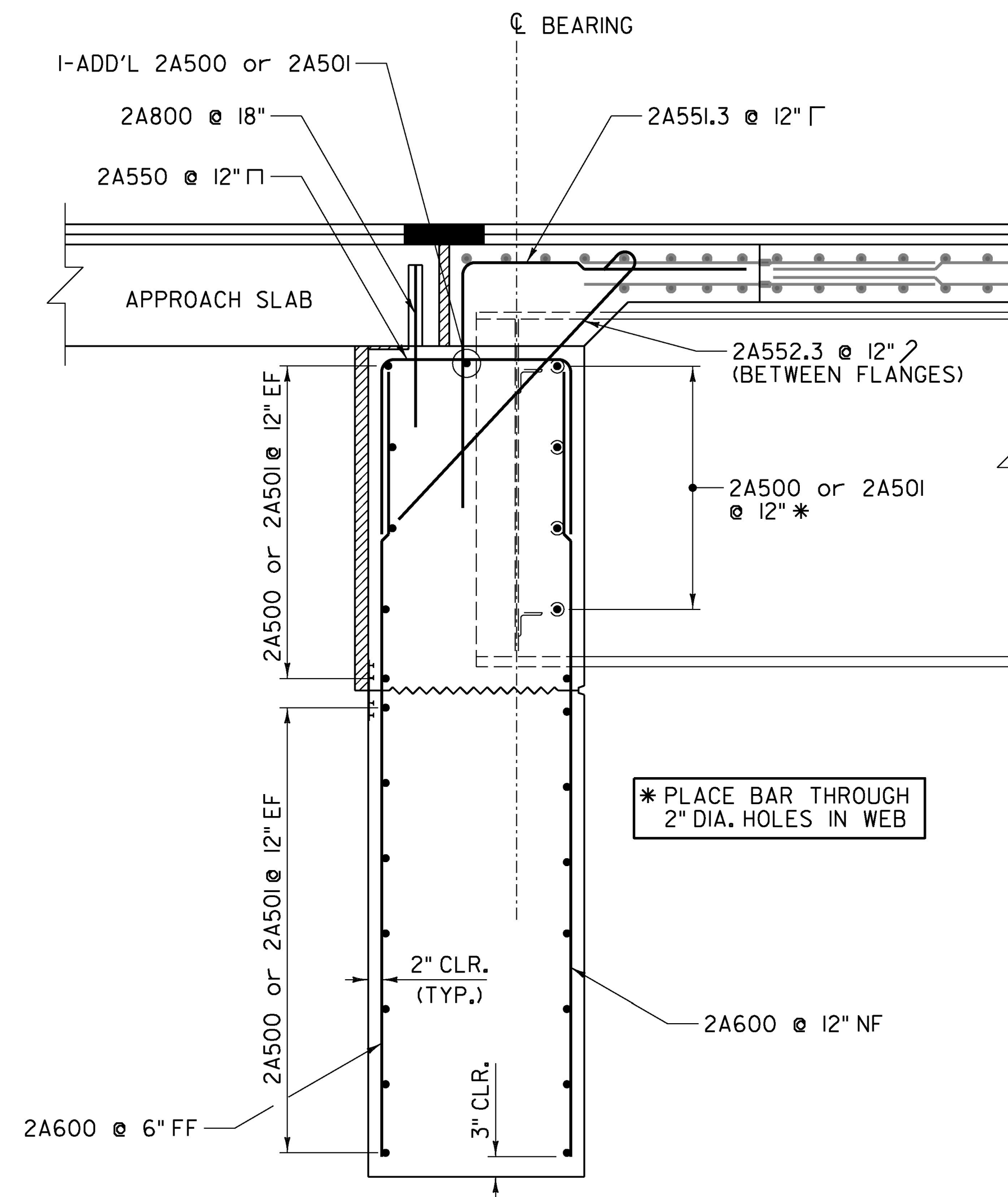
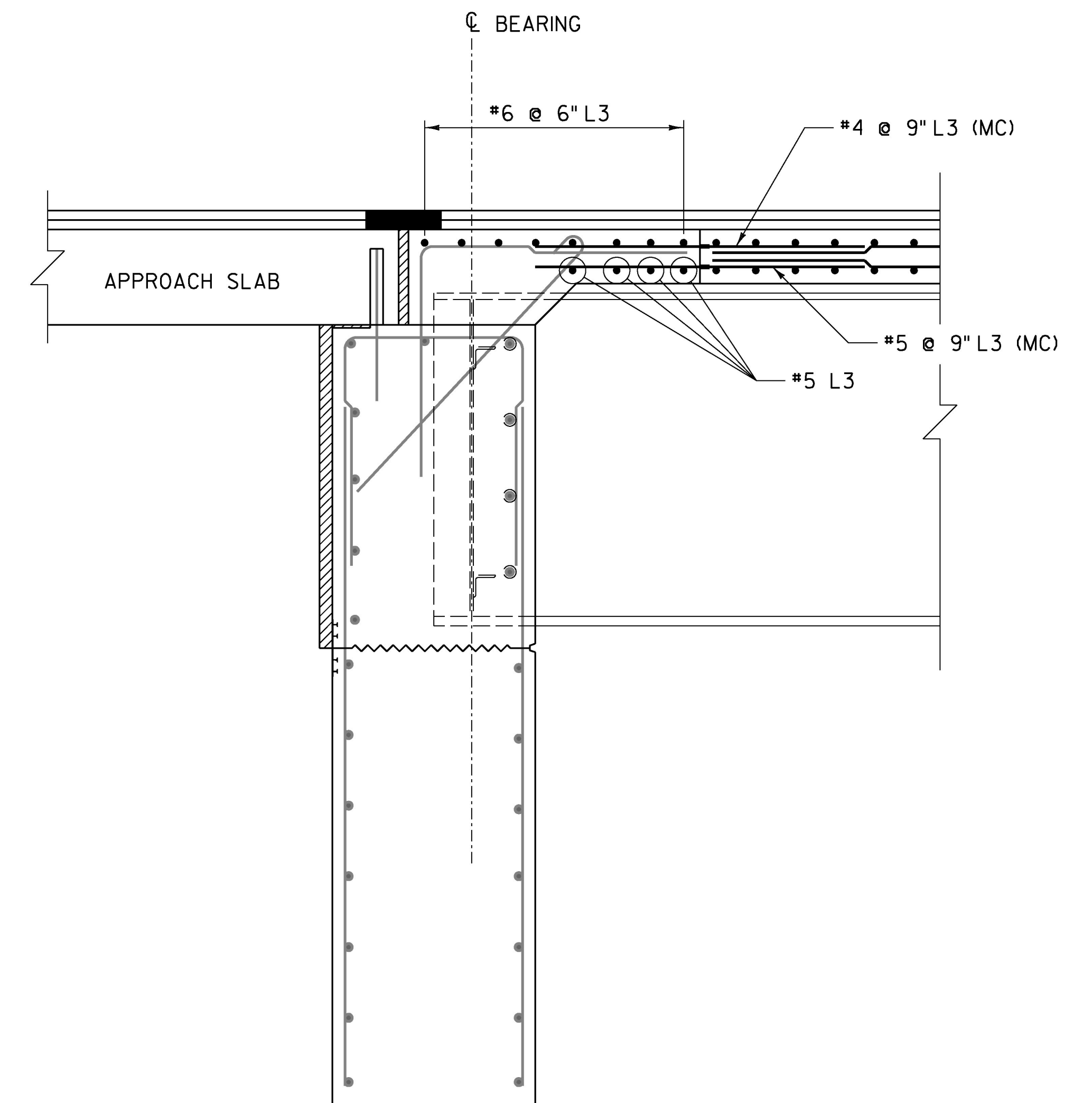


**ABUTMENT NO. 2**  
SCALE: 3/4" = 1'-0"



**ABUTMENT NO. 2 REINFORCEMENT**  
SCALE: 3/4" = 1'-0"



**ABUTMENT NO. 2  
END CLOSURE REINFORCEMENT**  
SCALE: 3/4" = 1'-0"

**LEGEND:**

- NF = NEAR FACE
- FF = FAR FACE
- EF = EACH FACE
- MID = MIDDLE
- (MC) = MECHANICAL CONNECTOR
- ▲ = CUT TO FIT IN FIELD

**NOTES:**

1. SPACE VERTICAL REINFORCEMENT TO AVOID GIRDERS.
2. ALL LAP SPLICES 2'-0" UNLESS NOTED OTHERWISE.



PROJECT NAME: EAST MONTPELIER	
PROJECT NUMBER: BRF 037-(17)	
FILE NAME: z98b252abuts.dgn	PLOT DATE: 2/17/2017
PROJECT LEADER: T. KNIGHT	DRAWN BY: J. SOTER
DESIGNED BY: T. KNIGHT	CHECKED BY: P. GREENBERG
ABUTMENT NO. 2 TYPICAL SECTIONS	SHEET 91 OF 158