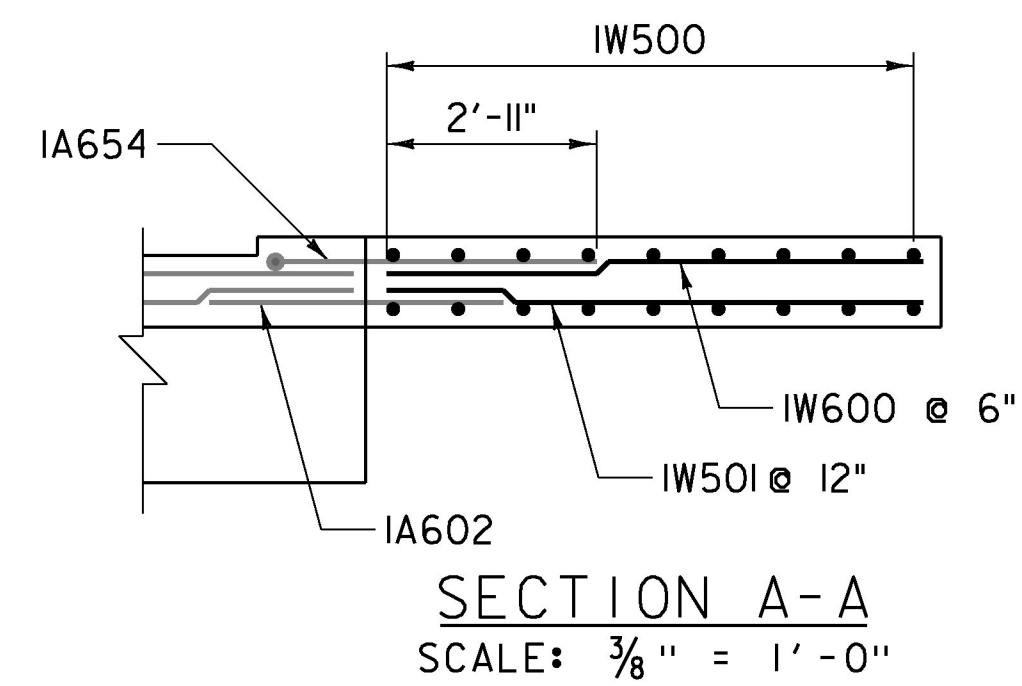
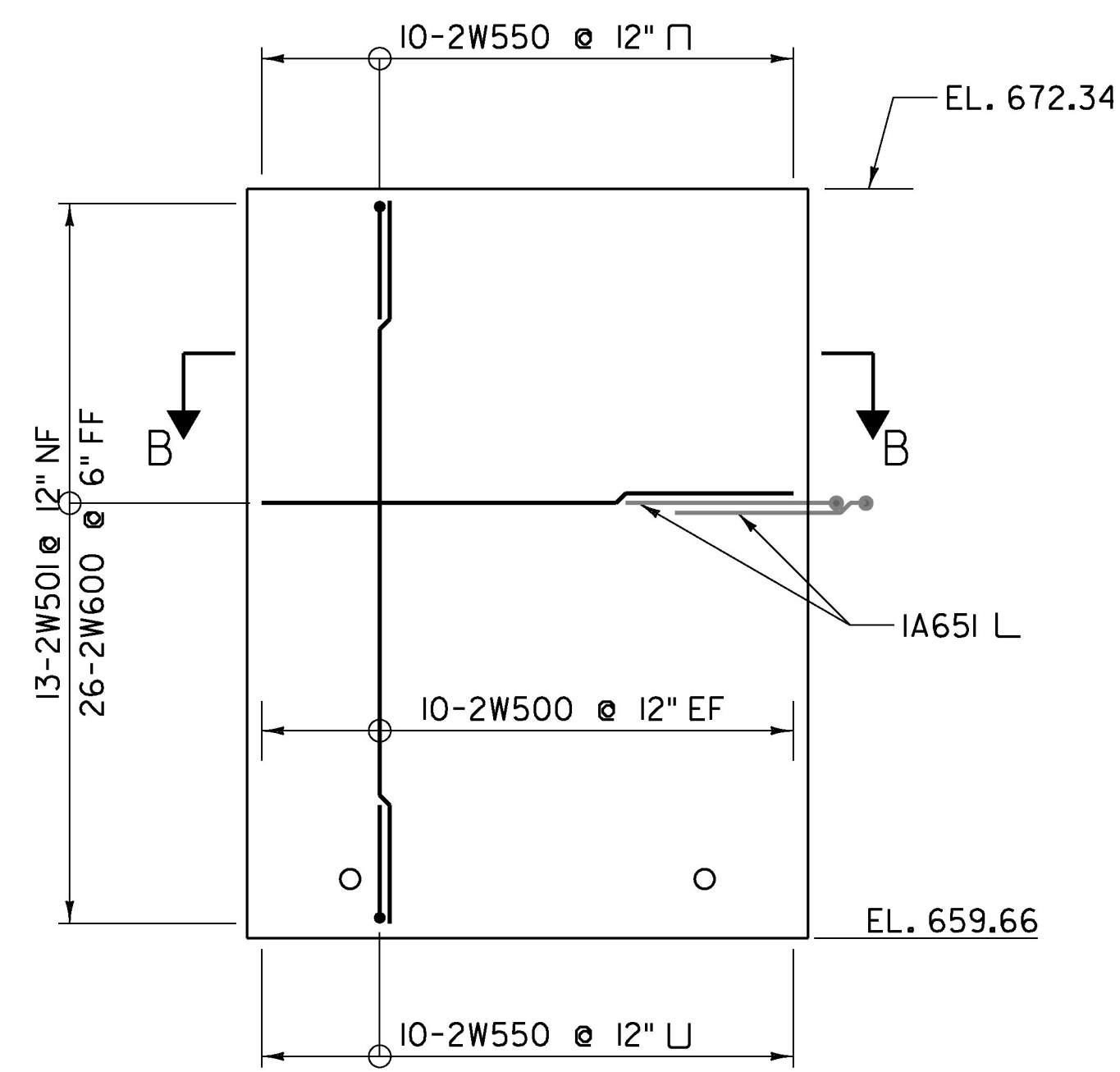


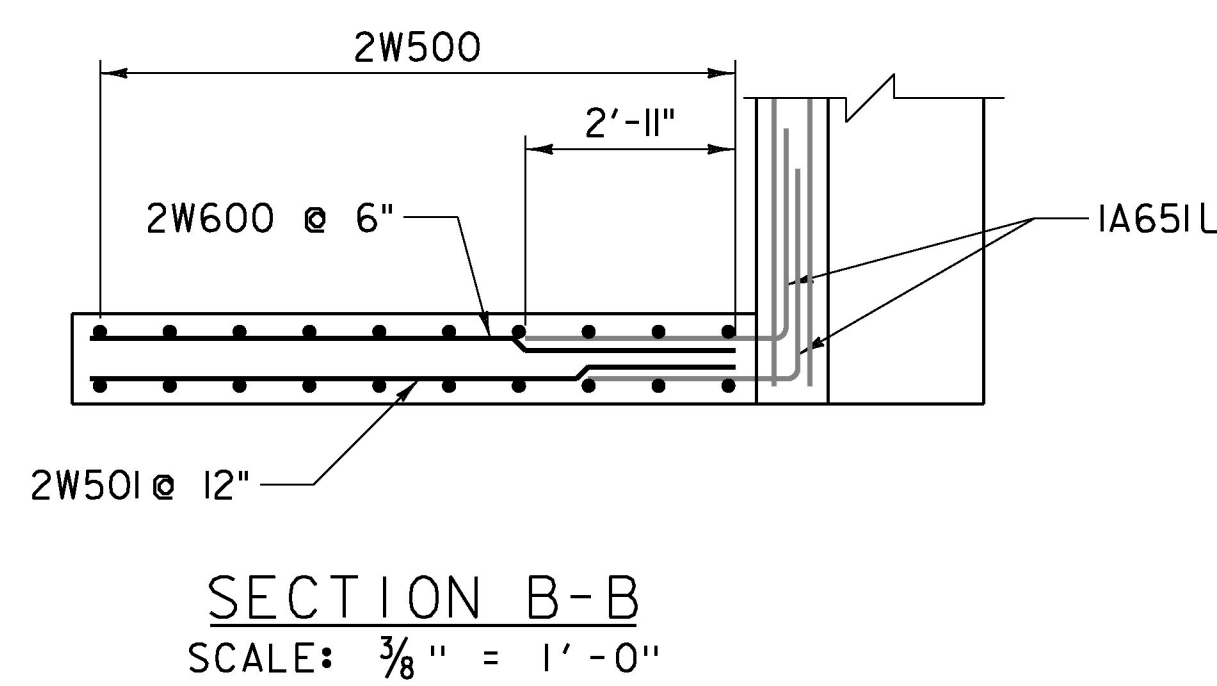
WINGWALL NO. 1 REINFORCEMENT  
SCALE: 3/8" = 1'-0"



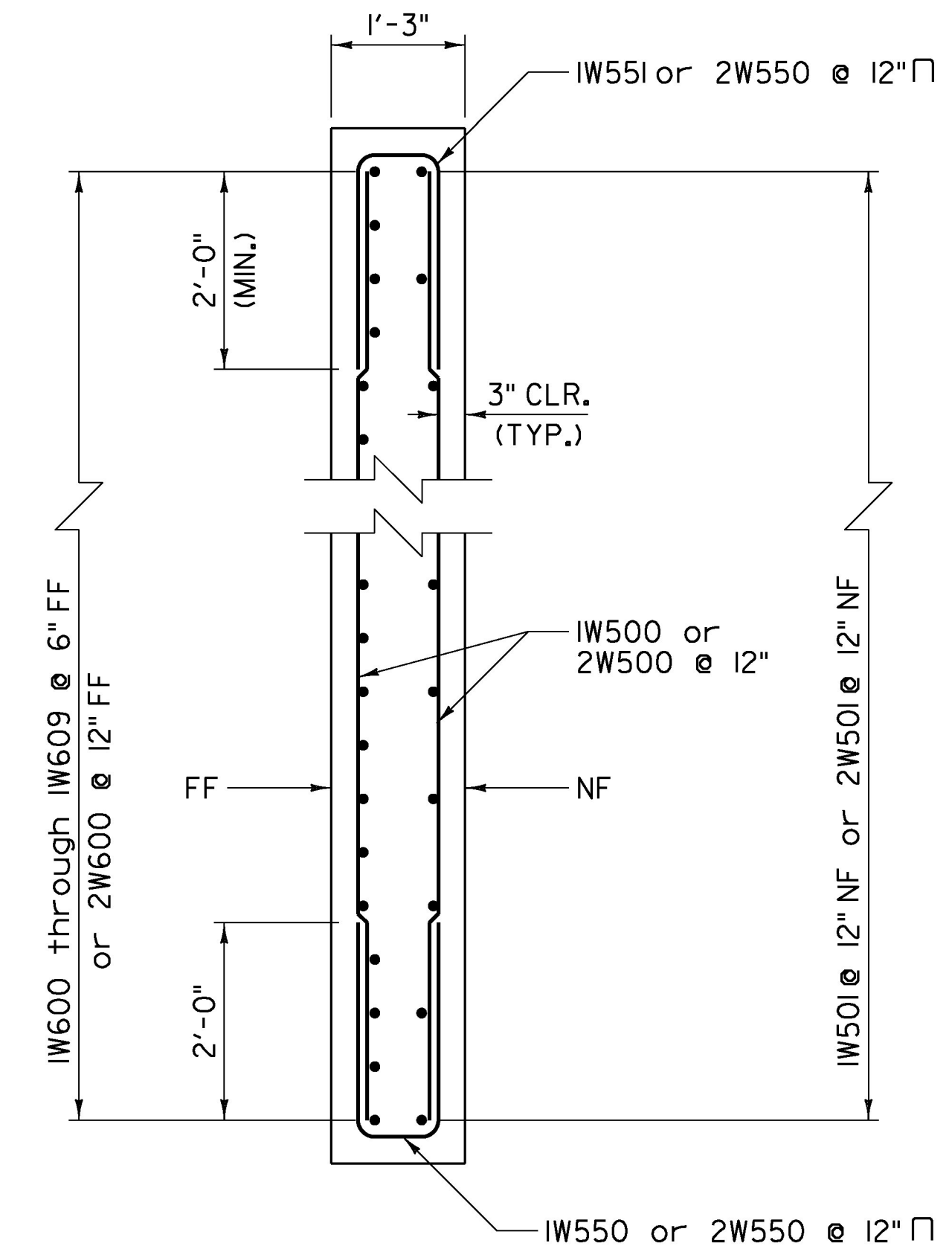
SECTION A-A  
SCALE: 3/8" = 1'-0"



WINGWALL NO. 2 REINFORCEMENT  
SCALE: 3/8" = 1'-0"



SECTION B-B  
SCALE: 3/8" = 1'-0"



TYPICAL WINGWALL SECTION  
SCALE: 3/4" = 1'-0"

- LEGEND:
- NF = NEAR FACE
  - FF = FAR FACE
  - EF = EACH FACE
  - MID = MIDDLE
  - (MC) = MECHANICAL CONNECTOR
  - ▲ = CUT TO FIT IN FIELD

NOTE: ALL LAP SPLICES 2'-0" UNLESS NOTED OTHERWISE.

PROJECT NAME:	EAST MONTPELIER
PROJECT NUMBER:	BRF 037-(17)
FILE NAME:	z98b252abuts.dgn
PROJECT LEADER:	T. KNIGHT
DESIGNED BY:	T. KNIGHT
ABUTMENT NO. 1 WINGWALL REINFORCEMENT	
PLOT DATE:	2/17/2017
DRAWN BY:	J. SOTER
CHECKED BY:	P. GREENBERG
SHEET	89 OF 158

