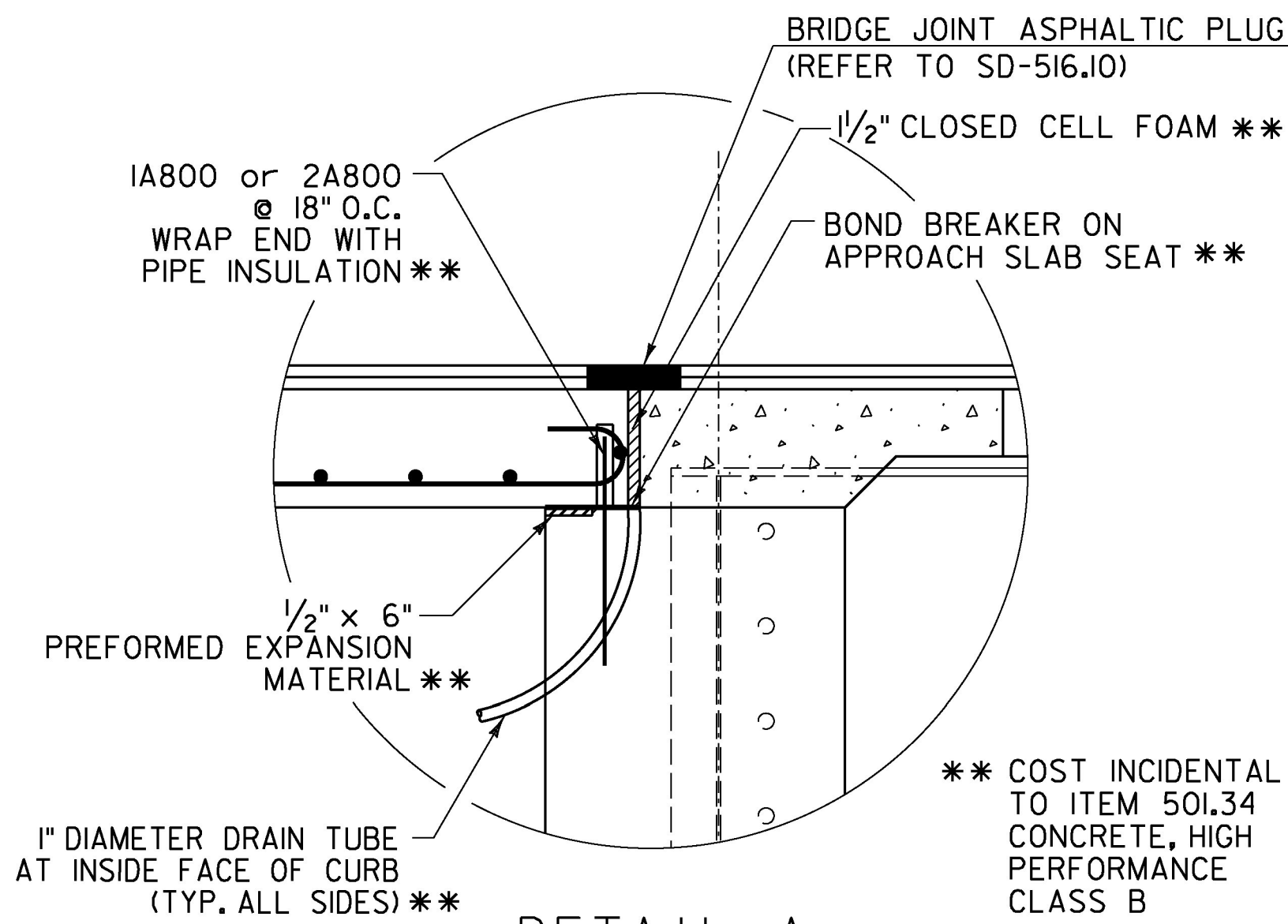
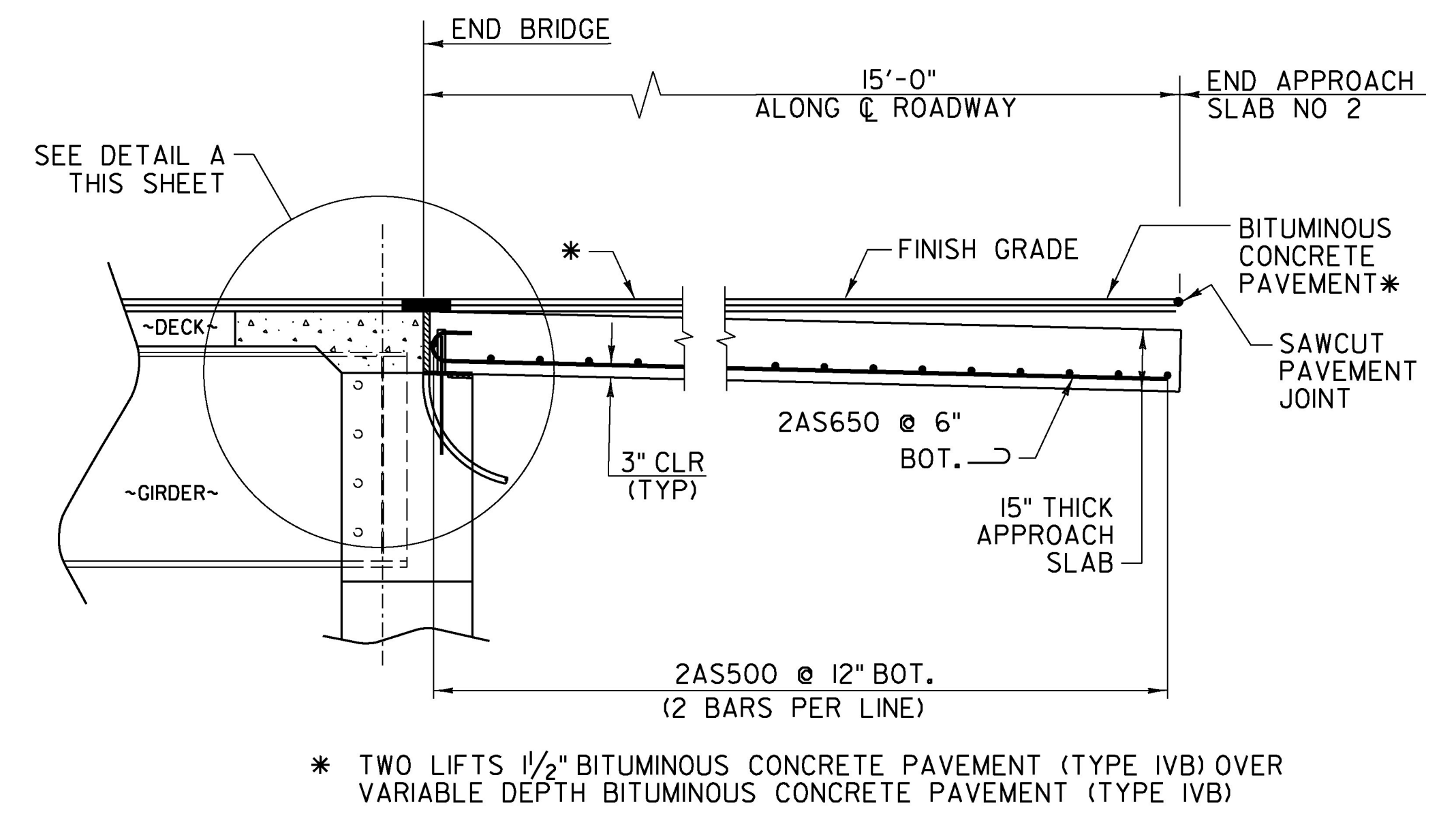


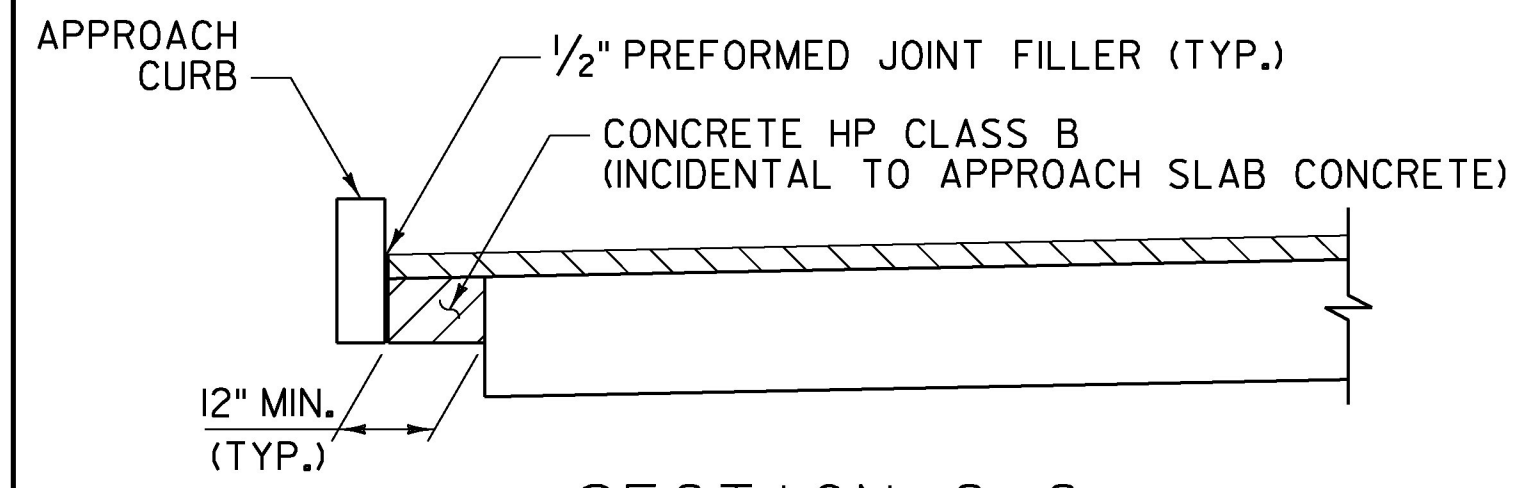
SECTION A-A
SCALE: 3/8" = 1' - 0"



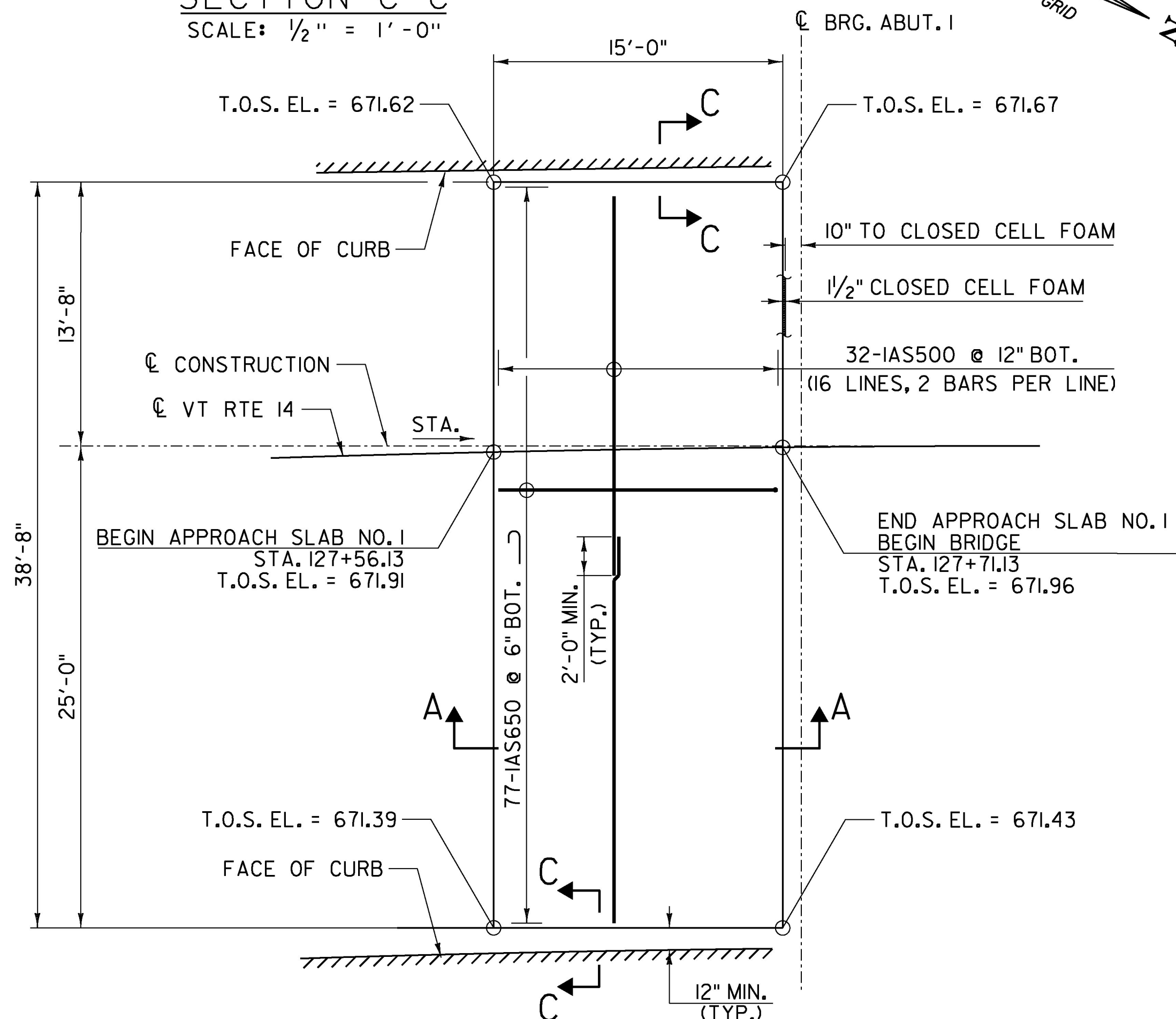
DETAIL A
NOT TO SCALE
(ABUT. 1 SHOWN, ABUT. 2 SIMILAR)



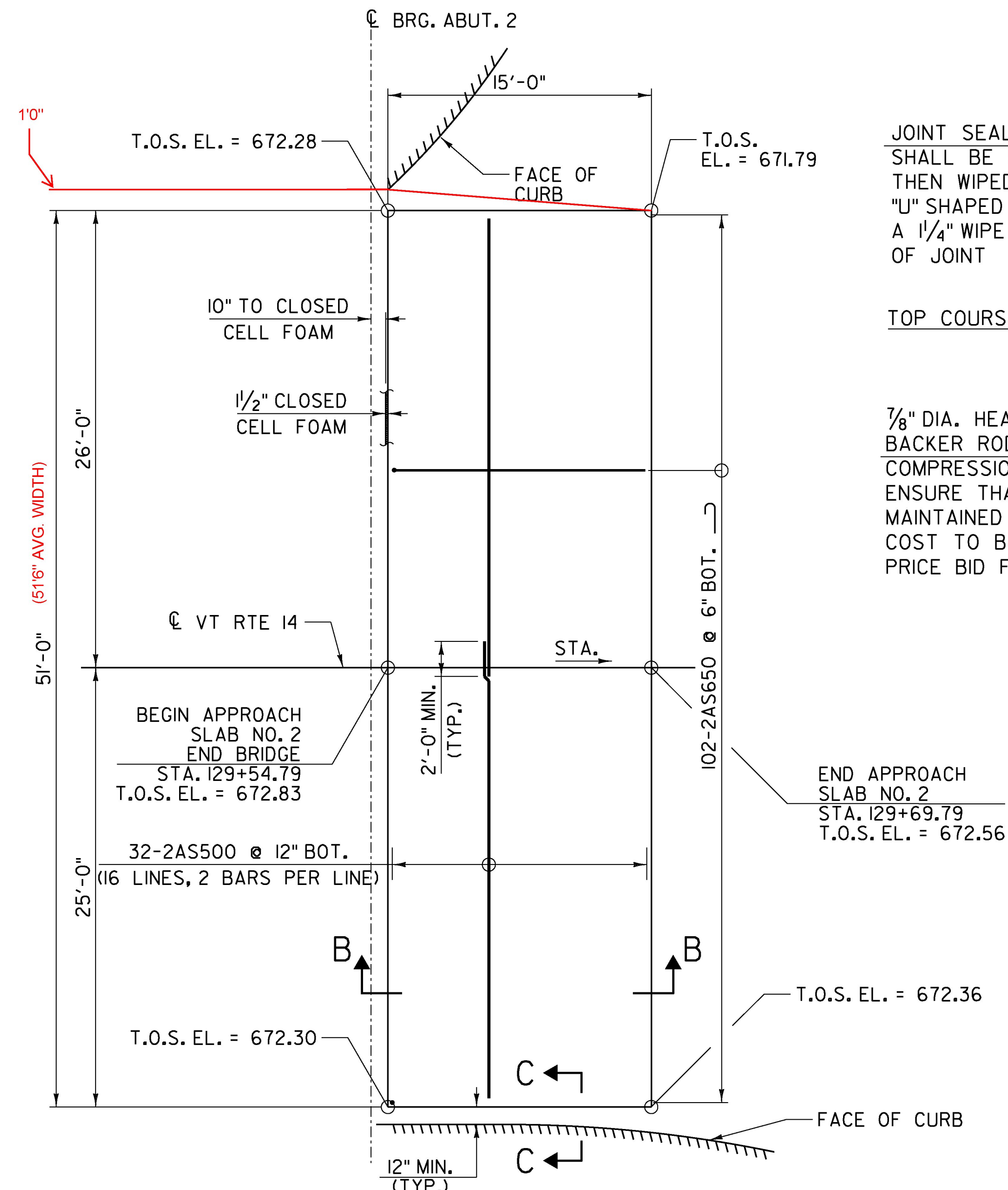
SECTION B-B
SCALE: 3/8" = 1' - 0"



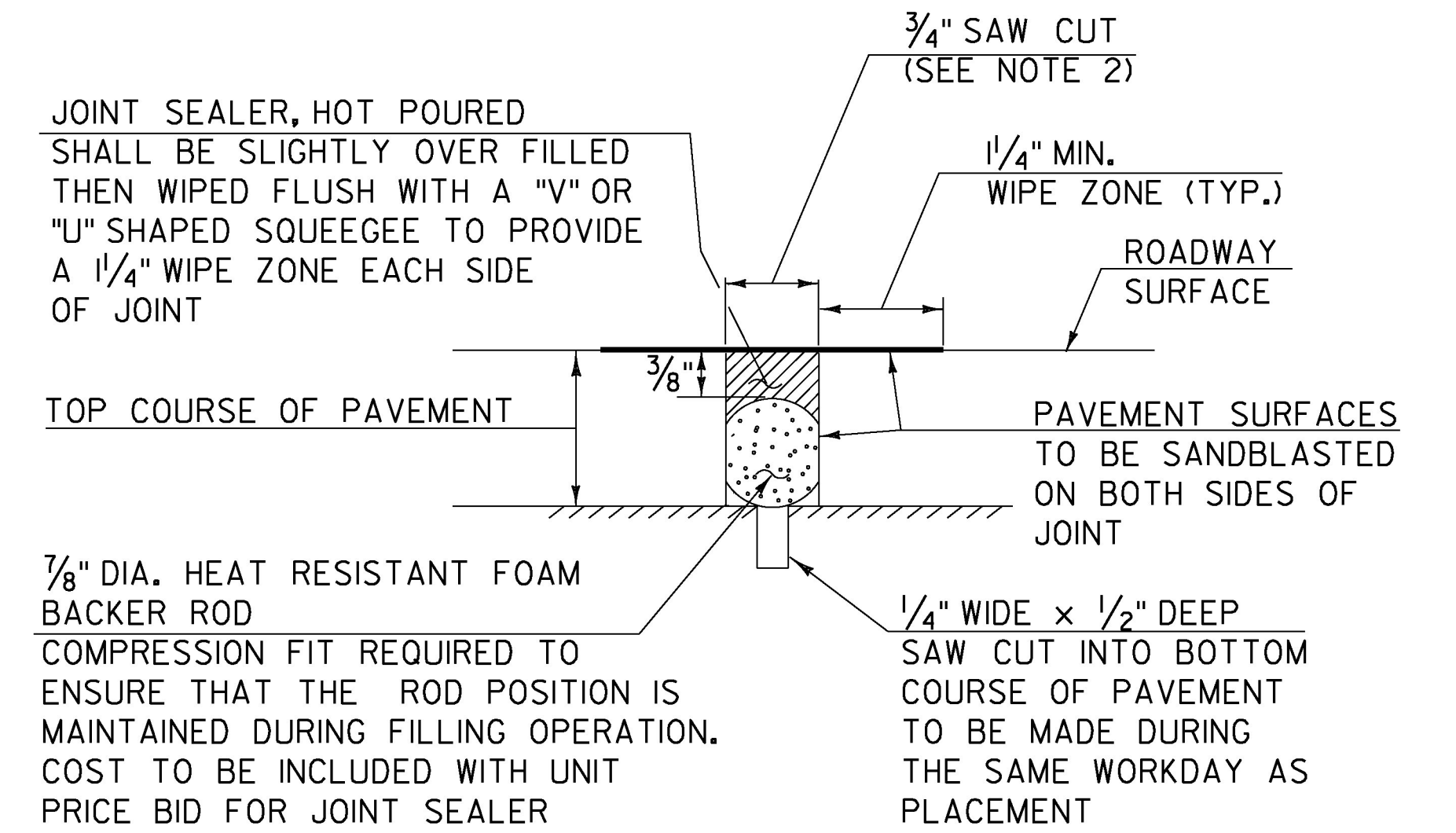
SECTION C-C
SCALE: 1/2" = 1' - 0"



APPROACH SLAB NO. 1 - PLAN
SCALE: 3/16" = 1' - 0"



APPROACH SLAB NO. 2 - PLAN
SCALE: 3/16" = 1' - 0"



NOTES:

1. PLACE JOINT SEALER, HOT Poured AT THE BEGINNING OF THE APPROACH SLABS.
2. JOINT IS TO BE LOCATED ACCURATELY BY STRING LINING, OR OTHER MEANS, PRIOR TO PAVING, SO THAT THE SAW CUTS WILL BE MADE DIRECTLY OVER THE END OF CONCRETE DECK. JOINT SHALL BE CUT DRY IN A SINGLE PASS AND BE SEALED WITHIN 24 HOURS OR PRIOR TO EXPOSURE TO TRAFFIC. JOINT SHALL BE CLEANED PRIOR TO APPLYING THE JOINT SEALER.

SAWED PAVEMENT JOINT DETAIL
NOT TO SCALE

PROJECT NAME:	EAST MONTPELIER
PROJECT NUMBER:	BRF 037-(I7)
FILE NAME:	z98b252appslabs.dgn
PROJECT LEADER:	T. KNIGHT
DESIGNED BY:	N. TIRK
APPROVED BY:	P. GREENBERG
PLOT DATE:	2/17/2017
DRAWN BY:	J. SOTER
CHECKED BY:	P. GREENBERG
SHEET	85 OF 158

