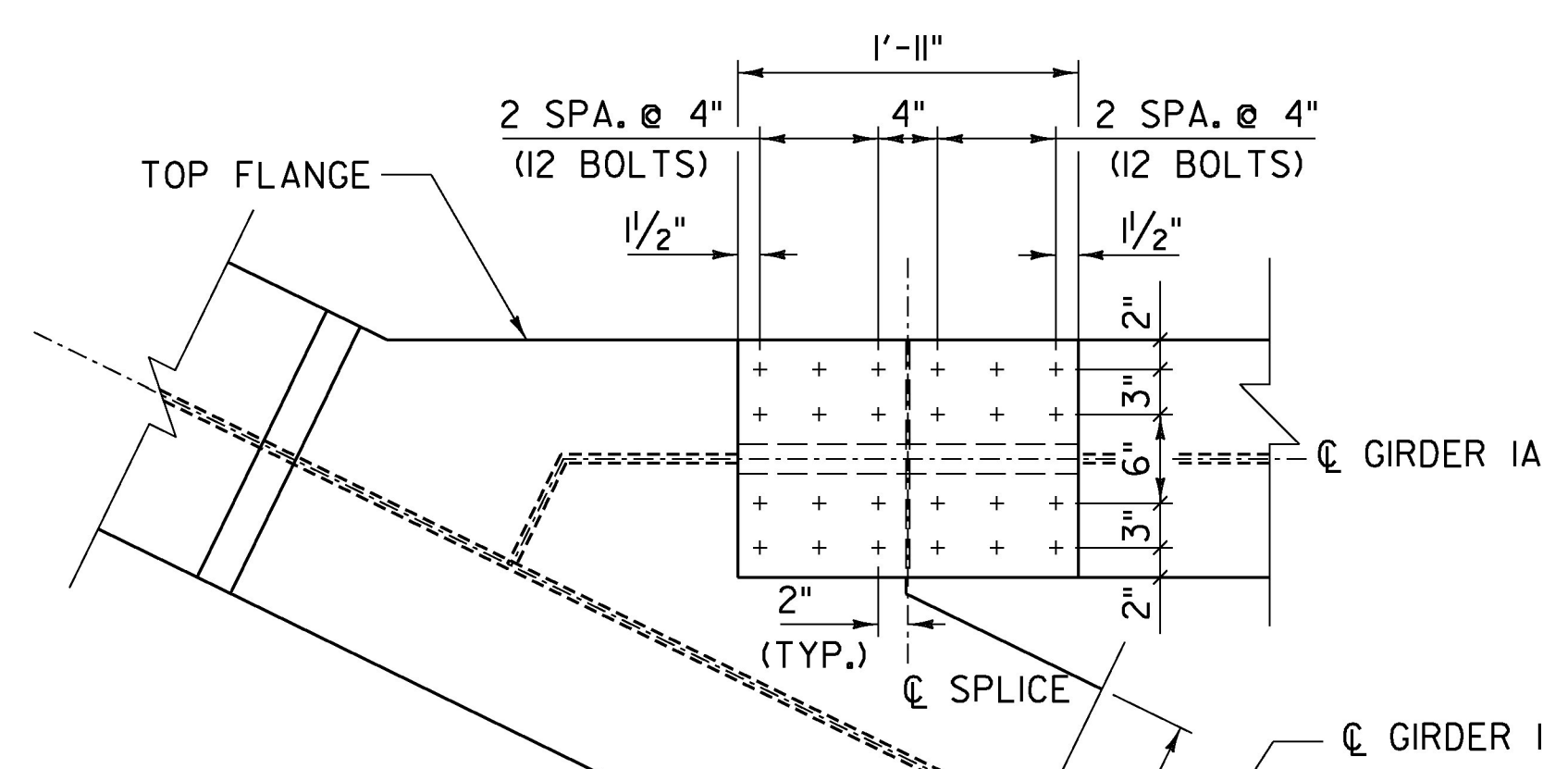
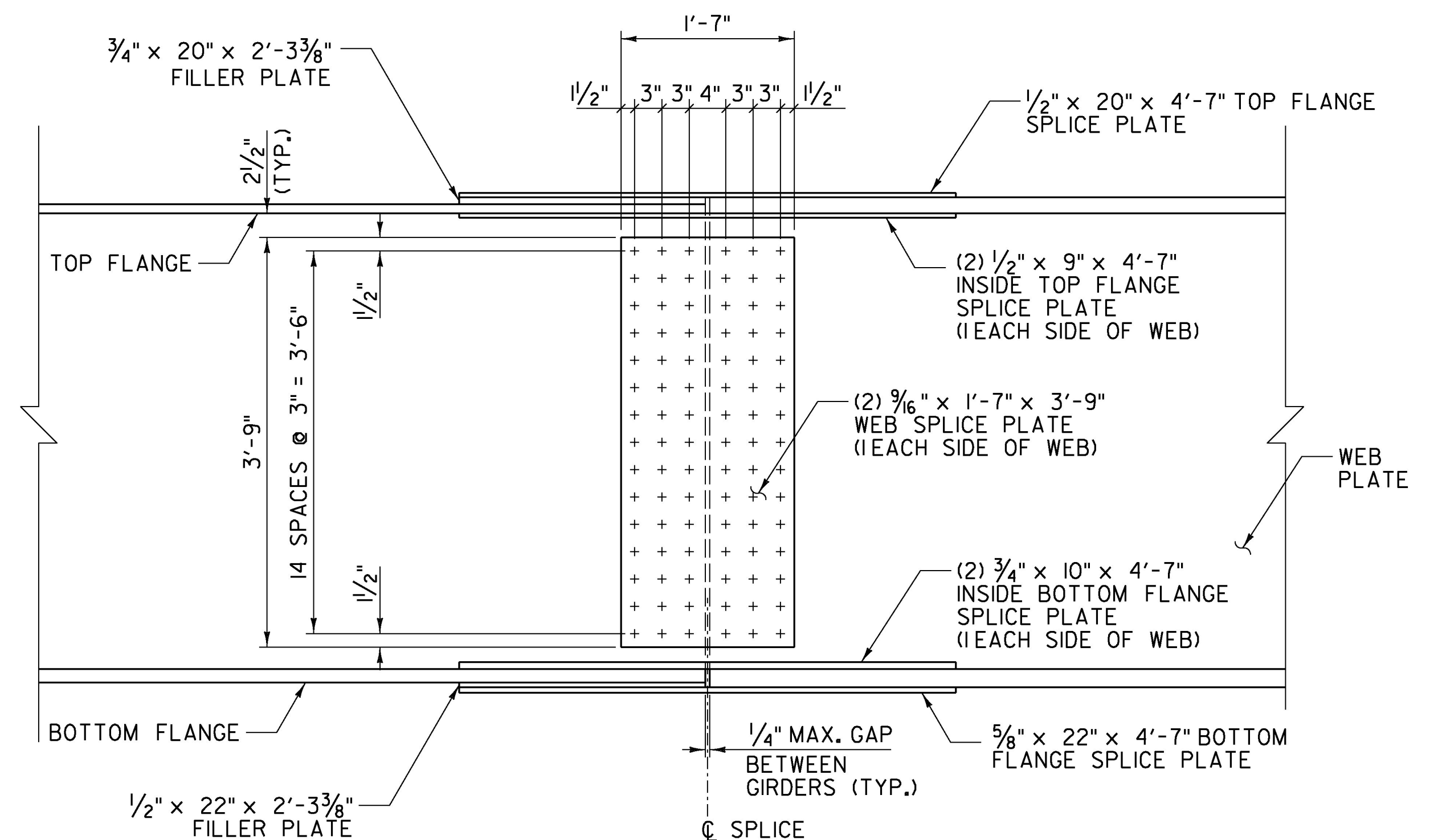


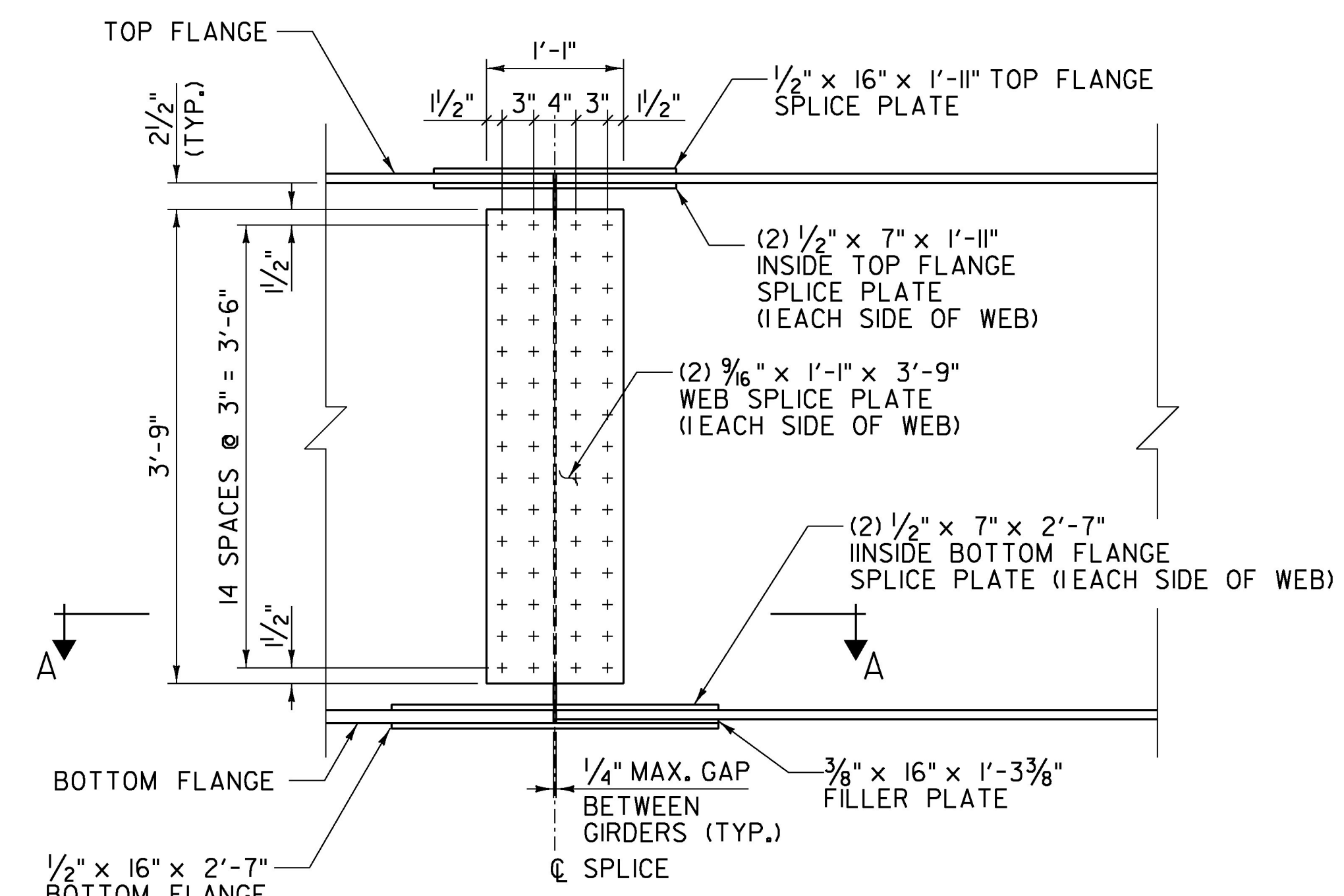
TOP FLANGE PLAN



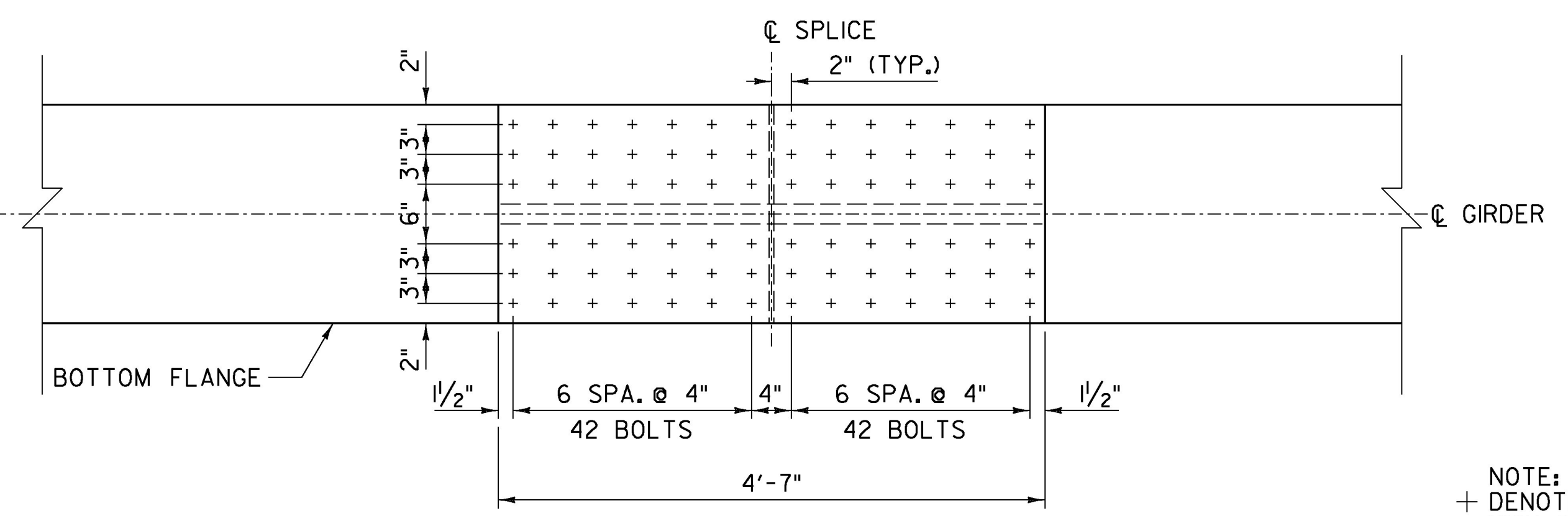
TOP FLANGE PLAN



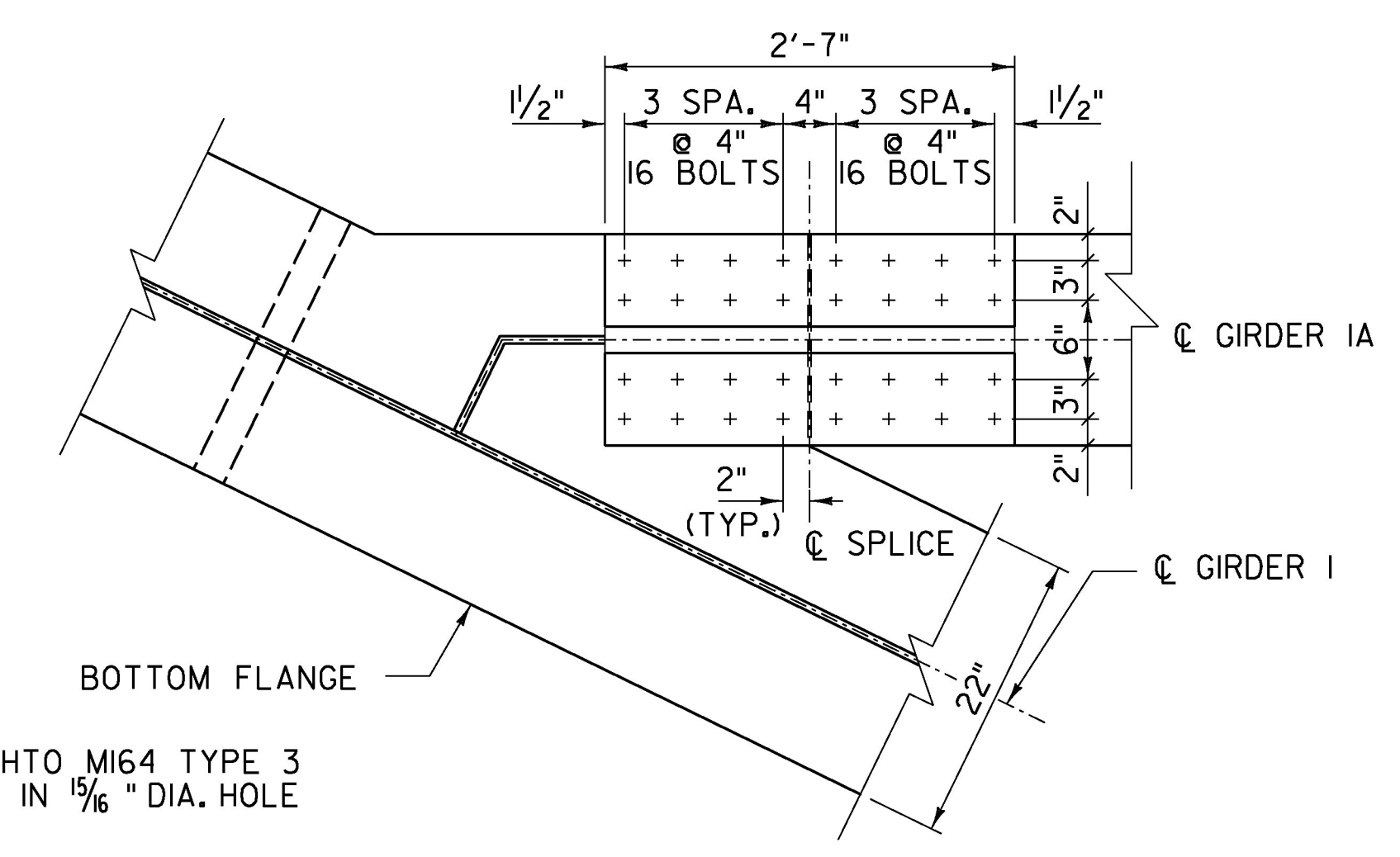
WEB ELEVATION



WEB ELEVATION



BOTTOM FLANGE PLAN



BOTTOM FLANGE PLAN A-A

NOTE:
+ DENOTES 7/8" DIA. AASHTO M164 TYPE 3
HIGH STRENGTH BOLT IN 15/16" DIA. HOLE

GI-G6 BOLTED FIELD SPLICE DETAILS
SCALE: 1" = 1'-0"

GIA BOLTED FIELD
SPLICE DETAILS
SCALE: 1" = 1'-0"



PROJECT NAME:	EAST MONTPELIER	PLOT DATE:	2/17/2017
PROJECT NUMBER:	BRF 037-(17)	DRAWN BY:	L. BUXTON
FILE NAME:	z98b252fra.dgn	CHECKED BY:	P. GREENBERG
PROJECT LEADER:	T. KNIGHT	GIRDER DETAILS 3	SHEET 82 OF 158
DESIGNED BY:	G. BOGUE		