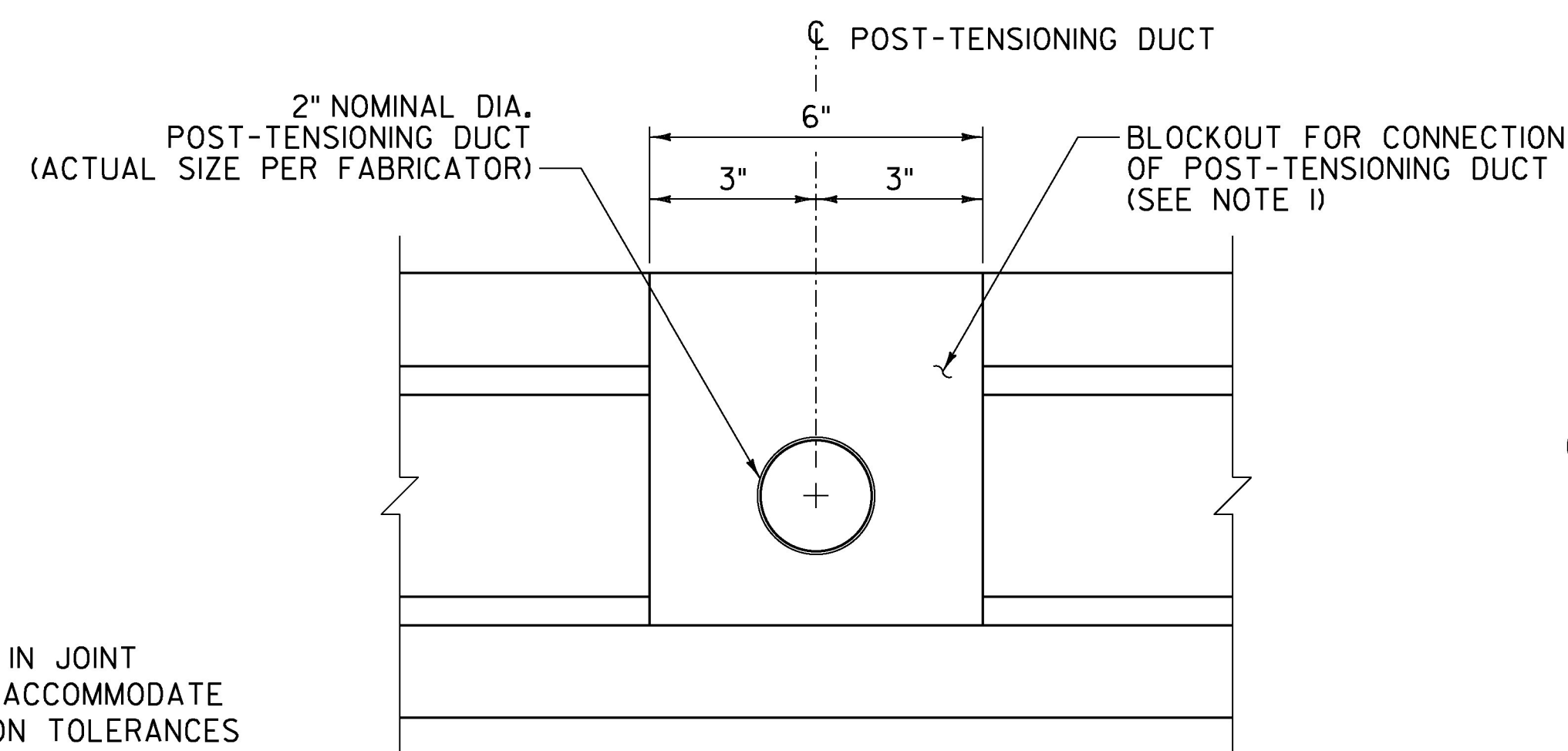
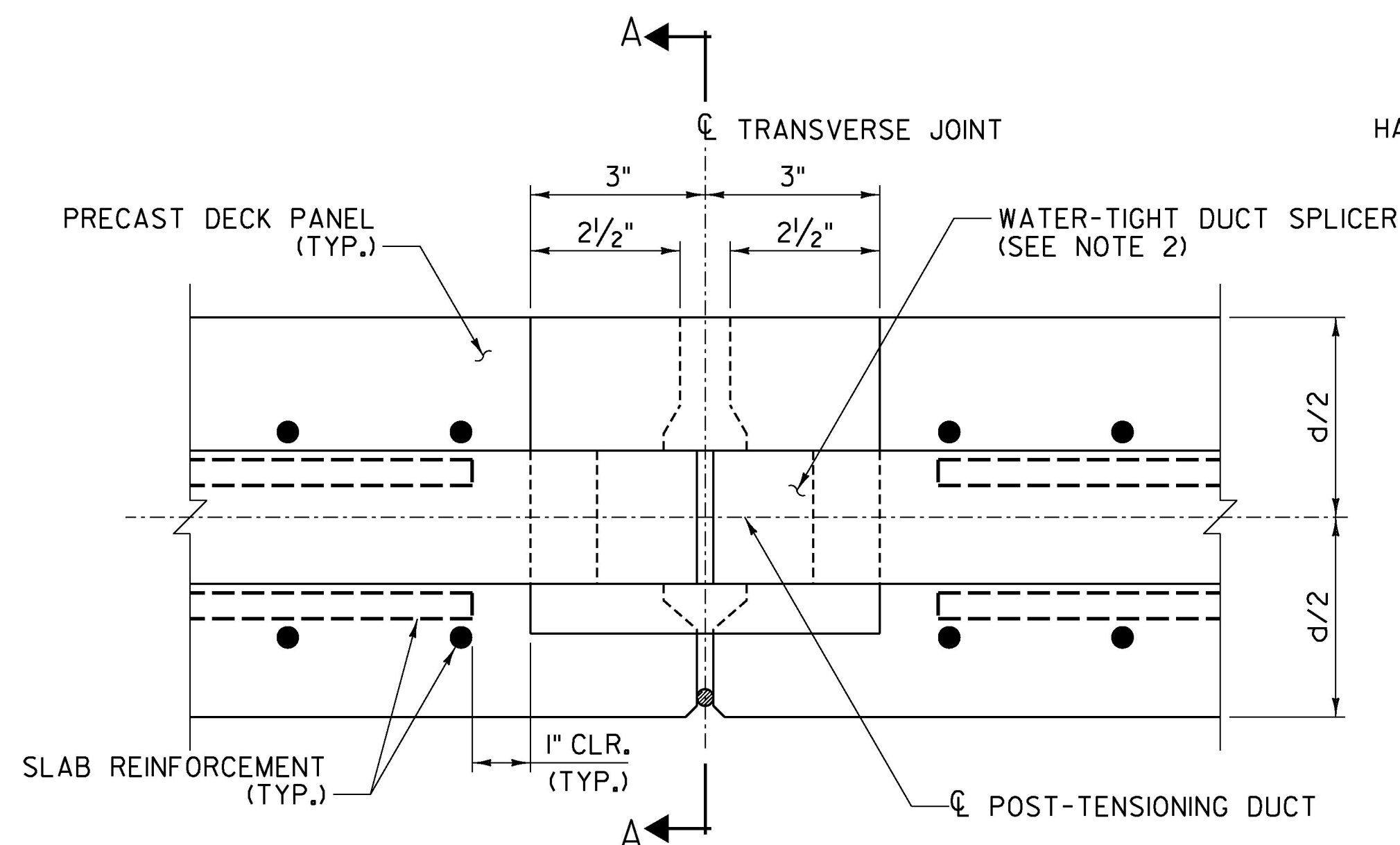


**SHEAR KEY DETAIL**  
NOT TO SCALE

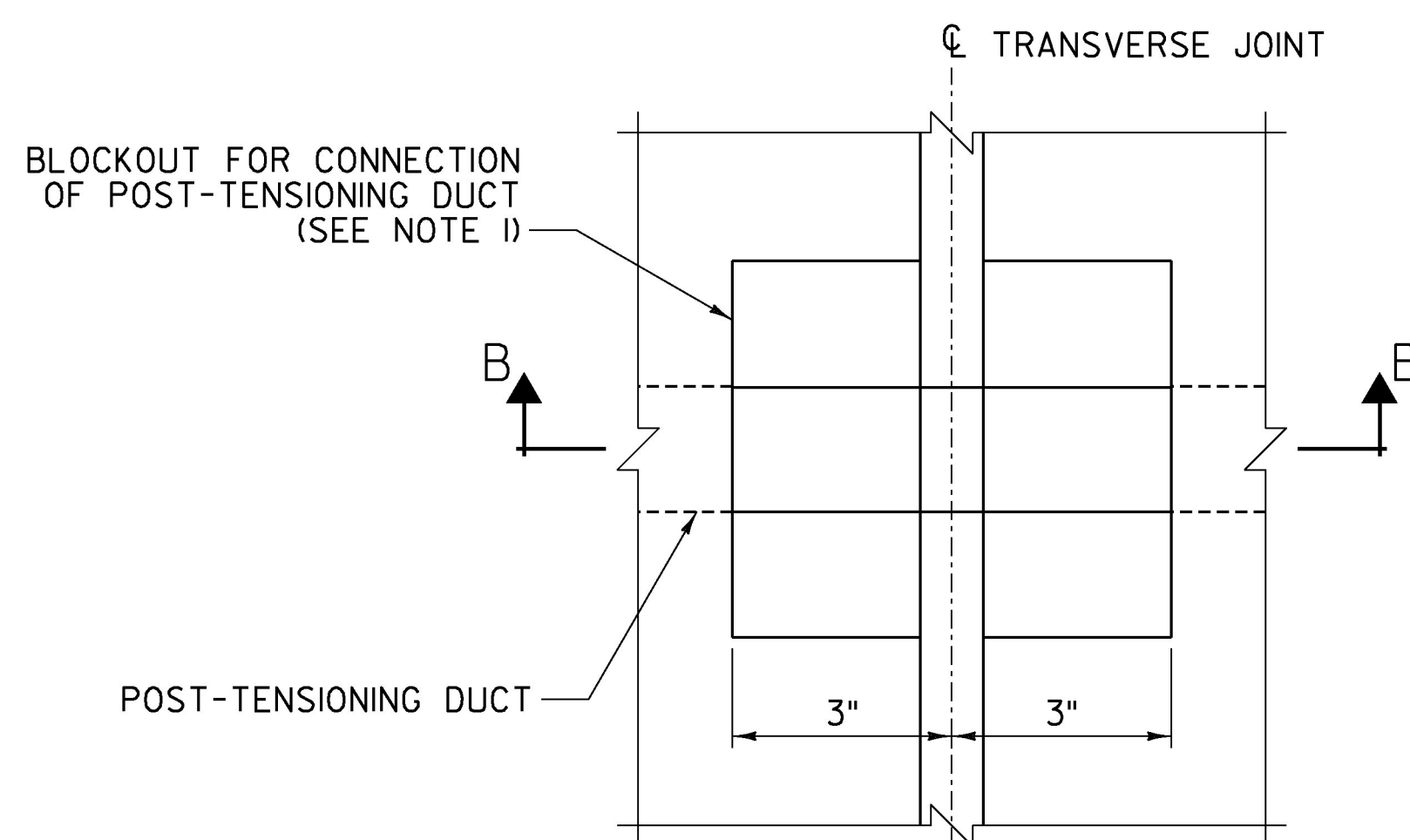


**SECTION A-A**  
NOT TO SCALE

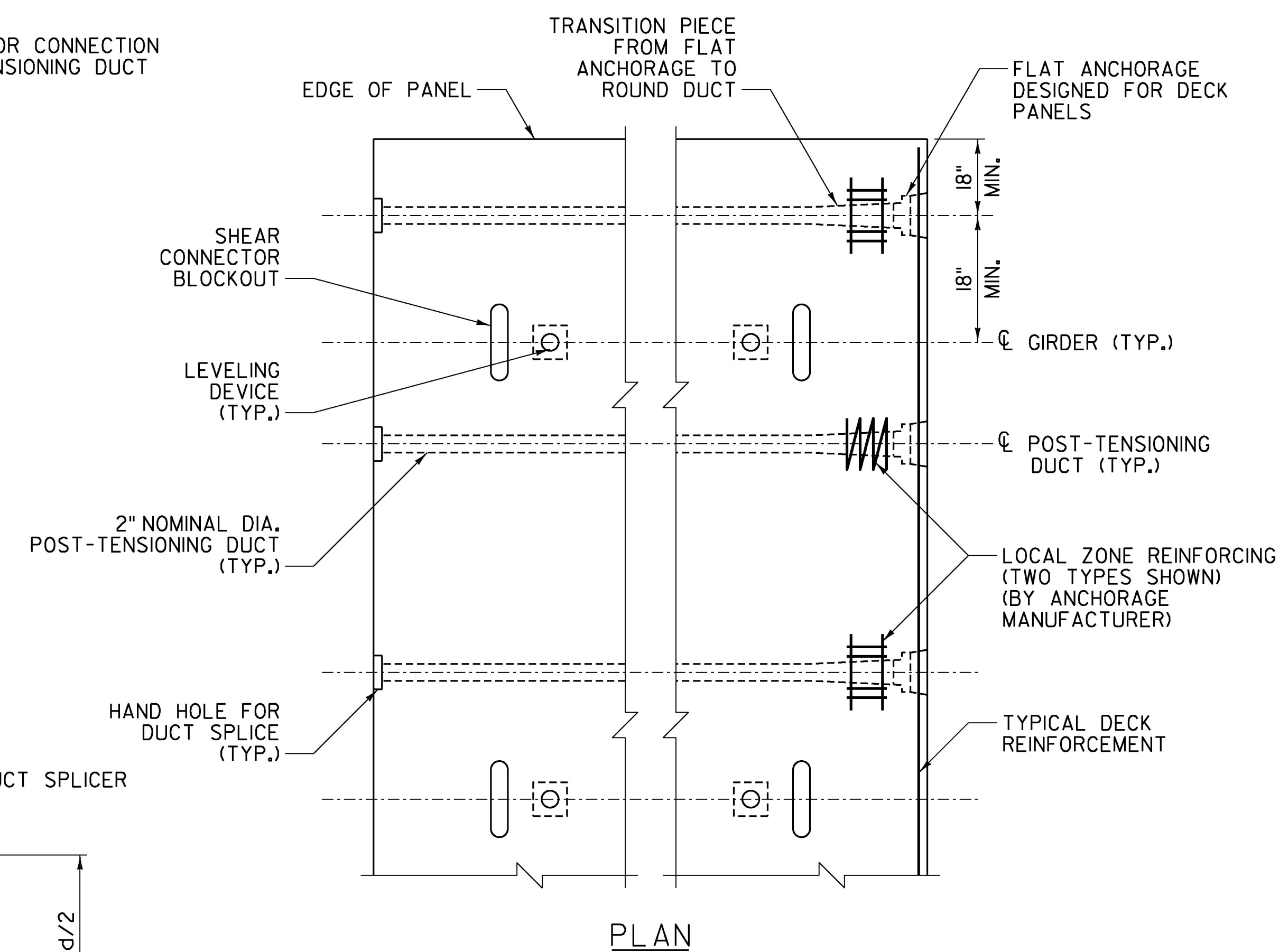
**NOTE:**  
VARIATION IN JOINT WIDTH TO ACCOMMODATE FABRICATION TOLERANCES WHEN ERECTING PANELS.



**SECTION B-B**  
**TRANSVERSE DECK JOINT**  
**AT POST-TENSIONING DUCT**  
NOT TO SCALE



**PLAN - BLOCKOUT FOR POST-TENSIONING DUCT**  
NOT TO SCALE



**POST TENSION ANCHORAGE DETAILS**  
NOT TO SCALE

**NOTES:**

1. FILL HANDHOLE WITH NON-SHRINK GROUT SIMULTANEOUSLY WITH THE TRANSVERSE SHEAR KEYS.
2. IT IS OF EXTREME IMPORTANCE TO MAKE THESE CONNECTIONS 100% WATER-TIGHT IN ORDER TO PREVENT MORTAR ENTERING THE POST-TENSIONING DUCTS WHEN IT IS PLACED IN THE TRANSVERSE JOINTS AS WELL AS TO AVERT MORTAR FROM ESCAPING THE DUCTS DURING THEIR SUBSEQUENT GROUTING WITH MORTAR.
3. SEE DECK DETAILS 3 SHEET FOR PRECAST DECK PANEL TOLERANCES AND CONSTRUCTION SEQUENCE NOTES.

PROJECT NAME: EAST MONTPELIER  
PROJECT NUMBER: BRF 037-(17)

FILE NAME: z98b252BRrInf.dgn  
PROJECT LEADER: T. KNIGHT  
DESIGNED BY: T. KNIGHT  
DECK DETAILS 2

PLOT DATE: 2/17/2017  
DRAWN BY: J. SOTER  
CHECKED BY: P. GREENBERG  
SHEET 77 OF 158

