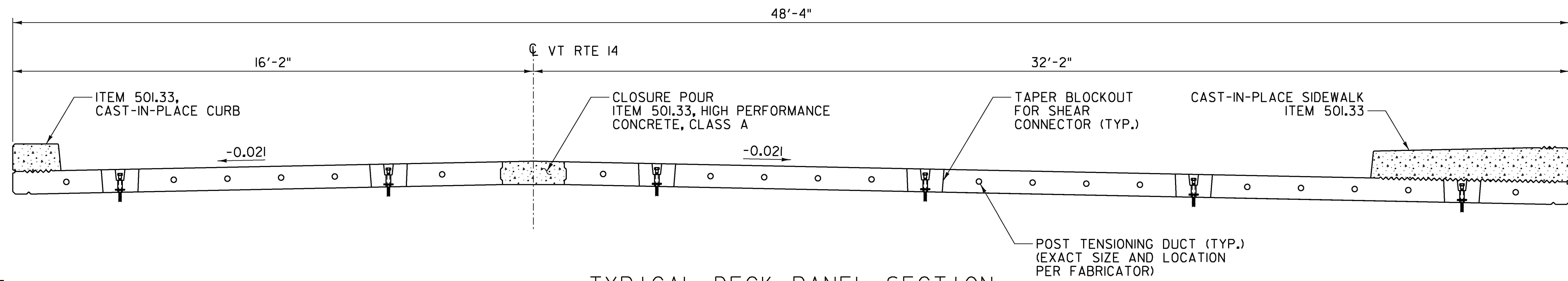
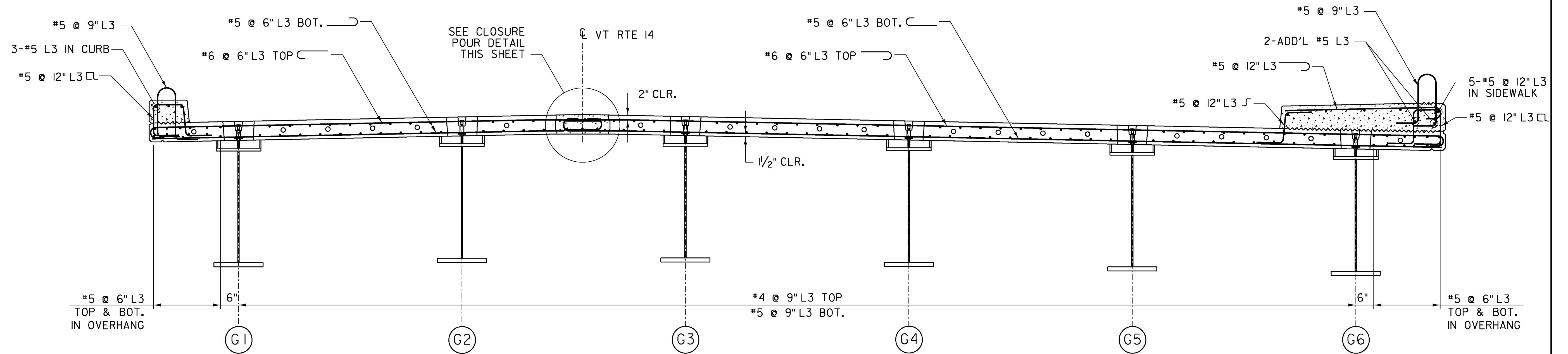


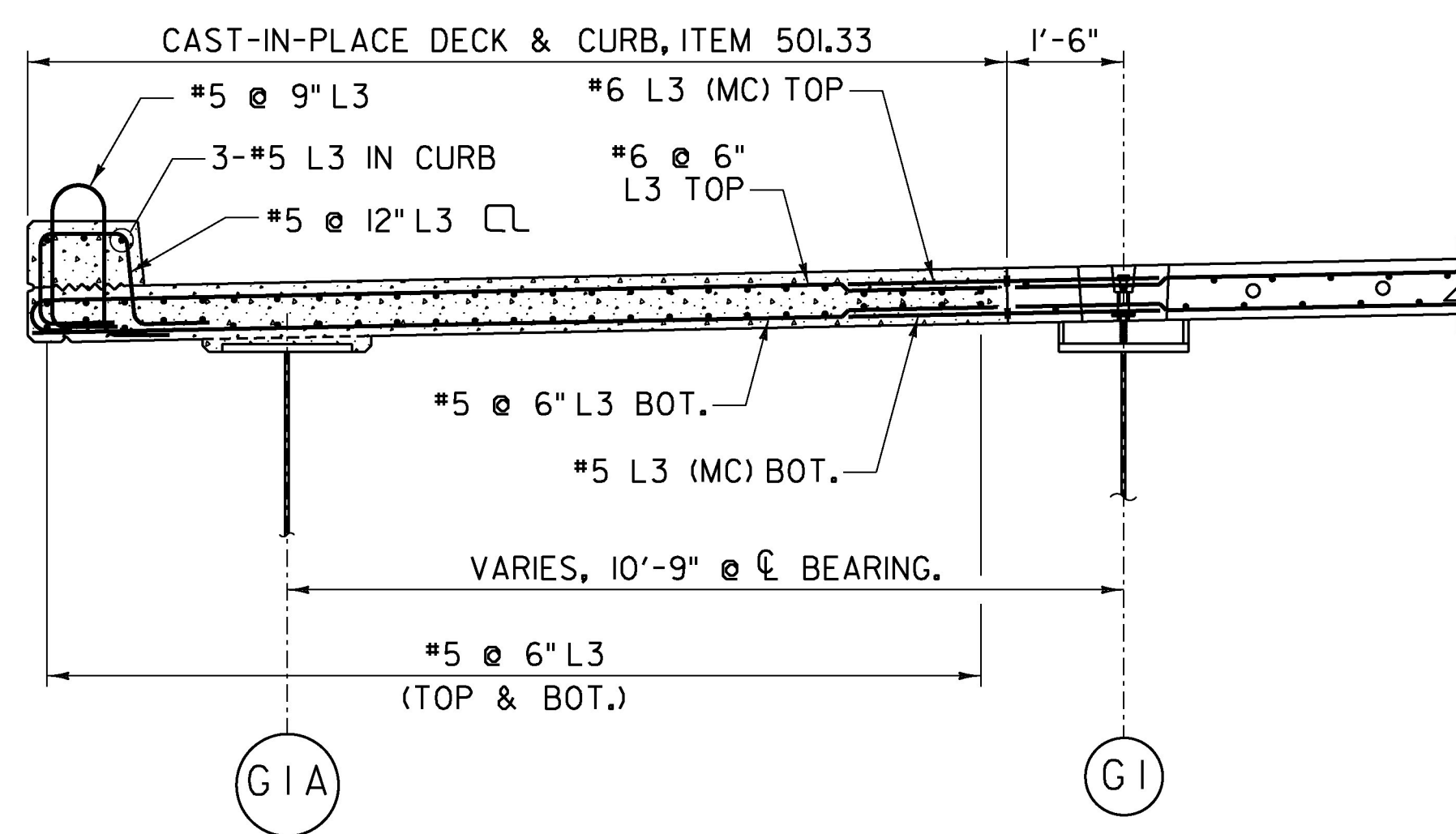
CLOSURE POUR DETAIL
NOT TO SCALE



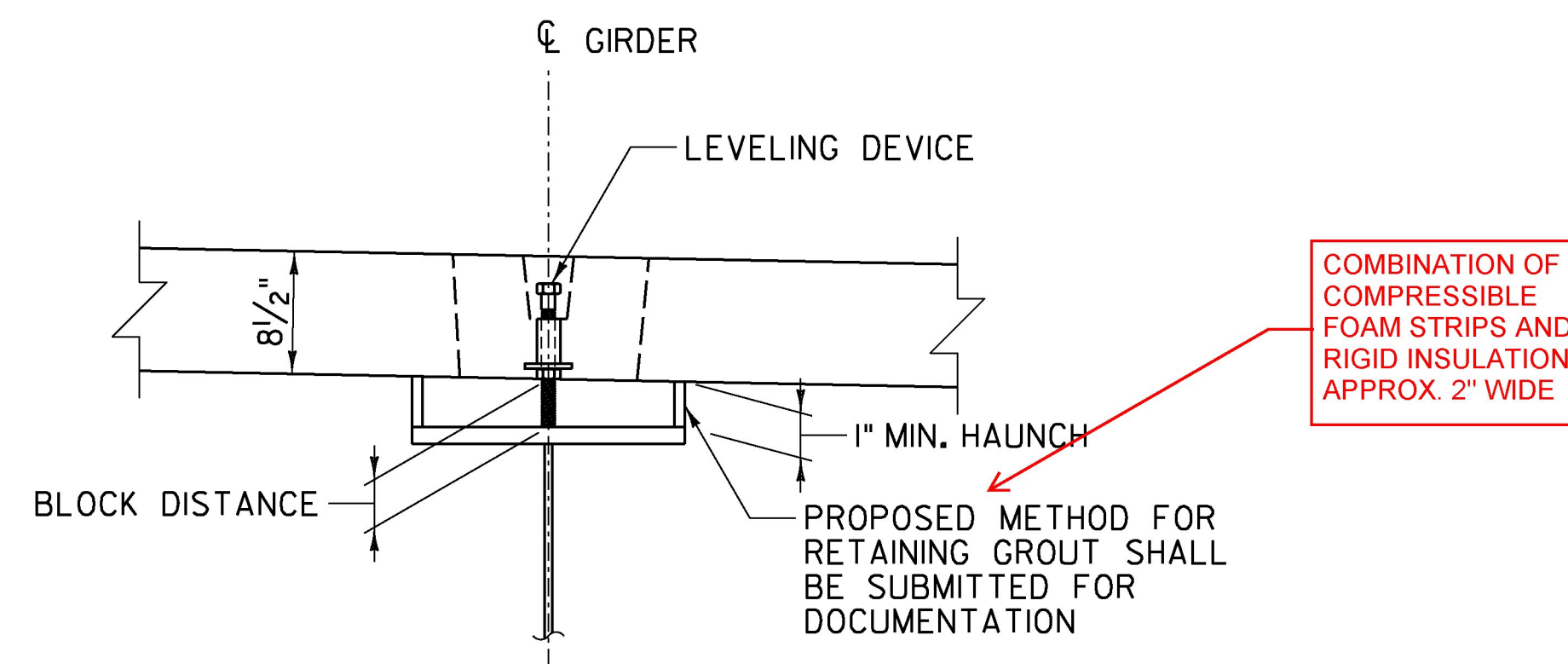
TYPICAL DECK PANEL SECTION
SCALE: 1/2" = 1'-0"



TYPICAL DECK REINFORCEMENT SECTION
SCALE: 1/2" = 1'-0"



SECTION A-A
SCALE: 1/2" = 1'-0"



NOTE: FOR GIRDER 1A HAUNCH REFER TO SD-601.00.

HAUNCH DETAIL - G1-G6
SCALE: 1" = 1'-0"

NOTES:

- FOR THE LOCATION OF SECTION A-A REFER TO THE DECK PLAN SHEET.
- FABRICATOR MAY SUBMIT ALTERNATE REINFORCEMENT DETAILS FOR APPROVAL.

LEGEND:

- NF = NEAR FACE
- FF = FAR FACE
- EF = EACH FACE
- (MC) = MECHANICAL CONNECTOR

PROJECT NAME: EAST MONTPELIER
PROJECT NUMBER: BRF 037-(17)

FILE NAME: z98b252BRreInf.dgn
PROJECT LEADER: T. KNIGHT
DESIGNED BY: T. KNIGHT
DECK DETAILS I

PLOT DATE: 2/17/2017
DRAWN BY: J. SOTER
CHECKED BY: P. GREENBERG
SHEET 76 OF 158

