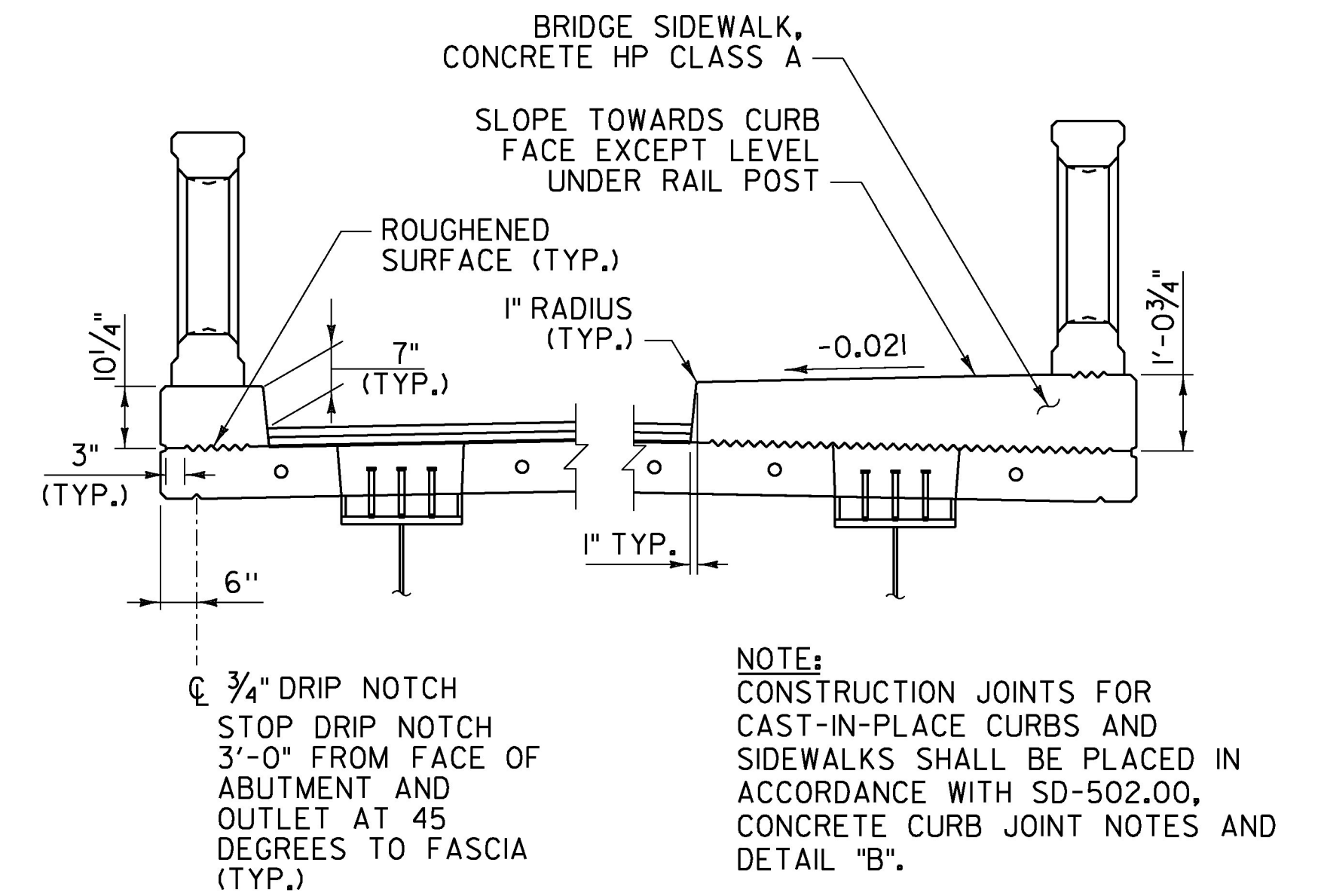


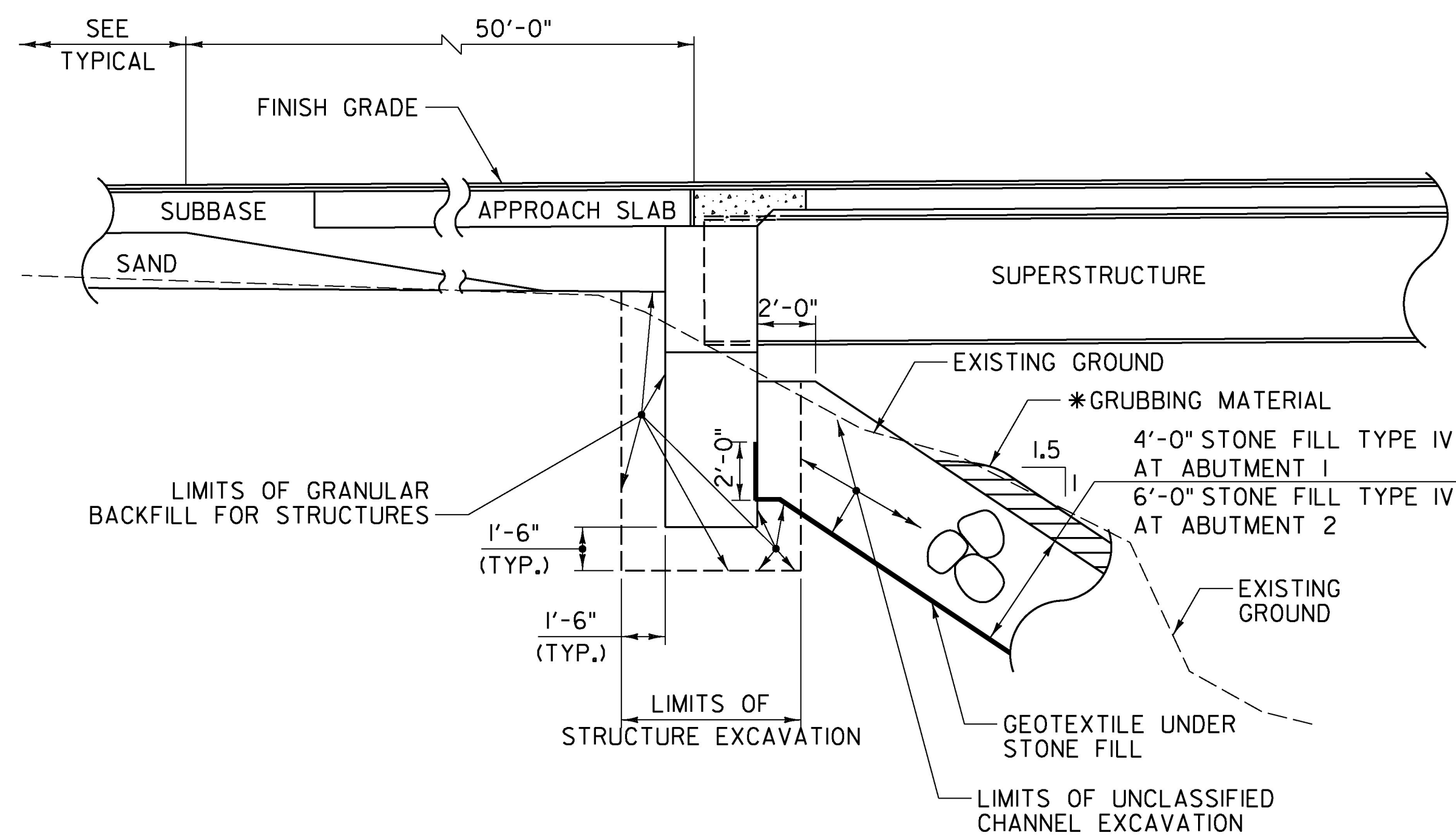
** OVERHANG WIDTH VARIES FROM STA 129+23.84 LT TO STA 129+54.79 LT AND WILL BE CAST-IN-PLACE IN THAT AREA

TYPICAL SECTION
SCALE: 3/8" = 1'-0"

NOTE: THE CONTRACTOR SHALL PREPARE THE DECK SURFACE IN ACCORDANCE WITH THE MEMBRANE MANUFACTURER'S RECOMMENDATIONS. ALL COSTS OF SURFACE PREPARATION SHALL BE INCLUDED IN ITEM 520.10, MEMBRANE WATERPROOFING, SPRAY APPLIED.

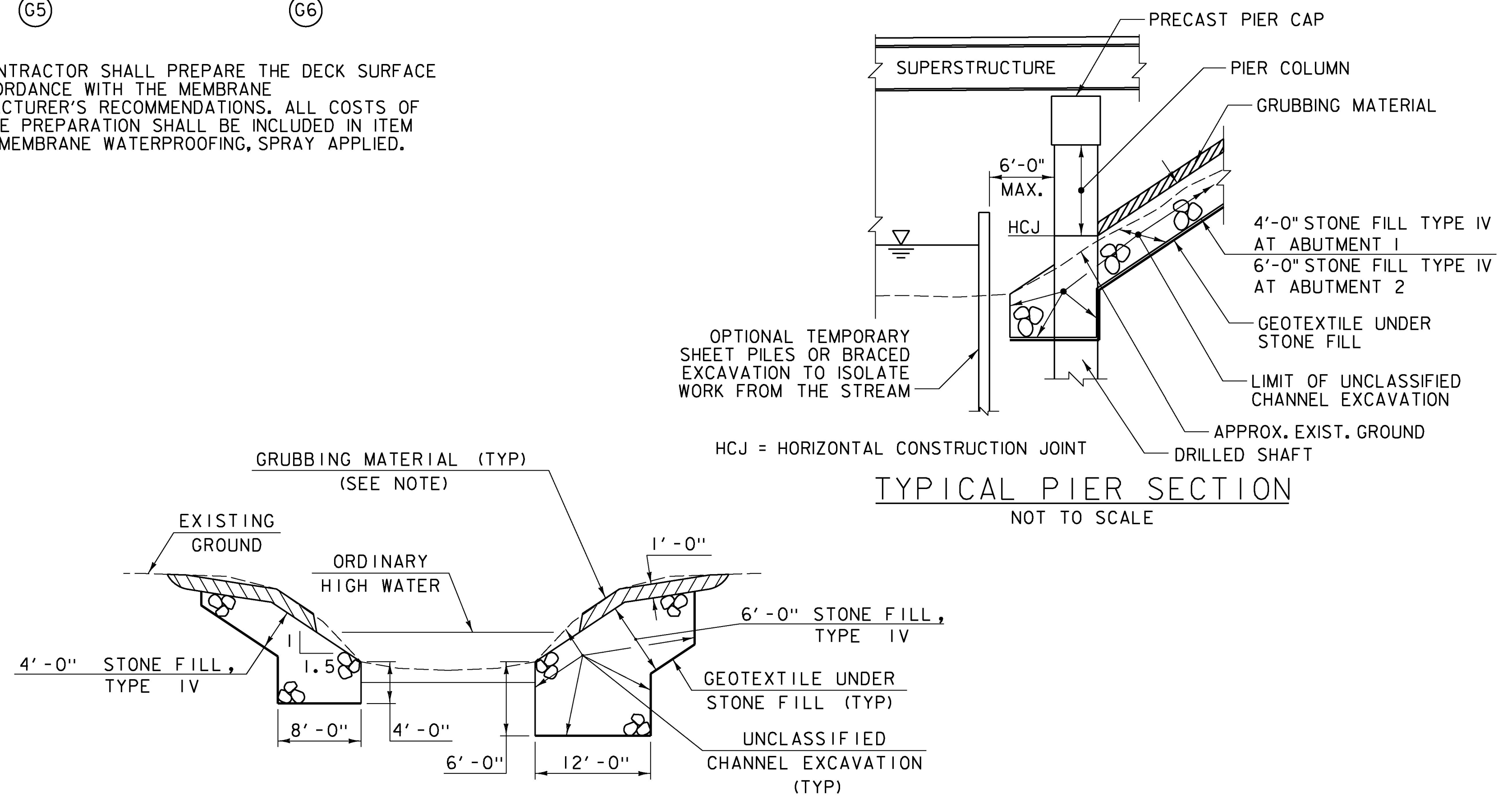


TYPICAL CURB & SIDEWALK DETAIL
SCALE: 1/2" = 1'-0"



TYPICAL EARTHWORKS PAY LIMITS
NOT TO SCALE

*NO GRUBBING WHERE CLEAR HEIGHT TO SUPERSTRUCTURE IS LESS THAN 6 FEET



TYPICAL CHANNEL SECTION
(NOT TO SCALE)

NOTE: WHENEVER CHANNEL SLOPE INTERSECTS ROADWAY SUBBASE, GRUBBING MATERIAL SHALL BEGIN AT THE BOTTOM OF SUBBASE.

PROJECT NAME: EAST MONTPELIER
PROJECT NUMBER: BRF 037-(17)

FILE NAME: z98b252BR+yp.dgn
PROJECT LEADER: T. KNIGHT
DESIGNED BY: N. TIRK
TYPICAL SECTION AND DETAILS

PLOT DATE: 2/17/2017
DRAWN BY: J. SOTER
CHECKED BY: T. KNIGHT
SHEET 65 OF 158

