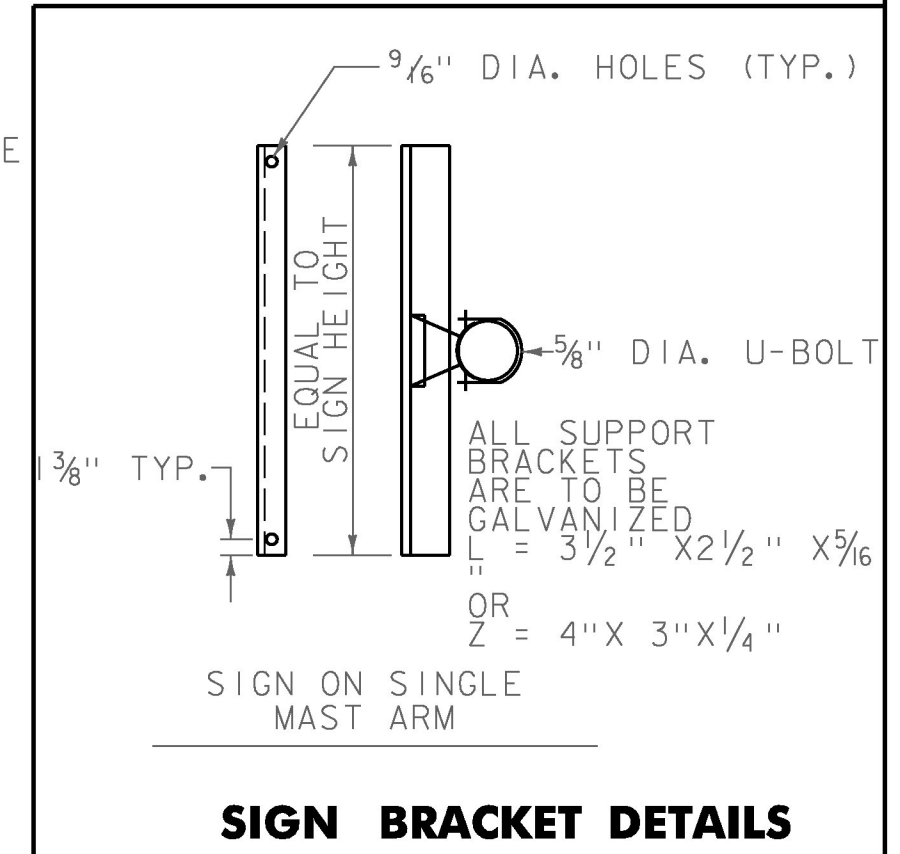
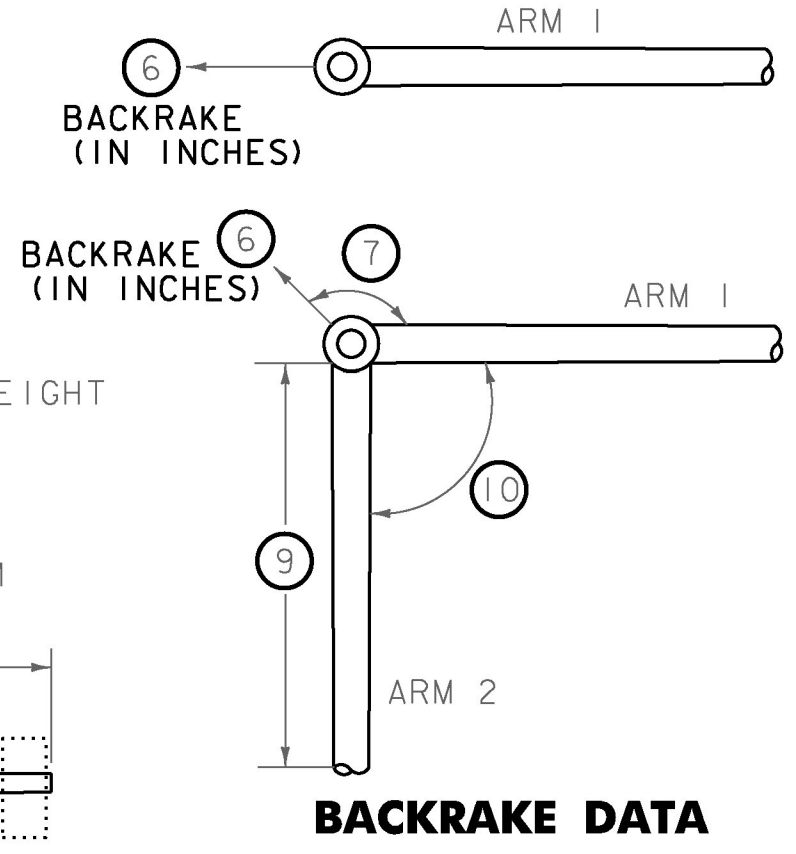
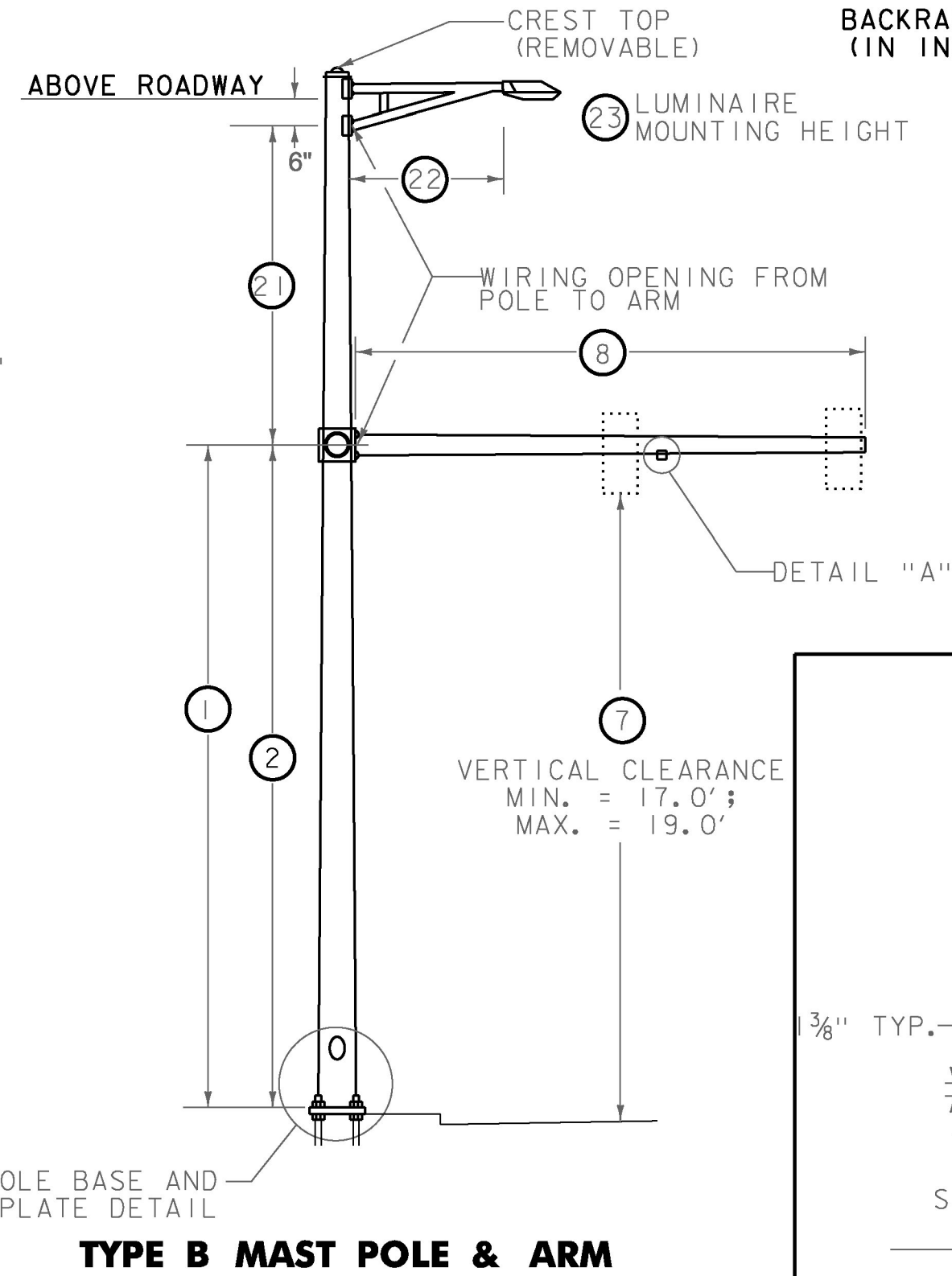
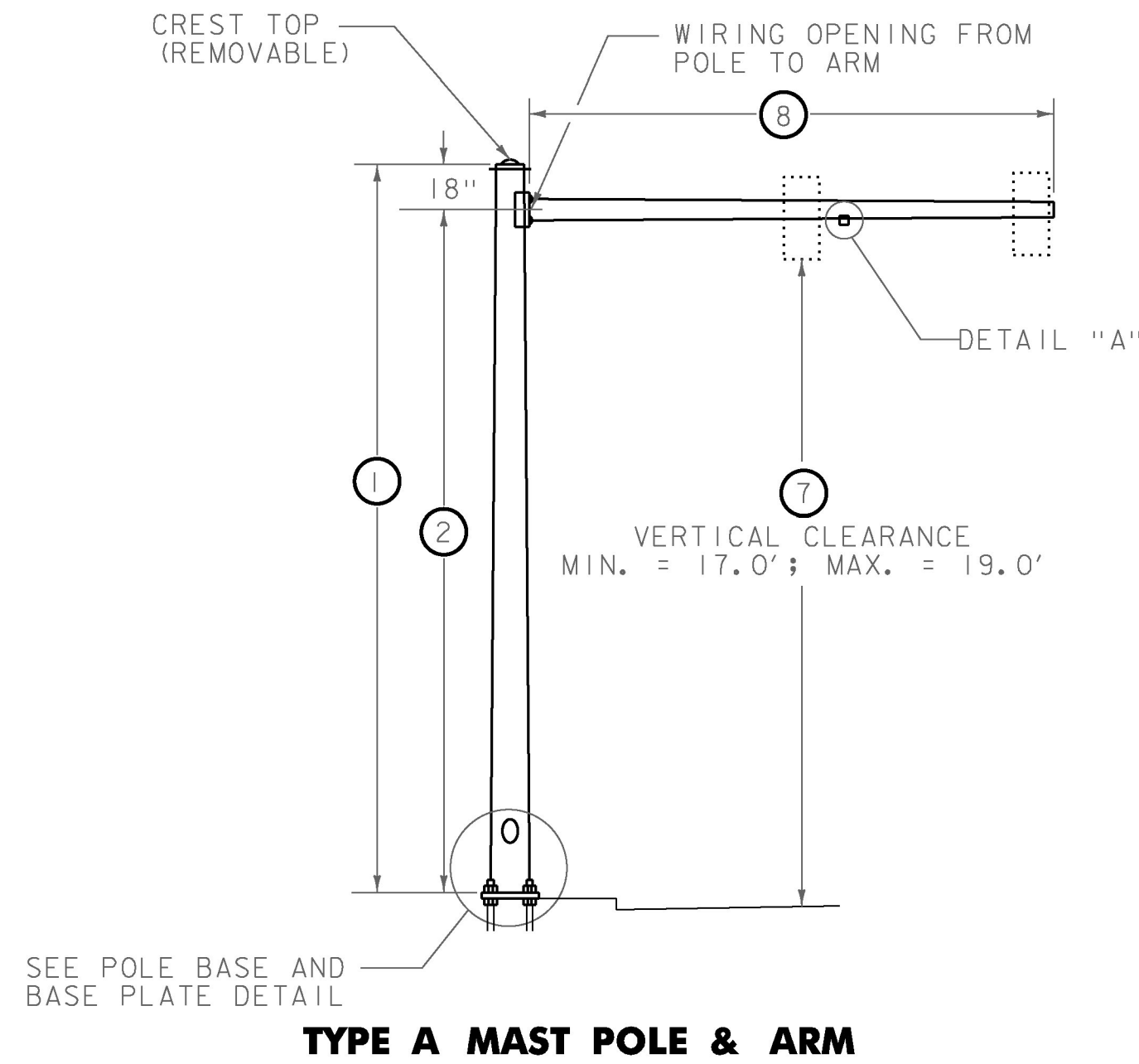


# MAST ARM, POLE & FOOTING DETAILS

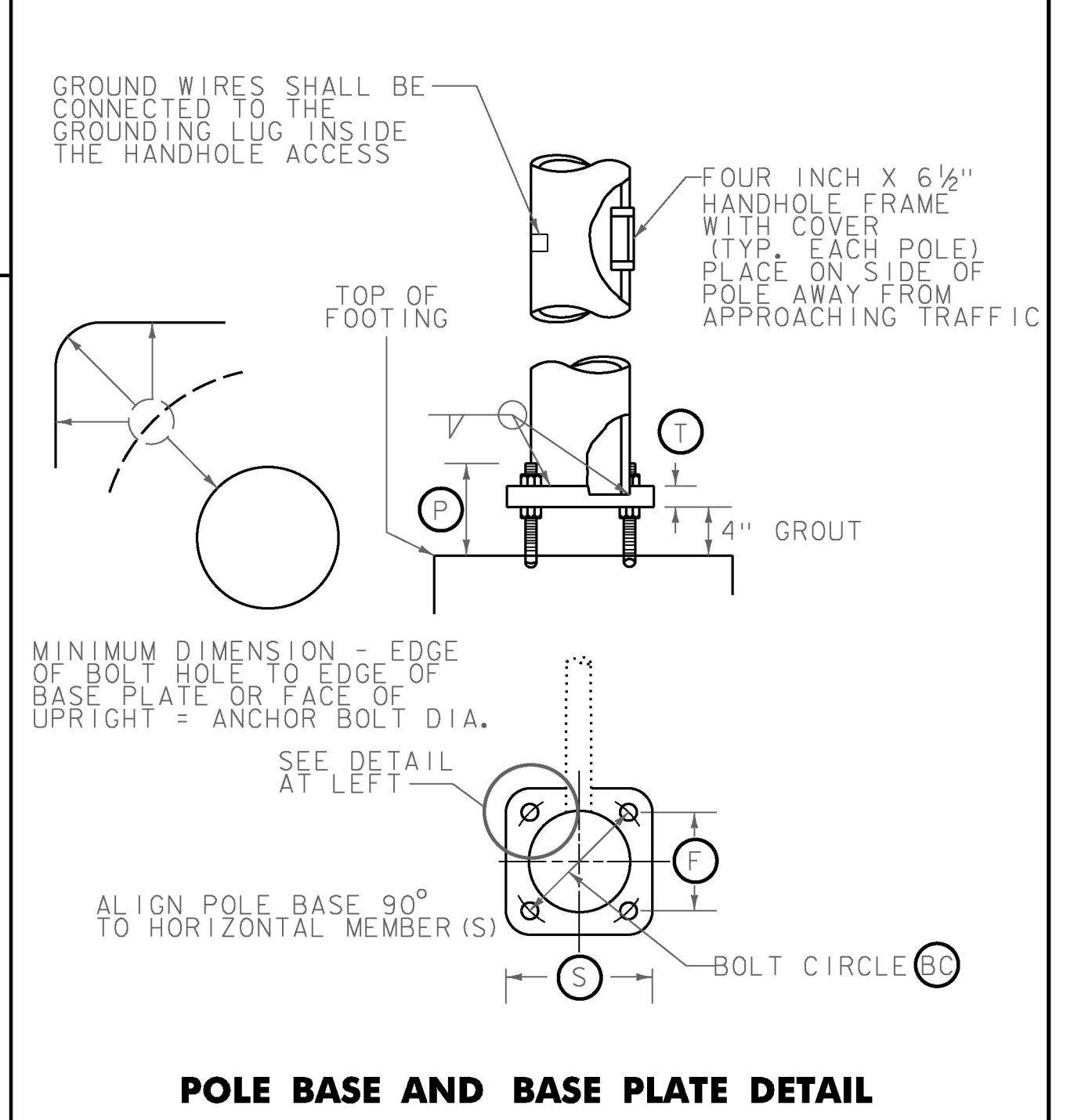
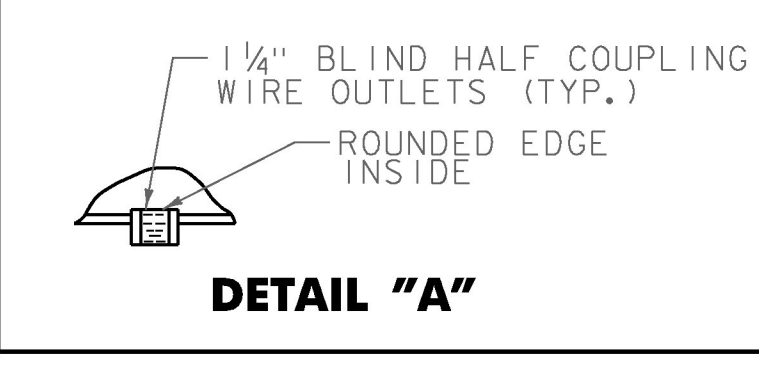
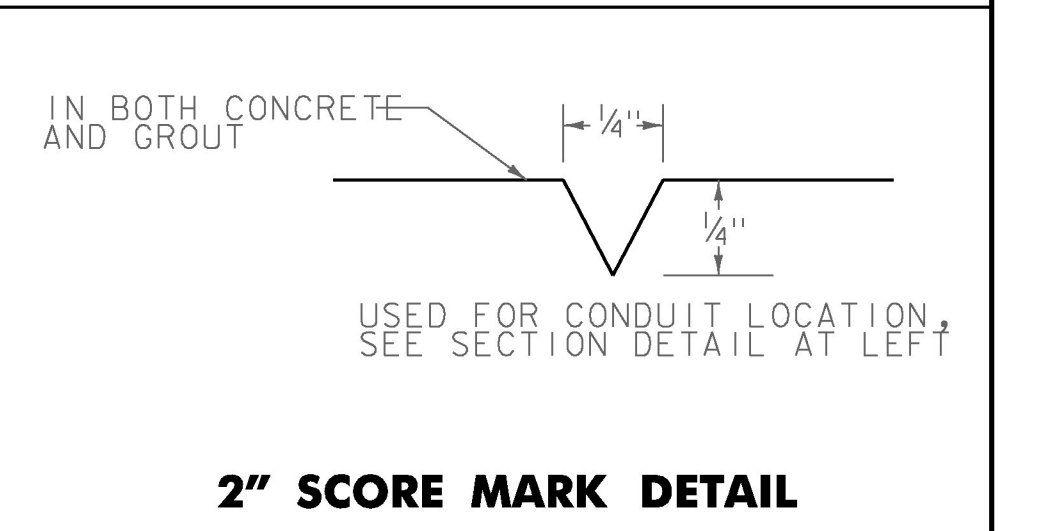
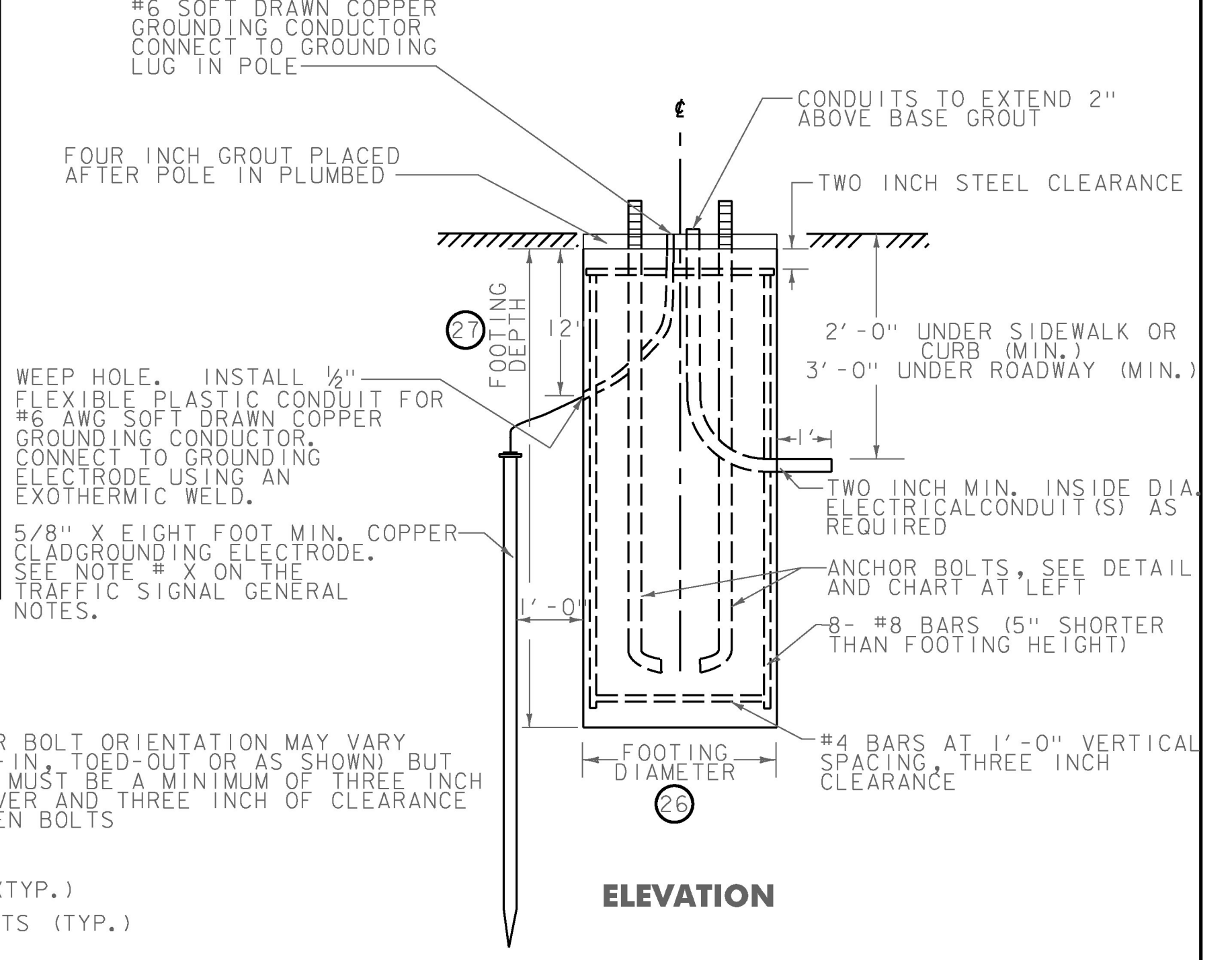
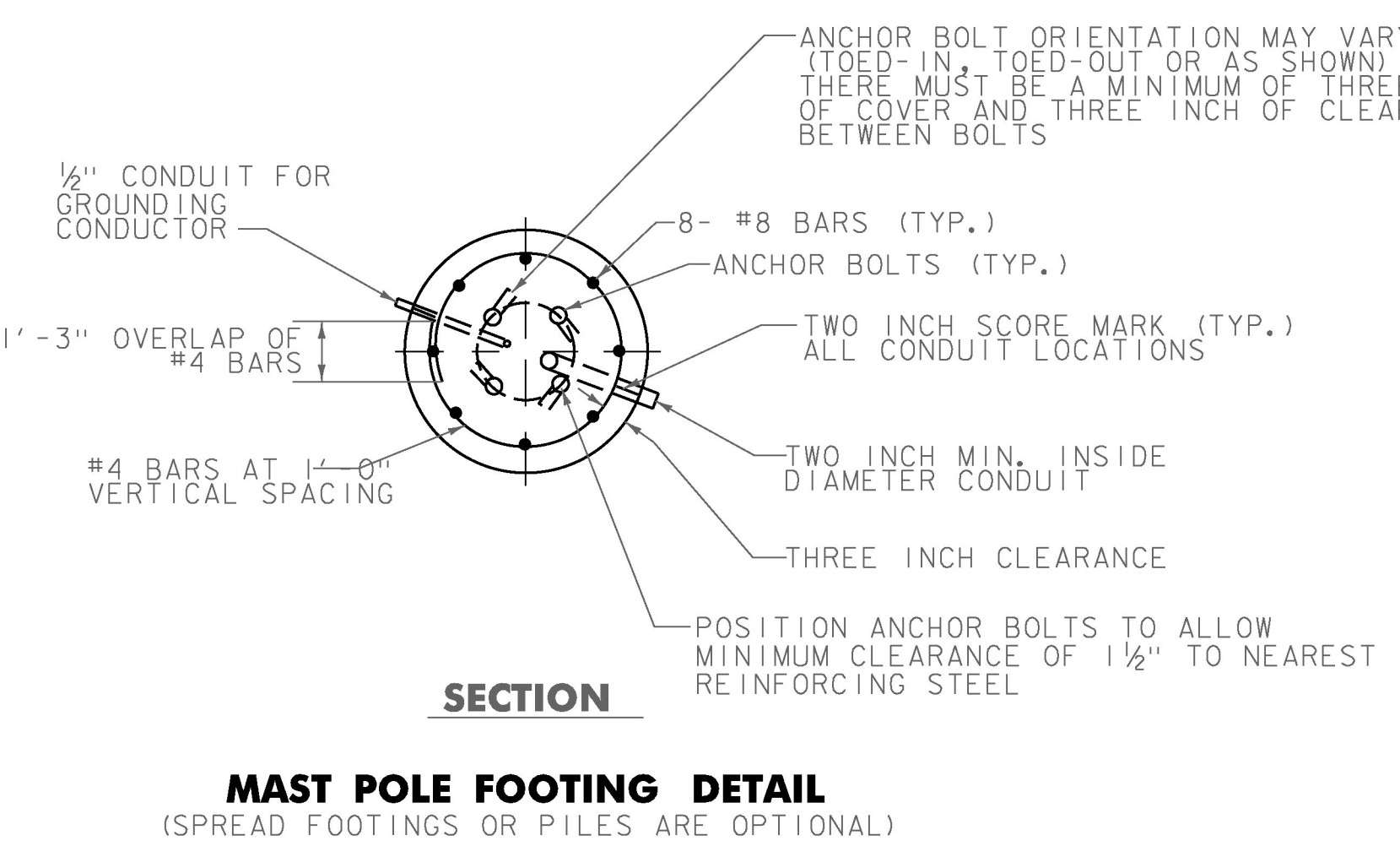


- NOTES**
- SEE TRAFFIC SIGNAL GENERAL NOTES FOR ADDITIONAL INFORMATION.
  - MANUFACTURER TO DETERMINE TYPE OF STRUCTURE REQUIRED.
  - MONOTUBES SHALL NOT BE USED FOR SIGNS OVER 10' HIGH.
  - MINIMUM CLEARANCE FROM SIGNS TO ANY TRAVEL LANE SHALL BE 17'.
  - CONTRACTOR SHALL VERIFY ALL GROUND ELEVATIONS.
  - LUMINAIRES, ALL ASSOCIATED EQUIPMENT AND LABOR TO INSTALL SHALL BE PAID FOR UNDER CONTRACT ITEM NOS. 679.47 AND 679.50.

**ANCHOR BOLT DETAIL**

SIZE	L (in.)	T (in.)
1 1/4" x 48"	42	8
1 1/2" x 60"	54	9
1 3/4" x 90"	84	9
2" x 96"	96	9

4" X 4" X 1" PLATE  
INTERRUPTED THREADS  
1 1/4" - 1 3/4" BOLT  
2" ANCHOR BOLT ONLY  
END DETAIL



PROJECT NAME: EAST MONTPELIER  
 PROJECT NUMBER: BRF 037-(117)  
 FILE NAME: 26b\_Mast arm details.dgn PLOT DATE: 2/17/2017  
 PROJECT LEADER: T. KNIGHT DRAWN BY: S. NEELY  
 DESIGNED BY: D. DEBAIE CHECKED BY: K. RICHARDSON  
 MAST ARM DETAILS MAD I SHEET 61 OF 158

