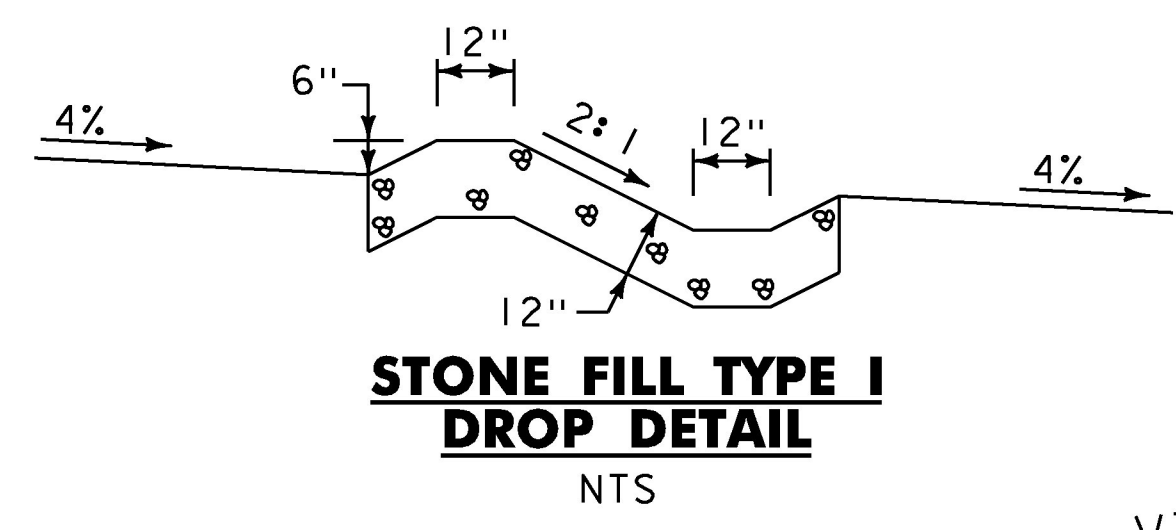
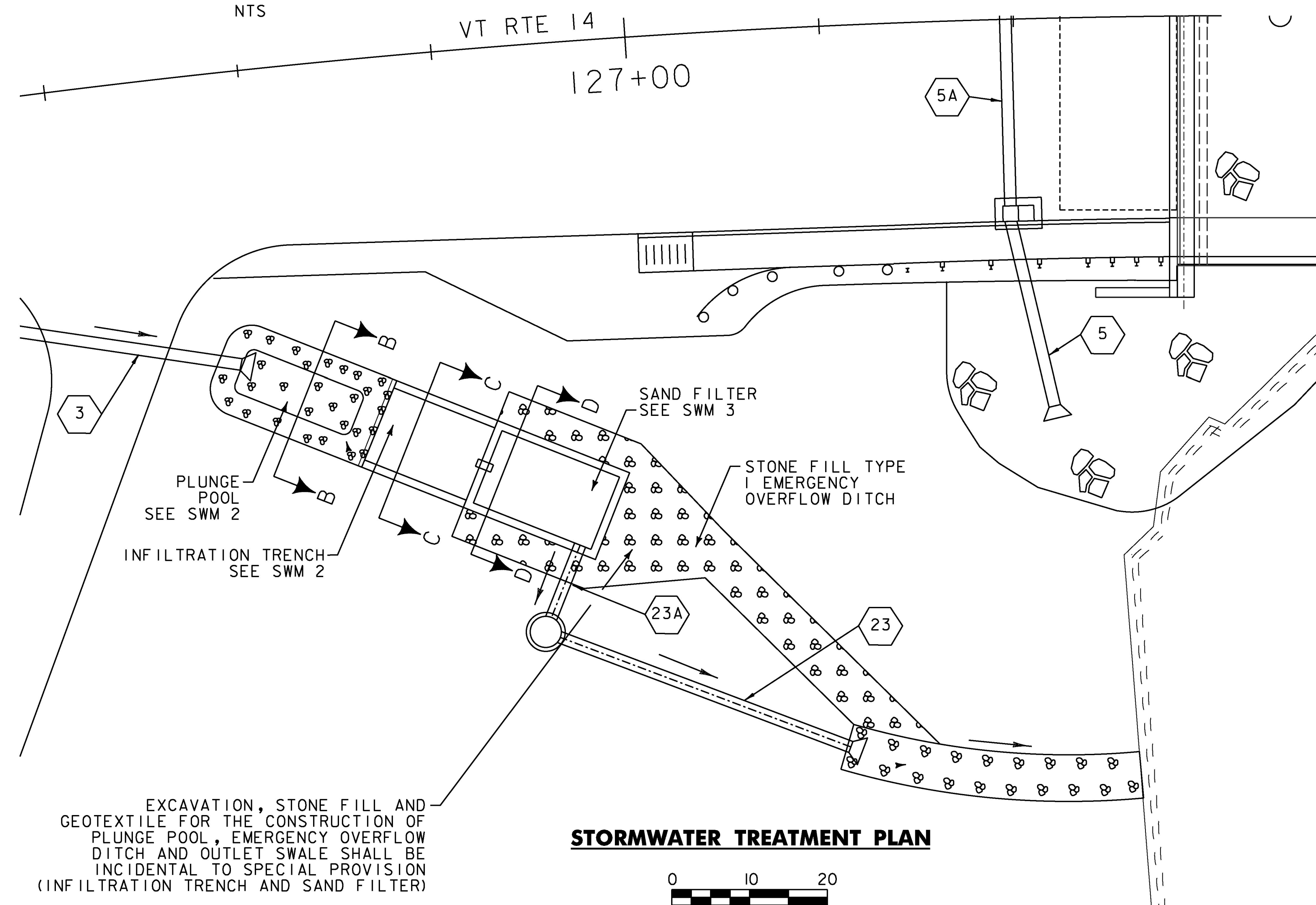


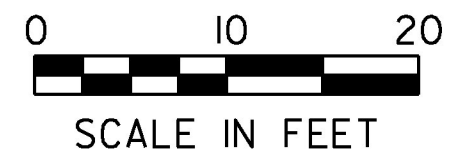
STORMWATER TREATMENT PROFILE



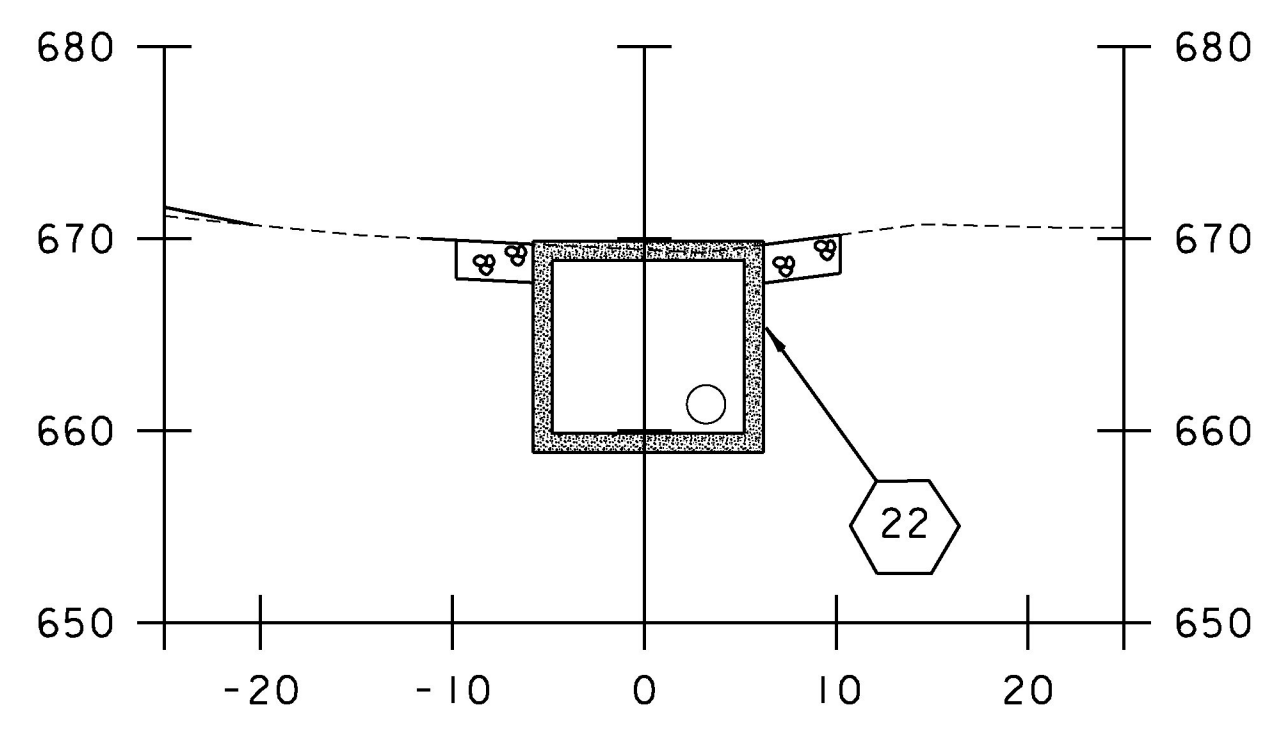
STONE FILL TYPE I DROP DETAIL



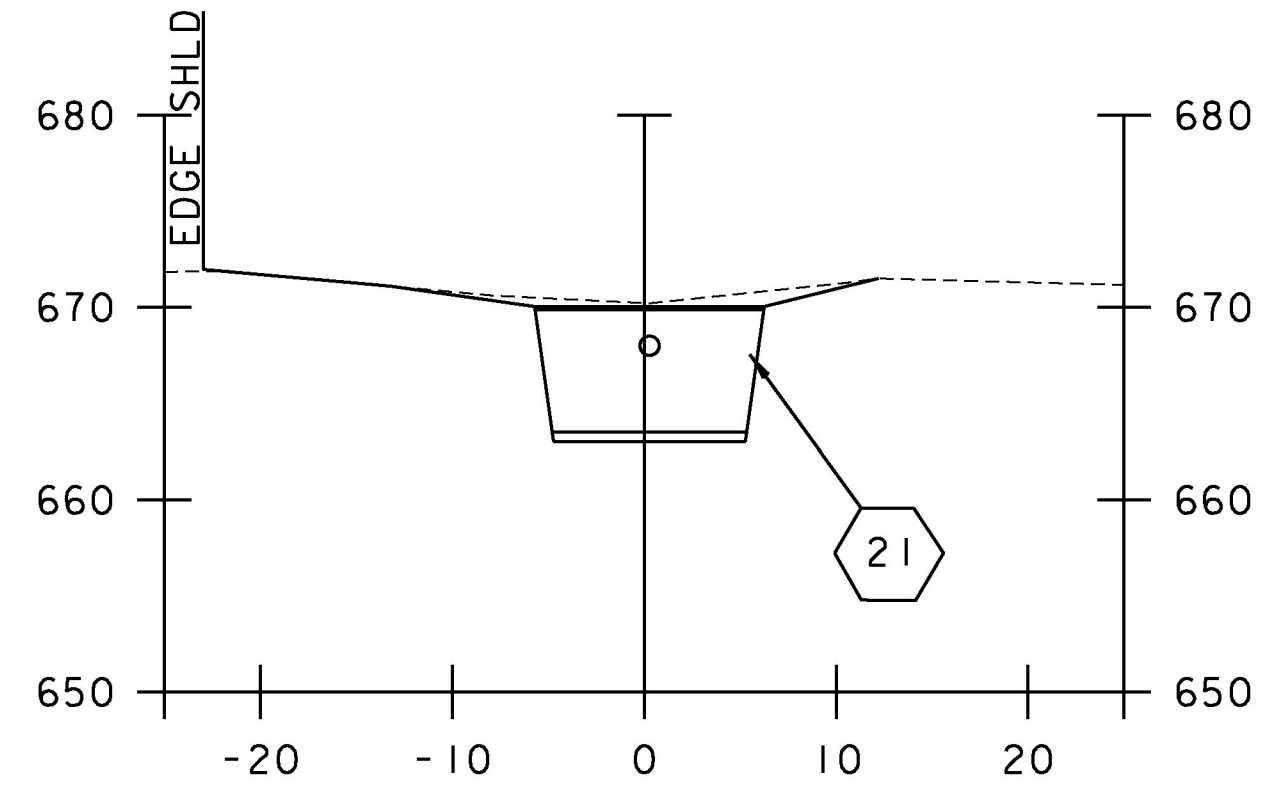
STORMWATER TREATMENT PLAN



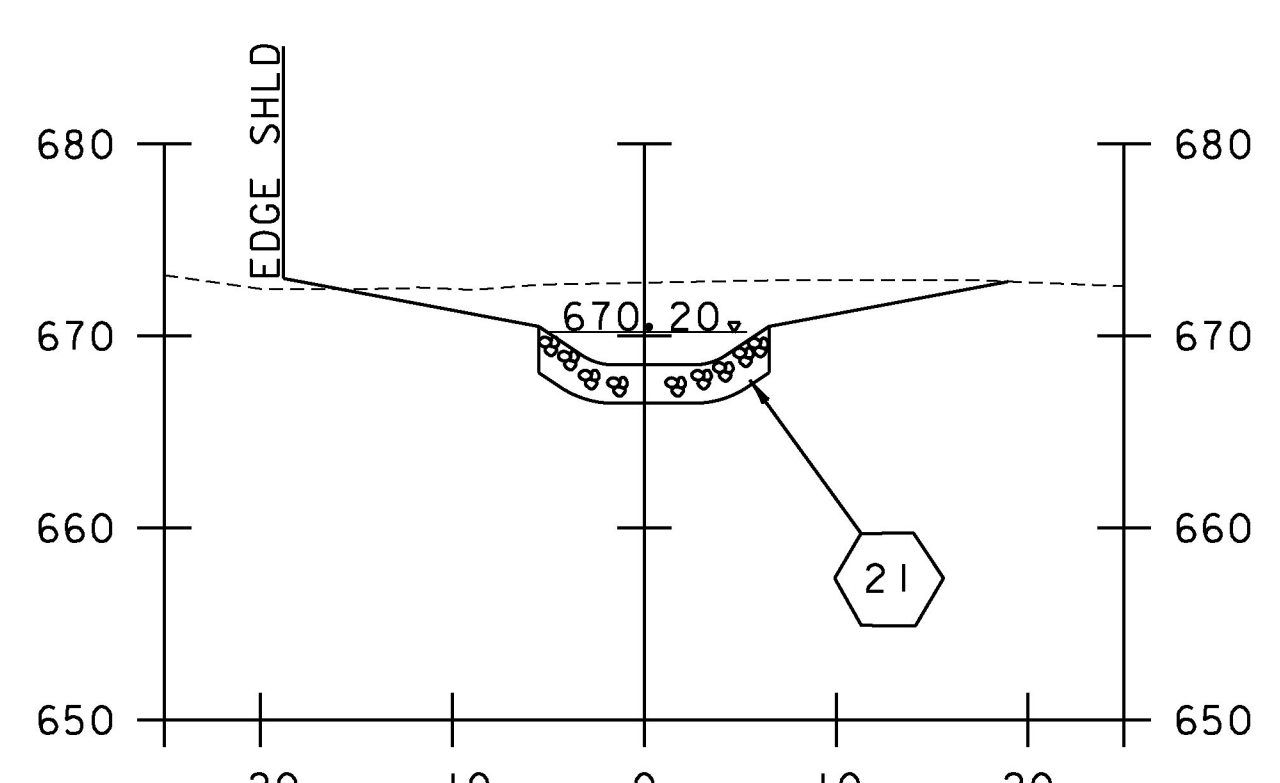
SCALE IN FEET



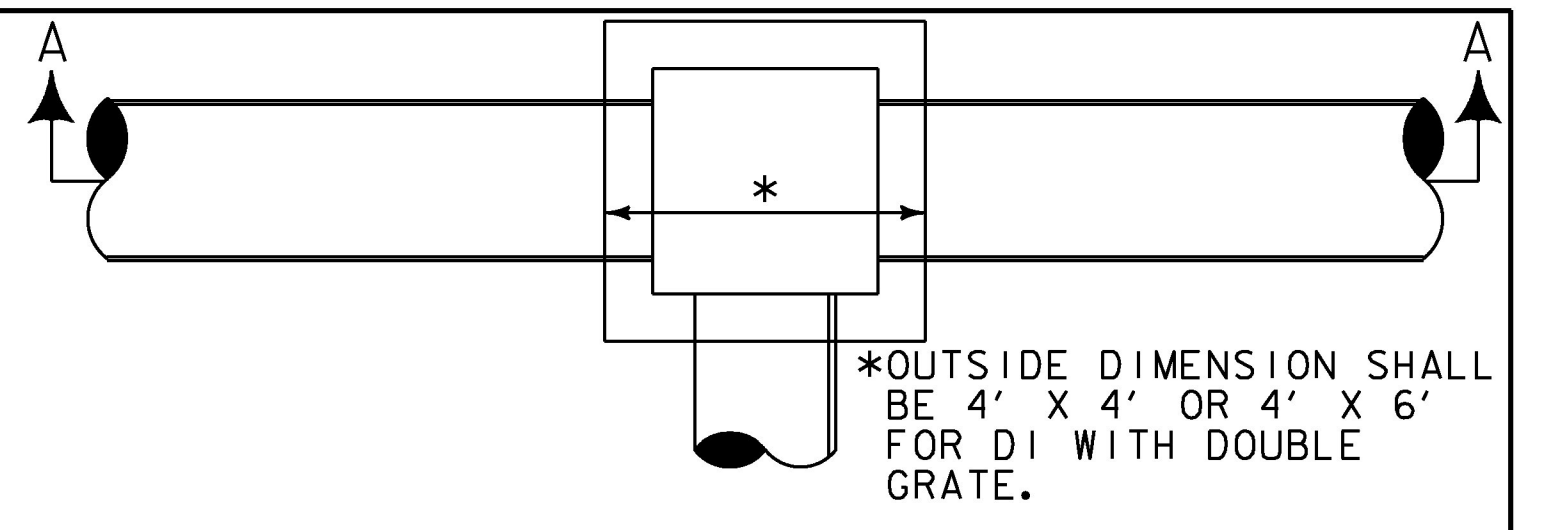
SECTION D-D



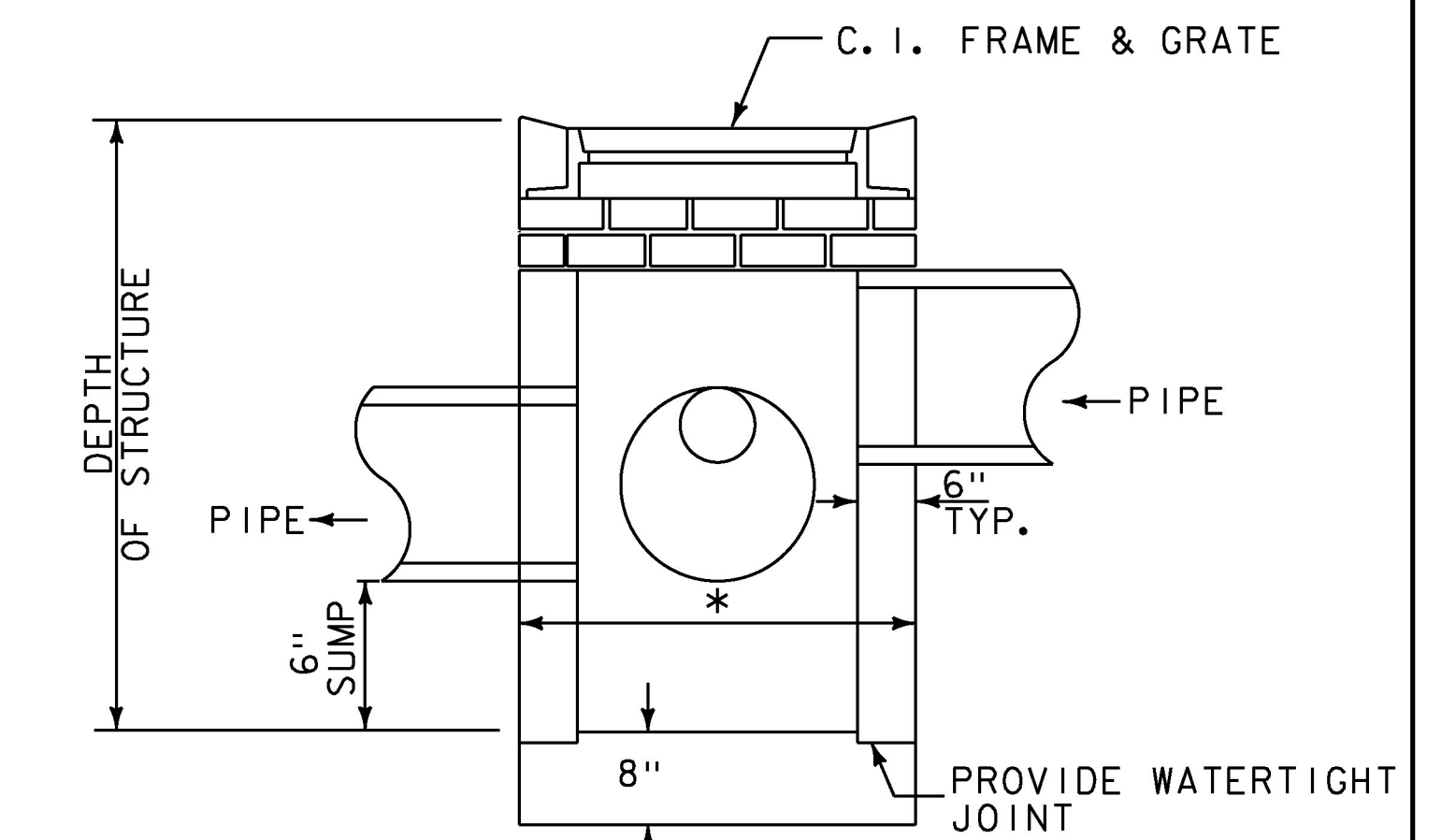
SECTION C-C



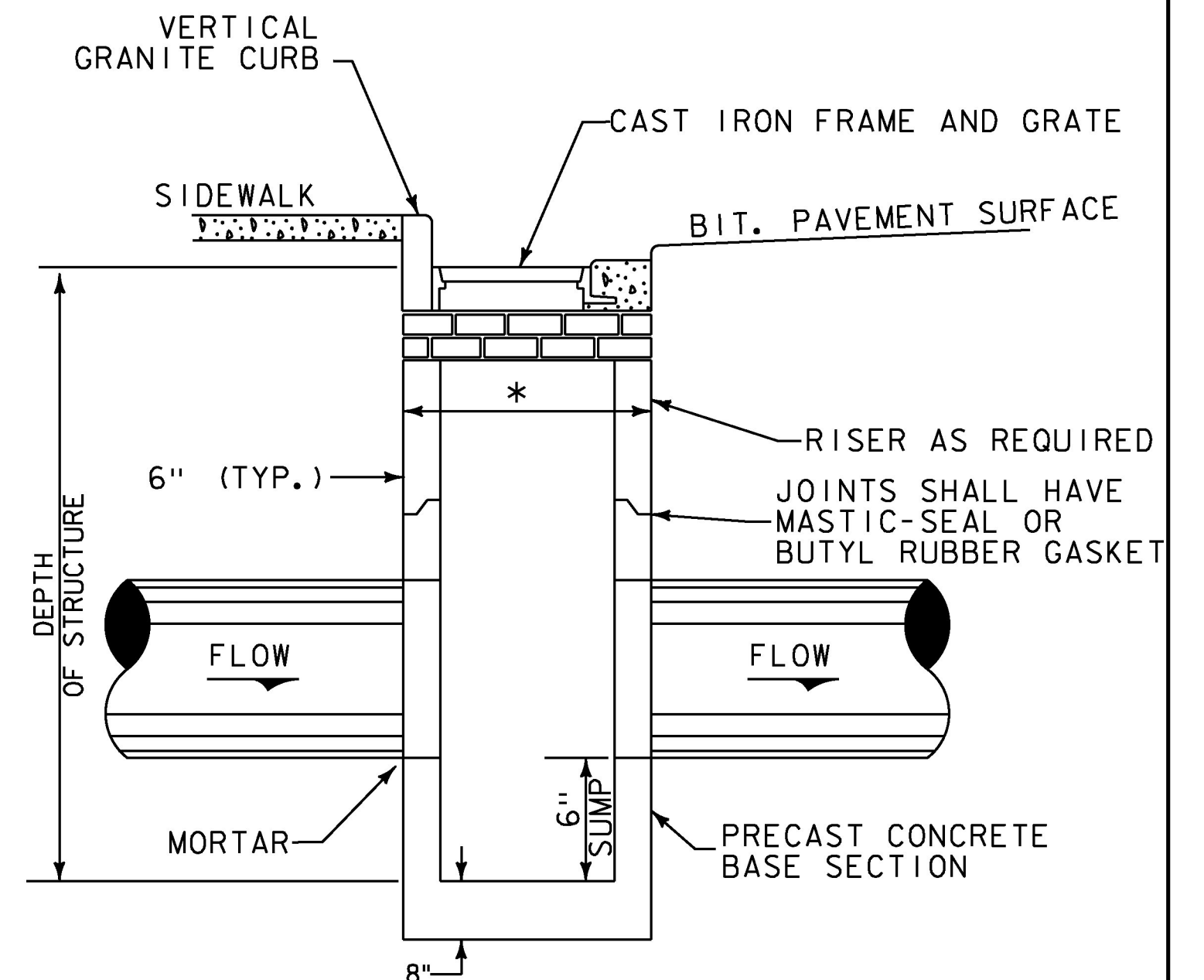
SECTION B-B



PLAN VIEW FOR PRECAST REINFORCED CONCRETE DROP INLET IN DITCHES & ROADWAY
NOT TO SCALE



TYPICAL PRECAST DROP INLET IN DITCHES (SECTION A-A)
NOT TO SCALE



TYPICAL PRECAST DROP INLET IN ROADWAY (SECTION A-A)
NOT TO SCALE

PROJECT NAME:	EAST MONTPELIER
PROJECT NUMBER:	BRF 037-(17)
FILE NAME:	20_Strm Mana.dgn
DESIGNED BY:	K. RICHARDSON
STORMWATER MGMT DETAILS SWM 1	
PLOT DATE:	2/17/2017
DRAWN BY:	E. ALLING
CHECKED BY:	G. GOYETTE
SHEET	39 OF 158

