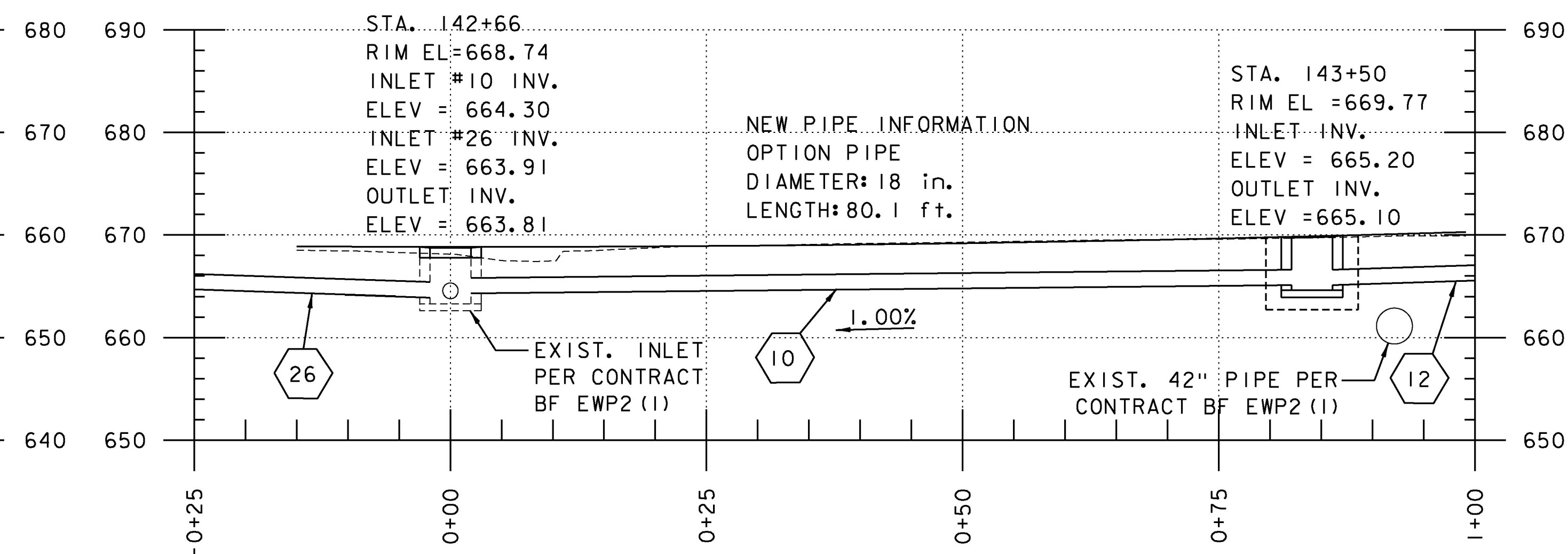
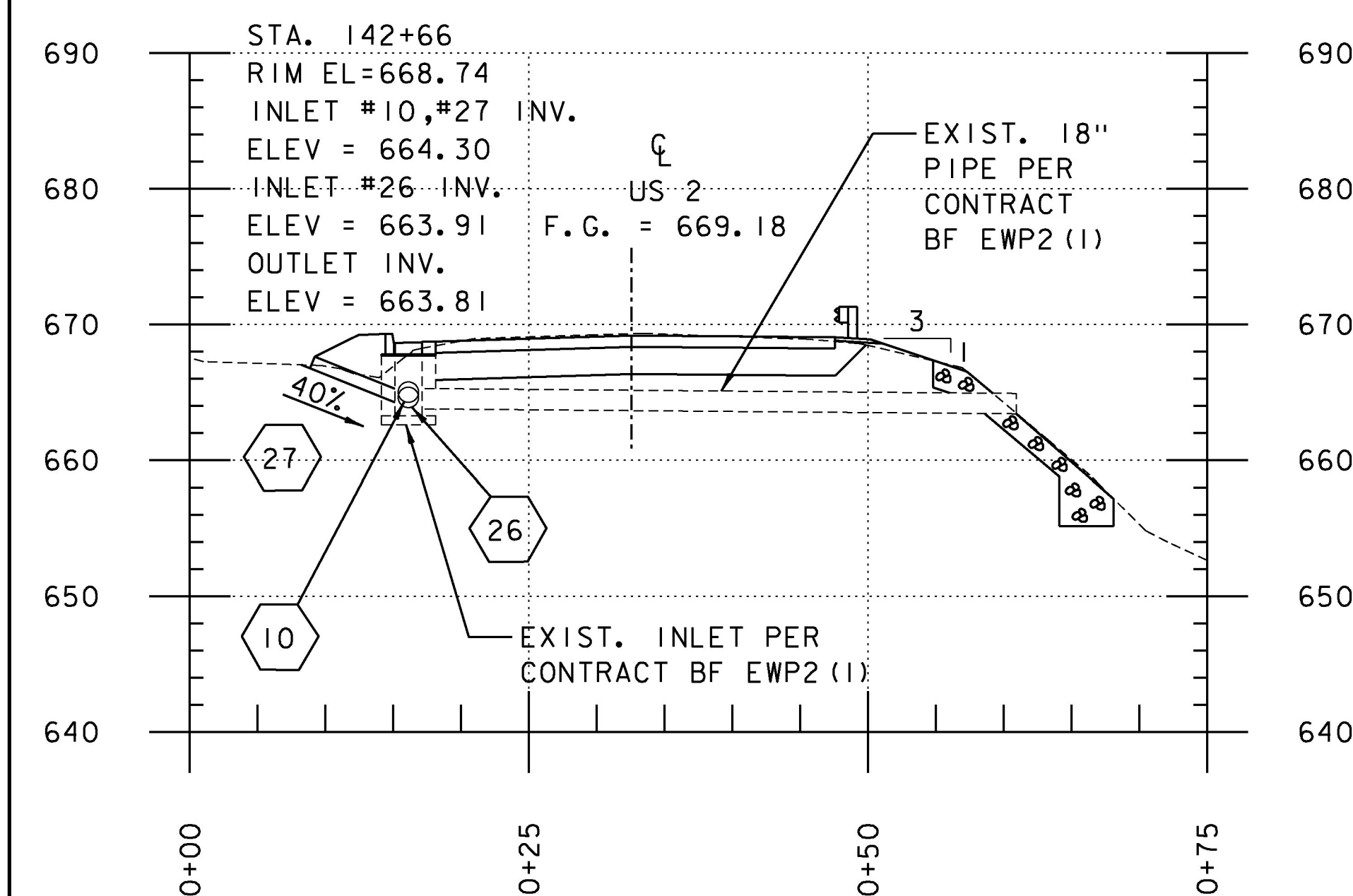


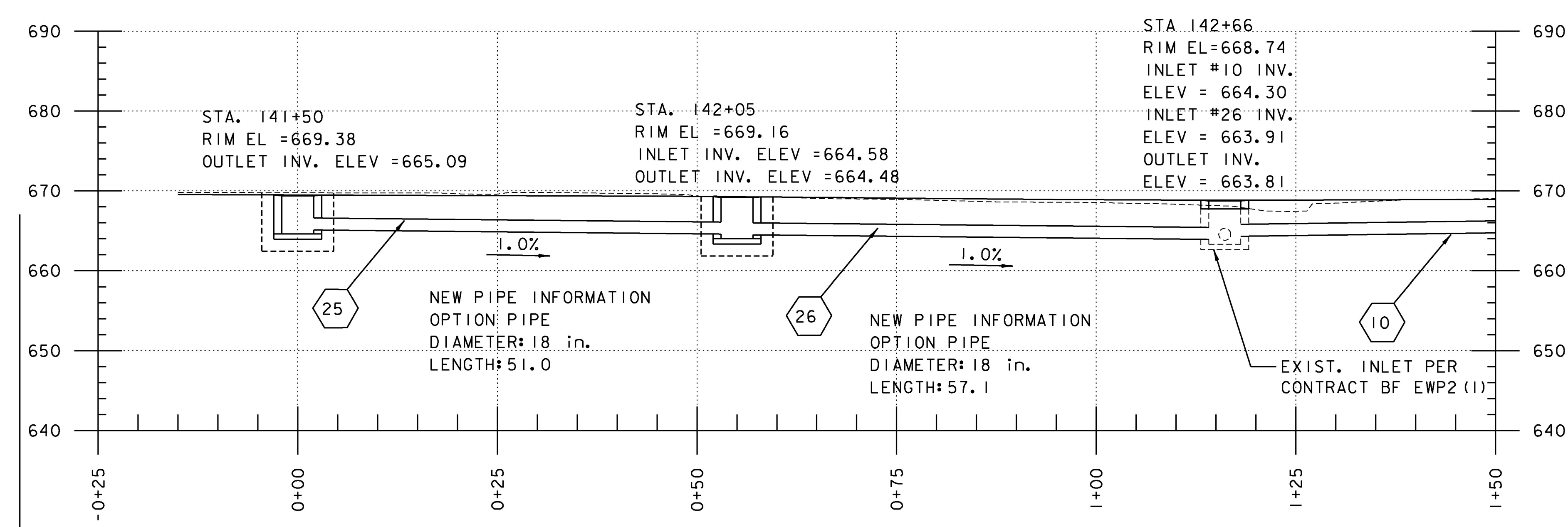
STA. 143+45 RT - 143+65 LT
EXISTING PIPE PROFILE
 (SEE SHEET DP 2 FOR PLAN)
 (FOR INFORMATION ONLY)



PIPE #10 PROFILE
 (SEE SHEET DP 2 FOR PLAN)

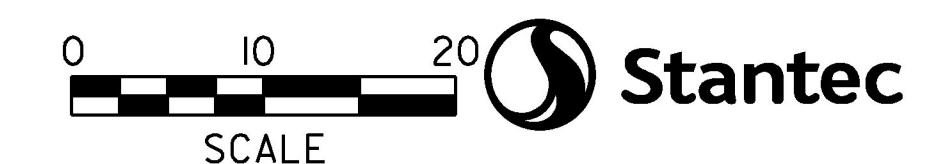


STA. 142+66
EXISTING PIPE PROFILE
 (SEE SHEET DP 2 FOR PLAN)
 (FOR INFORMATION ONLY)



PIPES #25 & 26 PROFILE
 (SEE SHEET DP 3 FOR PLAN)

NOTE:
 FOR CLARITY UNDERDRAIN IS NOT SHOWN IN PROFILES.
 ADJUST UNDERDRAIN AS REQUIRED TO AVOID CULVERTS
 DRAINAGE STRUCTURES.



PROJECT NAME:	EAST MONTPELIER
PROJECT NUMBER:	BRF 037-(17)
FILE NAME:	I9_Drainage profiles.dgn
PROJECT LEADER:	T. KNIGHT
DESIGNED BY:	K. RICHARDSON
DRAINAGE PROFILES DP 6	
PLOT DATE:	2/17/2017
DRAWN BY:	E. ALLING
CHECKED BY:	G. GOYETTE
SHEET	36 OF 158