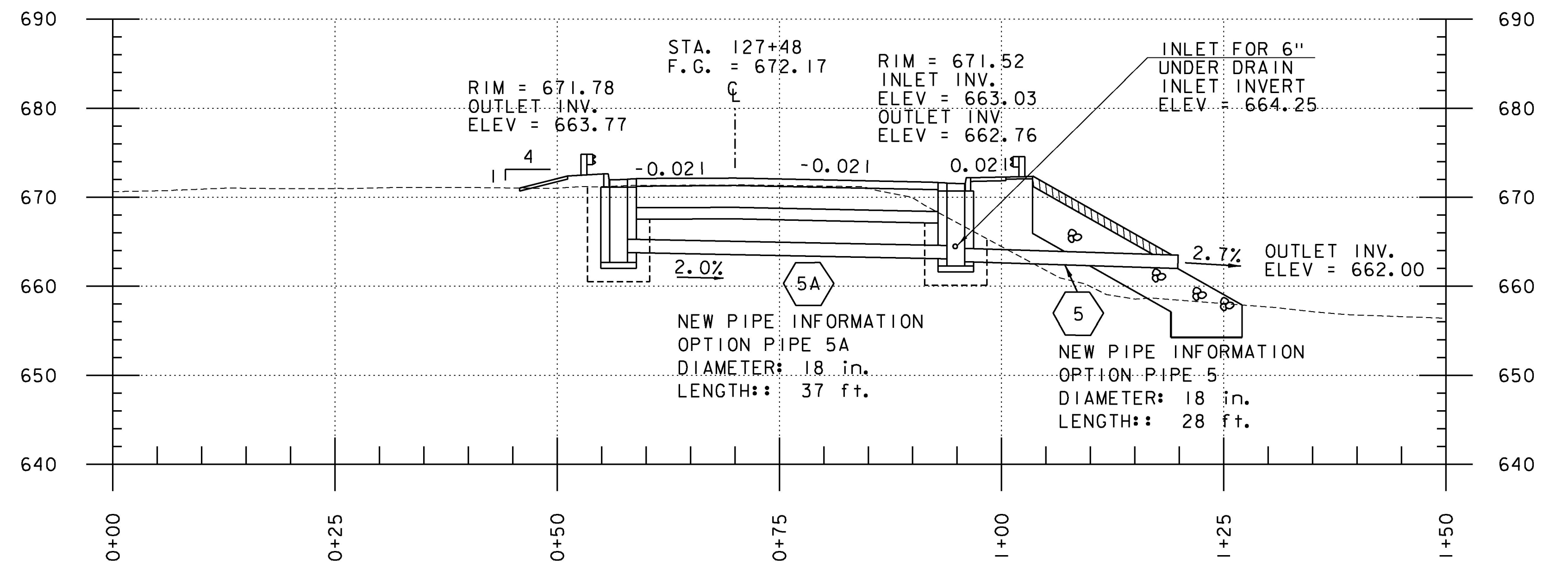
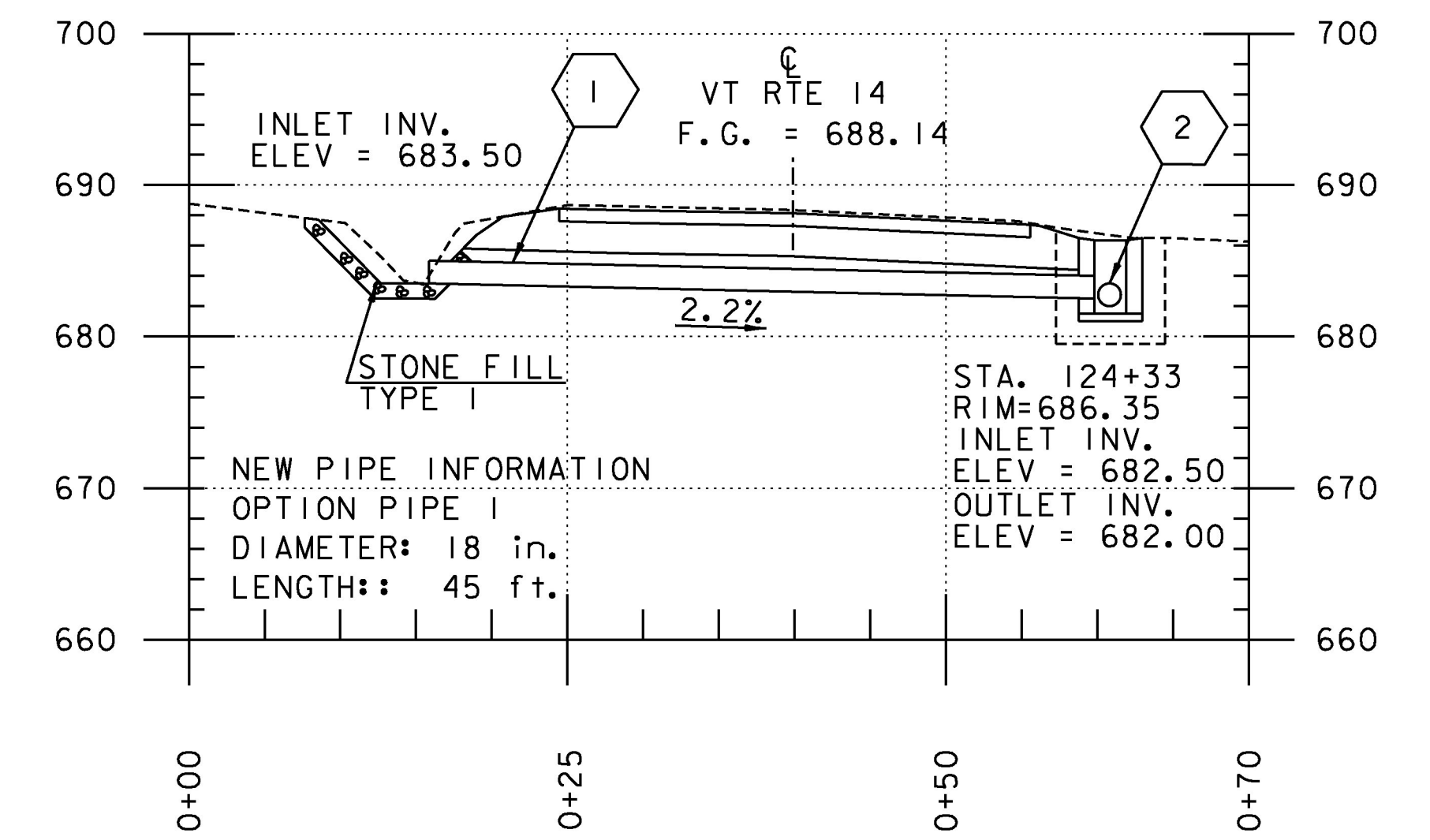


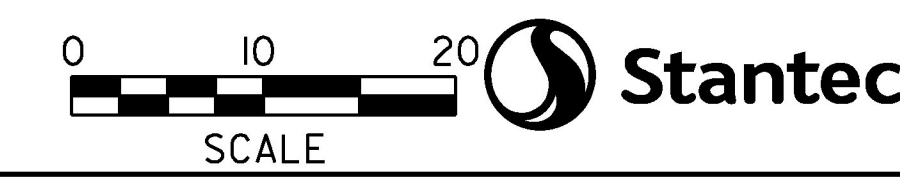
PIPE #2 PROFILE
(SEE SHEET DP 1 FOR PLAN)



PIPE #5 & 5A PROFILE
(SEE SHEET DP 2 FOR PLAN)



PIPE #1 PROFILE
(SEE SHEET DP 1 FOR PLAN)



PROJECT NAME: EAST MONTPELIER	PLOT DATE: 2/17/2017
PROJECT NUMBER: BRF 037-(17)	DRAWN BY: E. ALLING
FILE NAME: I9_Drainage profiles.dgn	CHECKED BY: G. GOYETTE
PROJECT LEADER: T. KNIGHT	SHEET 35 OF 158
DESIGNED BY: K. RICHARDSON	
DRAINAGE PROFILES DP 5	